



AMBIANCE®

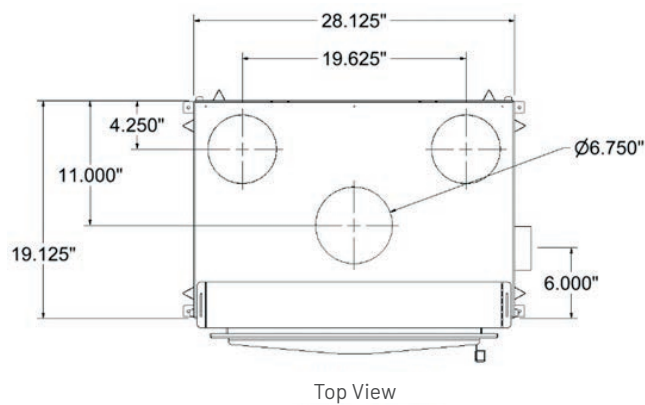
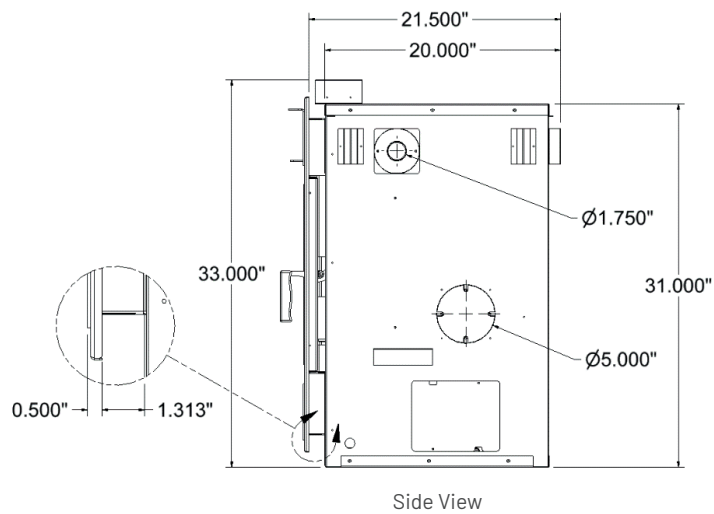
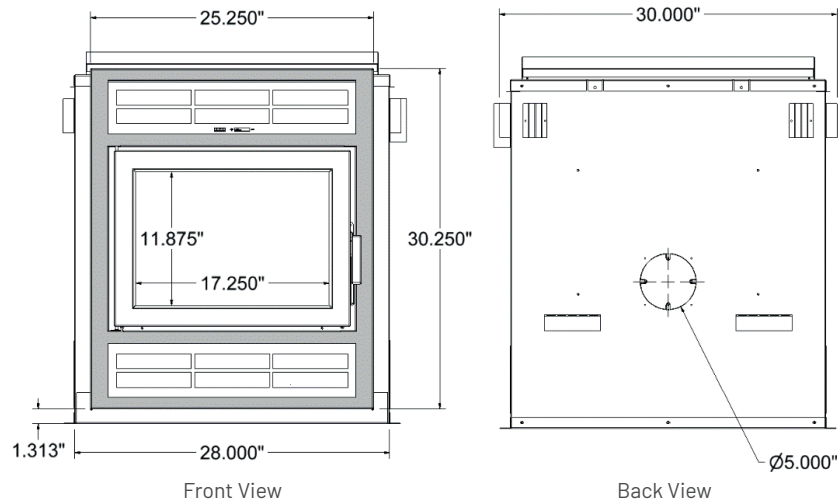
FIREPLACES | BBQ | OUTDOORS | SPAS

Elegance®
WOOD COLLECTION

Model: Elegance® 30

Overall Dimensions

With louvers





AMBIANCE®

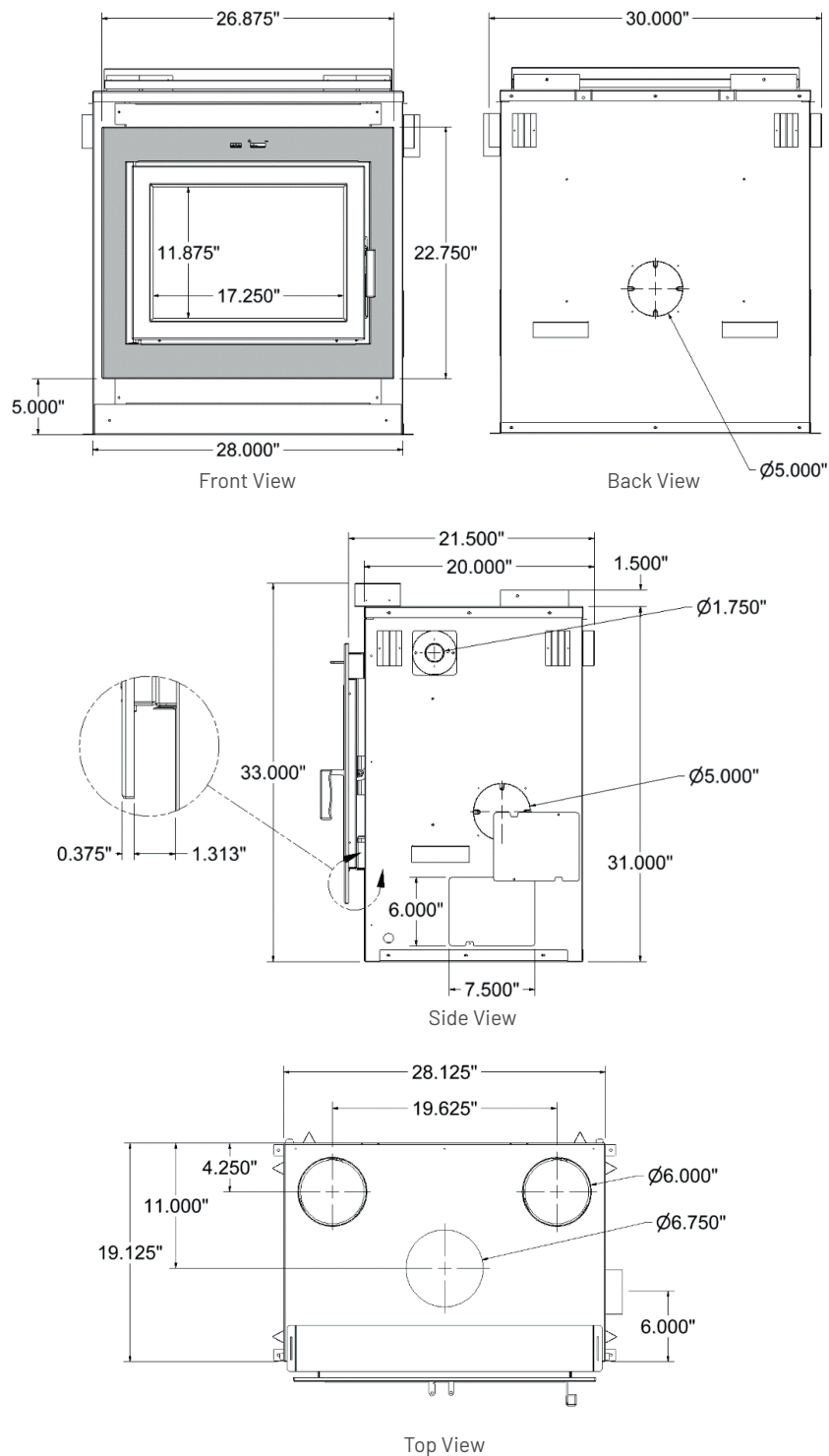
FIREPLACES | BBQ | OUTDOORS | SPAS

Elegance®
WOOD COLLECTION

Model: Elegance® 30

Overall Dimensions

Without louvers





Model: Elegance® 30

Specifications

BTU		FIREBOX		EFFICIENCIES			VENTING		
Cordwood	EPA	Cu. Ft	Log Length	g / hr	Optimal %	LHV	Type	Diameter	Brands
60,000	19,821	1.79	16"	1.2 g	75 %	NA	Class A	6-inch	All

GLASS			WEIGHT	DIMENSIONS			INCLUDED BLOWER	
Type	Dimensions	Area sq in	Lbs	Width	Depth	Height	Type	CFM
Ceramic	17.25" X 11.875"	204	280	30"	22"	33"	Variable Speed	2 x 165

Framing

The Elegance 30 can be placed directly onto or against normal, combustible construction materials such as lumber, plywood, millboard, particleboard, drywall, and decorative wood paneling. **WARNING: The fireplace should NOT be placed directly against or be in contact with an insulation material.** A portion of the framing on the face of the chase must be constructed with nominal 2» x 3» or 2» x 4» metal studs and the remainder can be constructed with nominal 2» x 3» or 2» x 4» lumber. Note that any framing exceeding the 1" lateral standoffs can be constructed of 2» x 3» or 2» x 4» lumber. Refer to Figure 3-11 for examples of a framing design based on the surround configuration. The framing must be nailed or screwed onto the floor and to the ceiling.

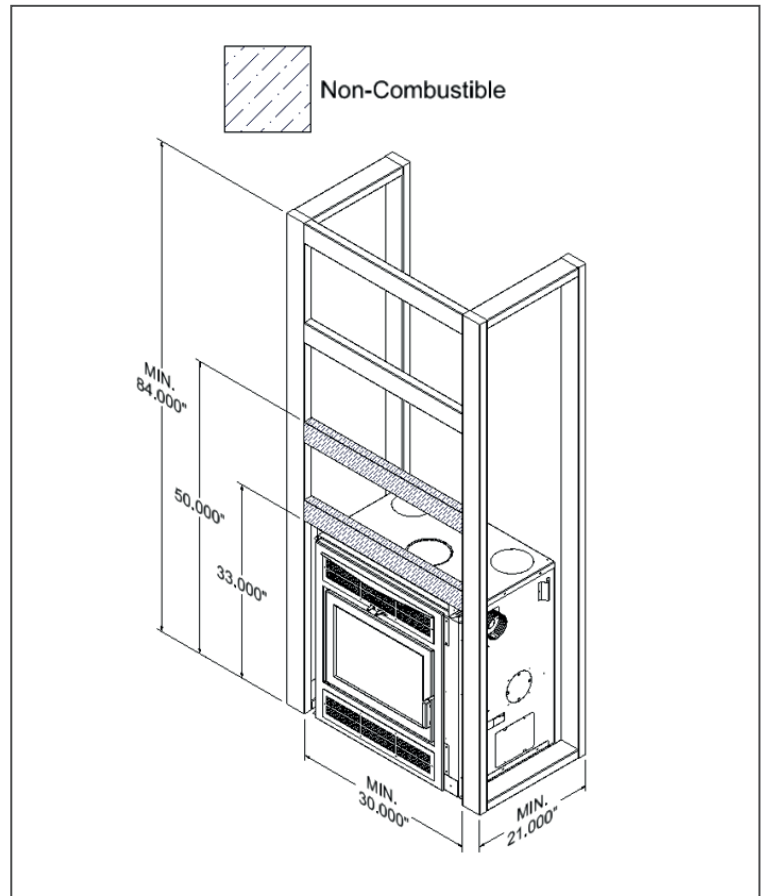
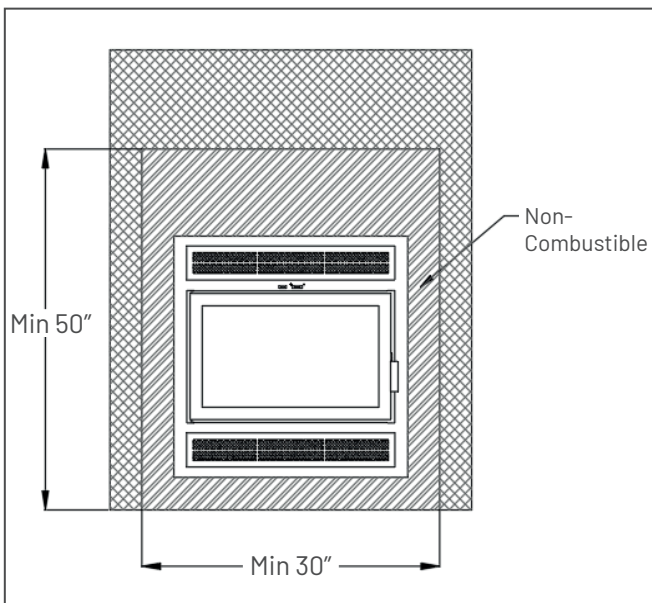


Figure 3-11: Elegance 30 Framing Design



Model: Elegance® 30

Installation

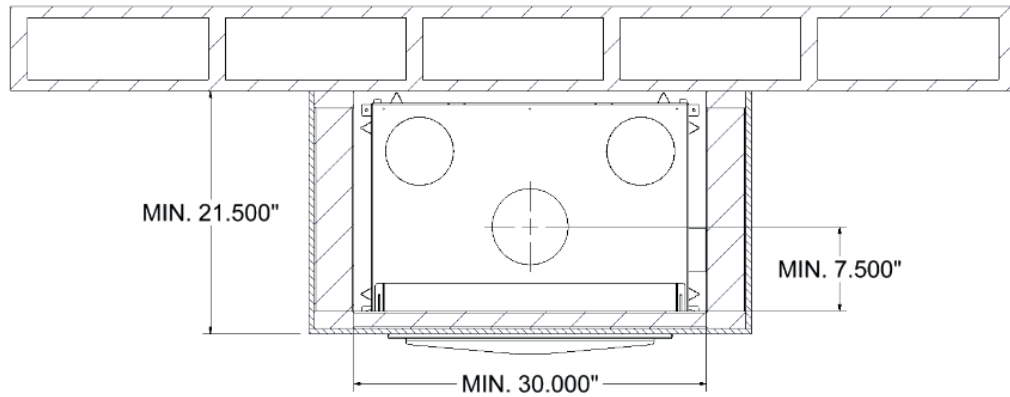


Figure 3-1: Straight Wall Installation

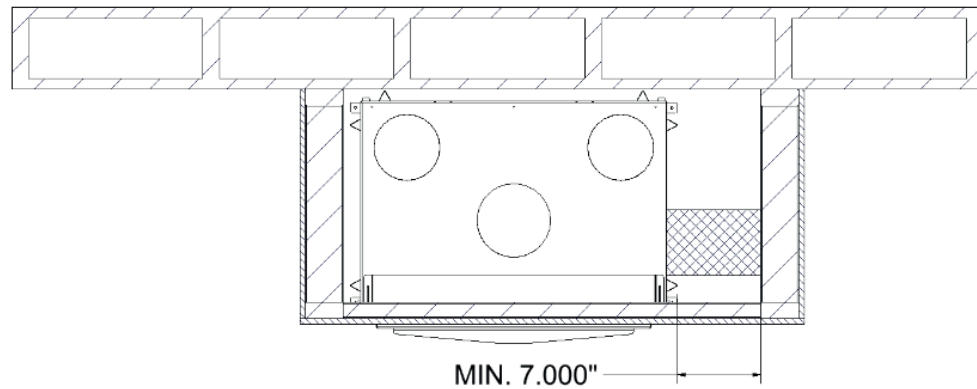


Figure 3-2: Space Requirement for Fresh Air Kit

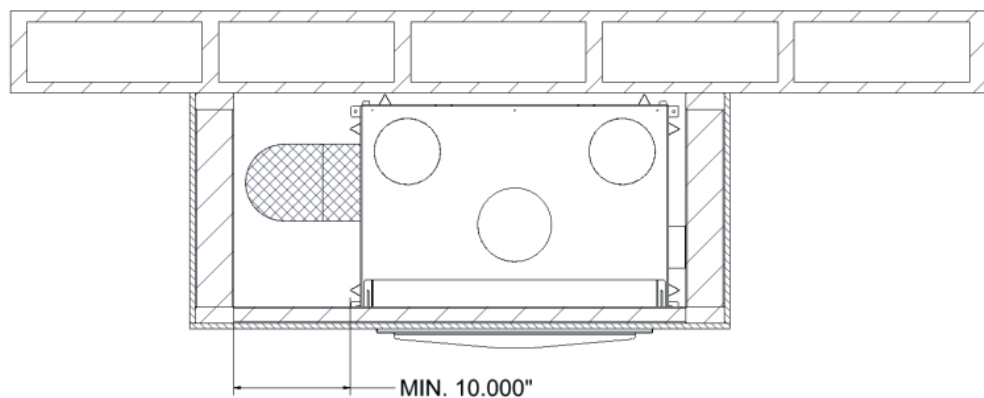


Figure 3-3: Space Required for Hot Air Distribution Kit



Model: Elegance® 30

Hearth Extension

The hearth extension of the Elegance 30 must comprise of a non-combustible material, such as steel, cement or mortar, bricks, or ceramic tiles. Note that unidentified materials may be combustible; verify product specifications prior to installation. The hearth extension must extend a minimum of 18" from the front of the door, a minimum of 8.625" from the outer edge of the door to the floor, 8" from side of the outer frame of the door and extended all the way to the unit (Figure 3-13 and Figure 3-14).

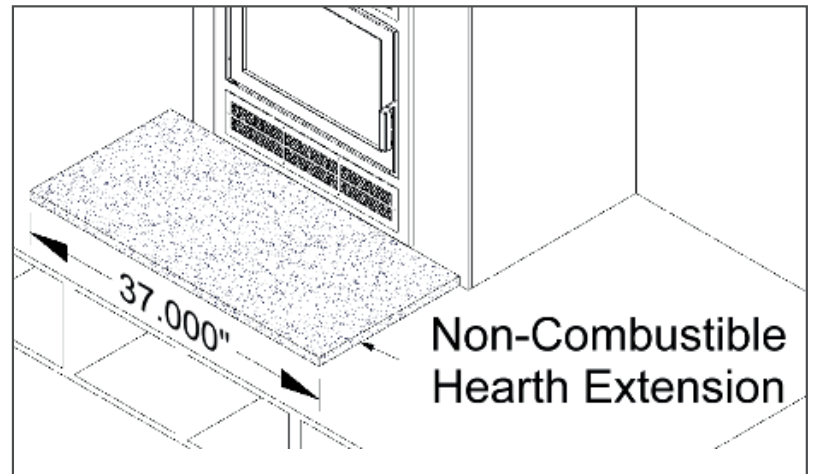


Figure 3-13: Elegance 30 Hearth Extension Isometric View

A sealing strip of non-combustible material must be installed under the Elegance 30 and the hearth extension. The sealing strip must cover the full length of the bottom exterior case of the fireplace and overlap a minimum of 2" of the fireplace and hearth extension (Figure 3-15); the minimum dimension of the sealing strip is 28.000" X 4.000". Note that sand-cement grout can substitute a sealing strip when installed between the fireplace and an on-site constructed hearth extension. **WARNING: Install the hearth extension and sealing strip as described in this section.**

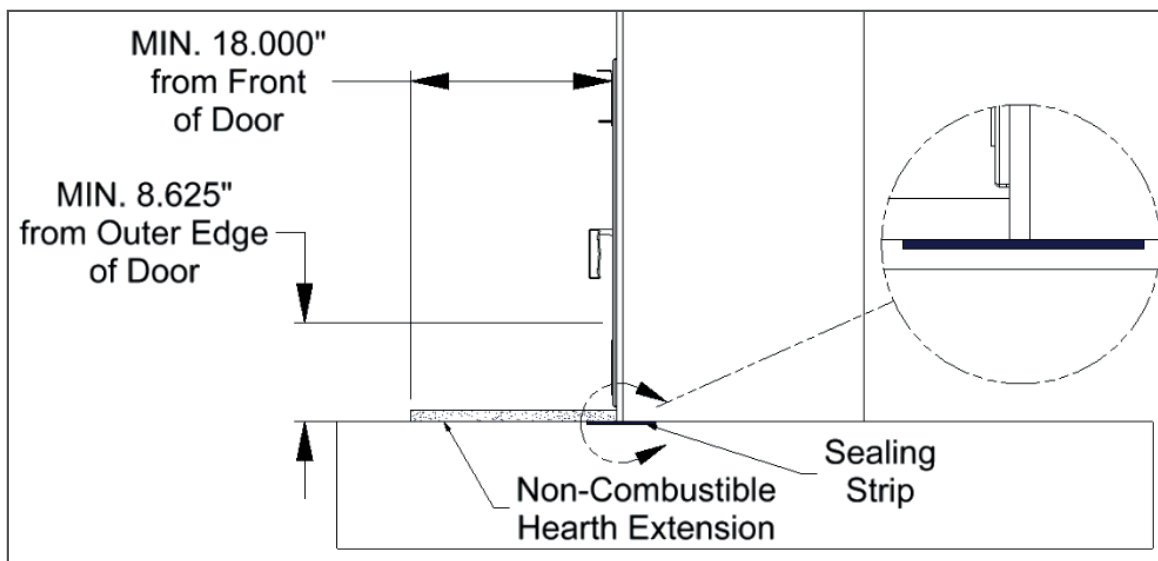


Figure 3-14: Elegance 30 Hearth Extension Side View

CAUTION: Make sure to remove any carpet or fabric under the hearth extension.



Model: Elegance® 30

Gravity Kit Installation

The Clean Face surround comprises no louvers; however, an intake into the chase and an outtake through gravity ducts is required for this configuration. The instructions below describe the installation of the intake openings, and the gravity ducts/ outtakes. Please note that the SUPREME KG560 kit is required for the Gravity Kit installation. Note that openings for the intake and the outtake are to be incorporated in the construction of the chase. Note that the duct adaptors are included in the Gravity Duct kits.

WARNINGS:

- The gravity ducts must extend upwards from the top of the unit and cannot exceed 10 feet.
- The ducts should never extend downwards; only upwards.
- The air outtakes must be installed at a minimum of 65" from the floor.
- The gravity ducts must not be connected to a central heating system.
- A clearance must be maintained between the gravity ducts and the chimney.
- The intake swivel covers at the bottom sides must remain open for all Contemporary Surround installations.

Table 3-5: KG560 Kit

DUAL LOUVER GRAVITY DUCTS			
ITEM	CODE	DESCRIPTION	QTY
1	LV4110	Louver Diffuser Assembly	2
2	UCAC6	6" Flex Insulated Duct	2
3 ^ø	LV4120	8" X 8" Grill	4
4 ^ø	CM3316	6" Duct Adapter	2
5	WG_CLAMP_6"	6" Worm Gear Clamp	4

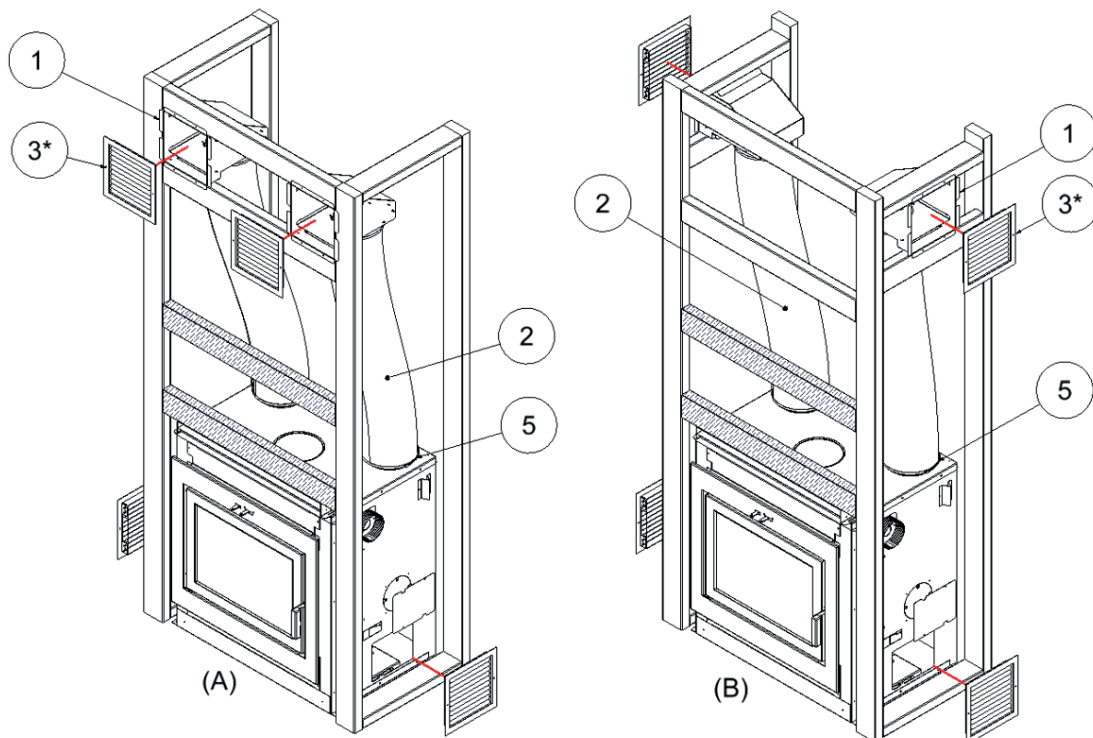


Figure 3-12: Elegance 30 6" Dual Gravity Duct Installation with Outtakes at (A) Front Wall and (B) Side Wall



Model: Elegance® 30

Gravity Kit Installation

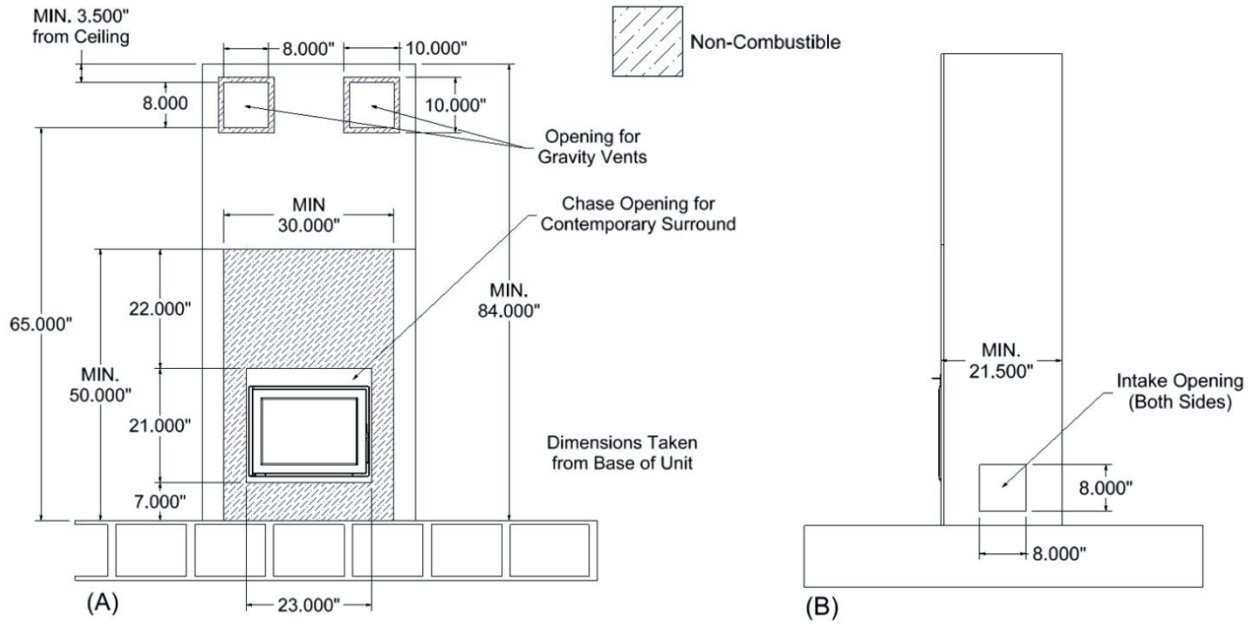


Figure 3-16: Chase Installation for Contemporary Surround with Outtakes at the Front - (A) Front View and (B) Side View

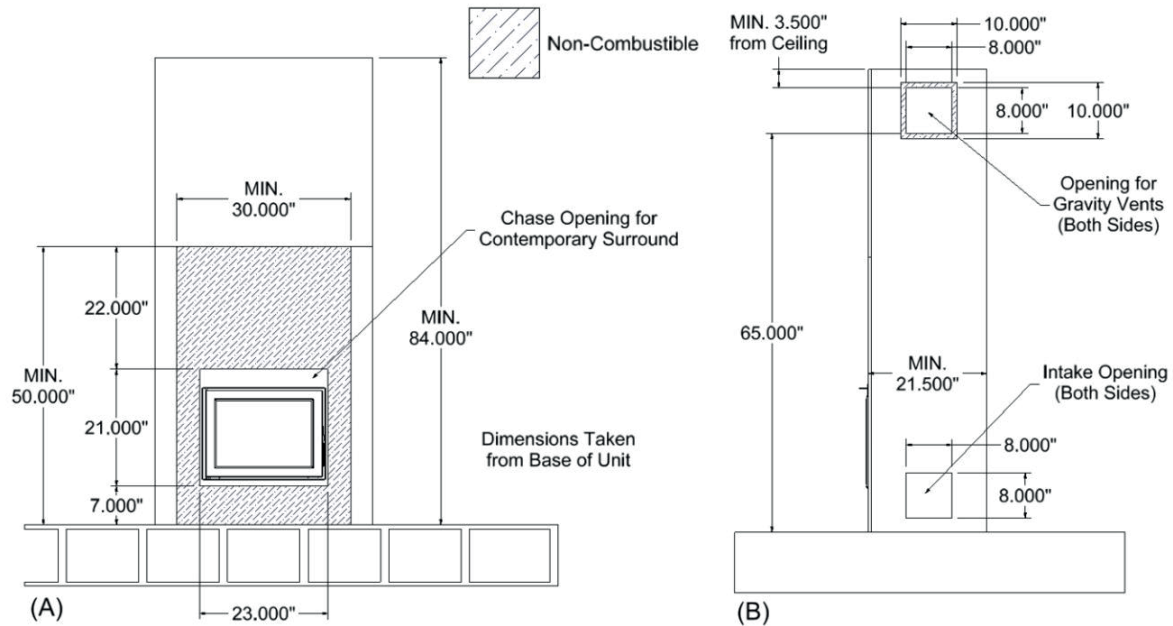


Figure 3-17: Chase Installation for Contemporary Surround with Outtakes at the Side - (A) Front View and (B) Side View



Model: Elegance® 30

Clearances to Combustibles

The clearances below must be respected to ensure safe operation of the unit under normal and extreme conditions. Failure to follow the information below is a safety hazard and may result in property damage.

Table 3-6: Overall Clearances

Combustible	Clearance	Reference
Side Wall	12" (305 mm)	Outer edge of fuel door
Side Trim	8.75" (222 mm)	Outer edge of fuel door
Ceiling	84" (2134 mm)	Base of unit

Table 3-7: Combustible Mantel Clearances

Maximum Mantel Depth	Distance from the Base of the Elegance® 36 to the Bottom of the Mantel
3" (76 mm)	38.75" (984 mm)
5" (127 mm)	40.75" (1035 mm)
7" (178 mm)	42.75" (1086 mm)

The depth of the mantel is measured from the face of the fireplace door. When the non-combustible wall is recessed, the depth of the mantel can be increased by the amount of the recess (see Figure 3-18). Note that a combustible mantel cannot be installed below the minimum clearance of 38.75" (from the bottom of the mantel to the base of the unit). A non-combustible mantel doesn't require a minimum distance from the fireplace.

WARNING: A minimum clearance of 48" is required between the doors of the Elegance 30 and any combustible material not specified in this document.

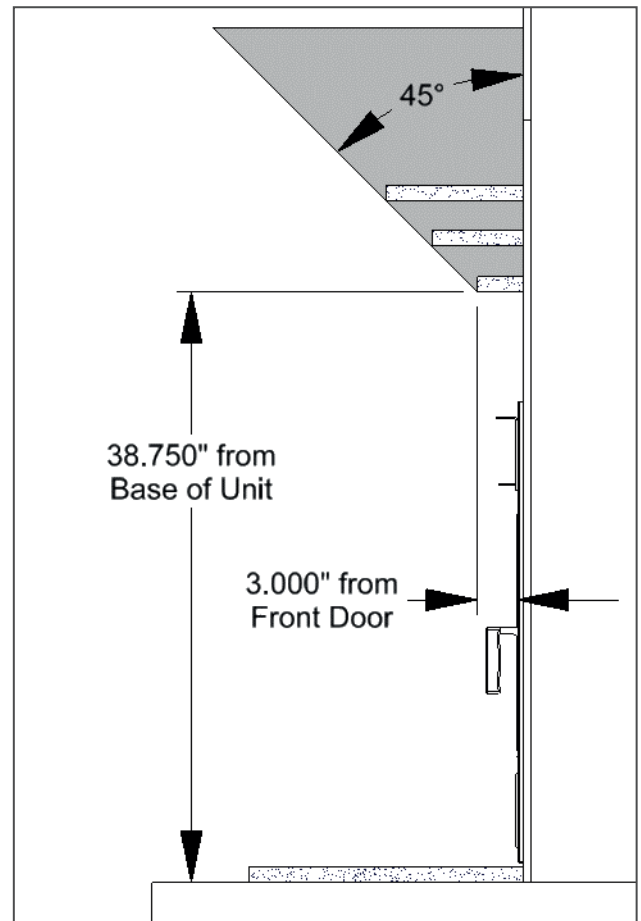


Figure 3-18 : Combustibles Mantel Clearances