

2024/25

PRESTIGE®

GAS SERIES



Prestige® 42

Indulge in Cozy Luxury



AMBIANCE®

FIREPLACES | BBQ | OUTDOORS | SPAS

PRESTIGE®



Prestige® 51

Whether hosting a glamorous cocktail party or enjoying a quiet evening, your Prestige® luxury gas fireplace, crafted with 270 years of Dutch expertise, becomes the centerpiece of unforgettable moments.

Imagine the unmatched flame realism, dancing, and flickering with mesmerizing natural beauty. This is the heart of the Ambiance® Prestige® Series. This luxury gas fireplace not only elevates your lifestyle but also has the power to transform your home into a haven of warmth and elegance.

Unleash your creativity by designing a fireplace that becomes an extension of your home's unique character. With its high energy efficiency, the Prestige® Series allows you to enjoy the luxury guilt-free, a testament to your commitment to sustainable living.





Prestige® 51

Indulge in Cozy Luxury

PRESTIGE®



FEATURES

DYNAMIC FLAME BURNER®

Experience the industry's first dual burner technology. Never compromise on realism again. Astonishingly lifelike flames will have guests mistaking your fire for wood-burning.

ECO WAVE

Reduce gas consumption by 50% without sacrificing the mesmerizing flame display. Enjoy a cozy fire, even in summer, without worrying about excessive fuel costs. Use the DRU Fire app or remote to adjust heat, flame intensity, and energy savings.

ECOGLOW

Experience warmth and ambiance even when your fire is off. EcoGlow LED lights create a realistic glowbed, mimicking the soft, natural warmth of a real flame. Whether your Dynamic Flame burner is on or off, EcoGlow provides an inviting, cozy atmosphere at the flick of a switch—energy-efficient and visually stunning, all in one.

DESIGN YOUR PERFECT FIREPLACE

Whether your style is classic or modern, DRU offers a fireplace to match your unique taste and space. Customize your dream fireplace to complement your home's interior perfectly.



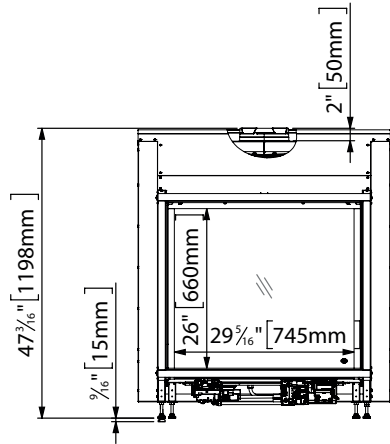
Prestige® 42 Tall



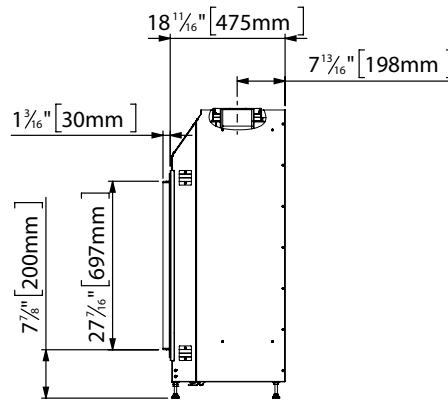


TECHNICAL SPECIFICATIONS

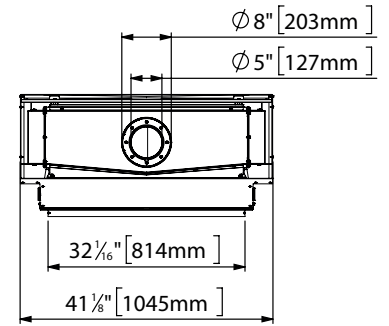
PRESTIGE® 42



Front View



Side View



Top View

| BTU | | | | EFFICIENCY | MINIMUM FRAMING DIMENSIONS | | | WEIGHT |
|--------|--------|--------|--------|--------------|----------------------------|-------|--------|--------|
| Max NG | Max LP | Min NG | Min LP | Steady State | Width | Depth | Height | Lbs |
| 40 600 | 44 700 | 13 400 | 11 300 | 76% | 45.25" | 19" | 88.5" | 459 |

| GLASS | | | OVERALL DIMENSIONS | | | VENTING | | |
|---------|--------------------|------------|--------------------|---------|---------|-------------|--------------------|------------------|
| Type | Dimensions | Area sq in | Width | Depth | Height | Type | Int./Ext. Diameter | Min./Max. Height |
| Ceramic | 29.3125" L x 26" H | 762 | 41.125" | 19.875" | 47.125" | Direct Vent | 5" / 8" | 3 Feet / 42 Feet |

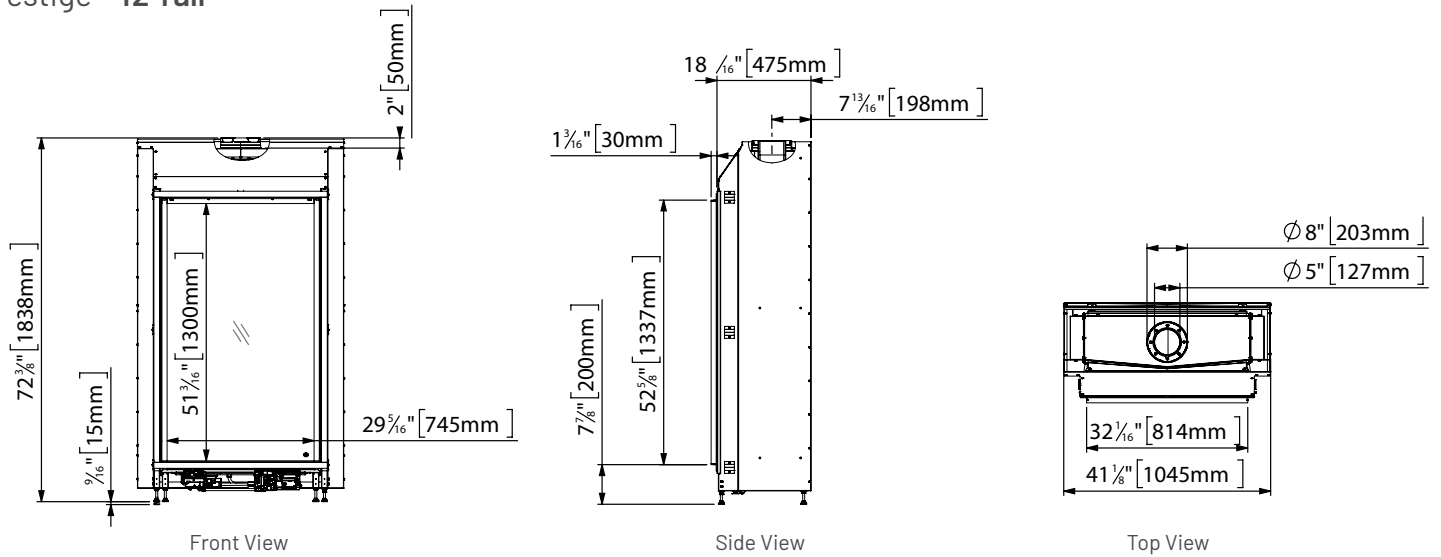


PRESTIGE®



TECHNICAL SPECIFICATIONS

Prestige® 42 Tall



| BTU | | | | EFFICIENCY | MINIMUM FRAMING DIMENSIONS | | | WEIGHT |
|--------|--------|--------|--------|--------------|----------------------------|-------|--------|--------|
| Max NG | Max LP | Min NG | Min LP | Steady State | Width | Depth | Height | Lbs |
| 31 400 | 27 990 | N/A | N/A | 77% | N/A | N/A | N/A | 644 |

| GLASS | | | OVERALL DIMENSIONS | | | VENTING | | |
|---------|-------------------------|------------|--------------------|---------|---------|---------|--------------------|------------------|
| Type | Dimensions | Area sq in | Width | Depth | Height | Type | Int./Ext. Diameter | Min./Max. Height |
| Ceramic | 29.3125" L x 51.1875" H | 1500 | 41.125" | 19.875" | 72.375" | Direct | 5" / 8" | 3 Feet / 42 Feet |

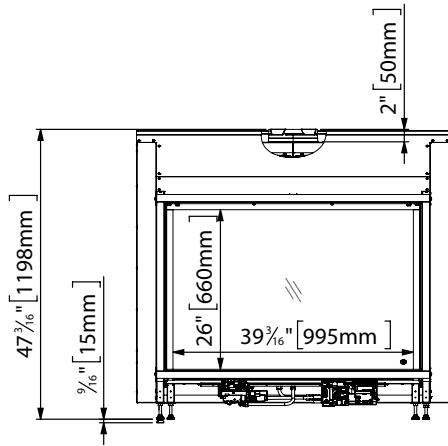


Prestige® 42 Tall

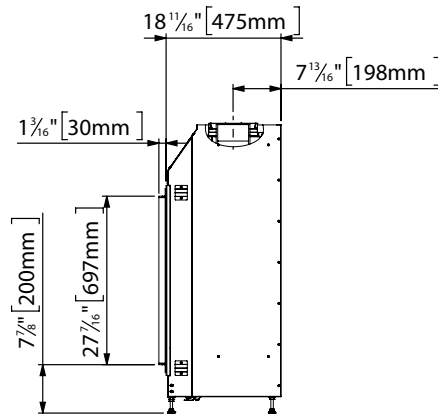


TECHNICAL SPECIFICATIONS

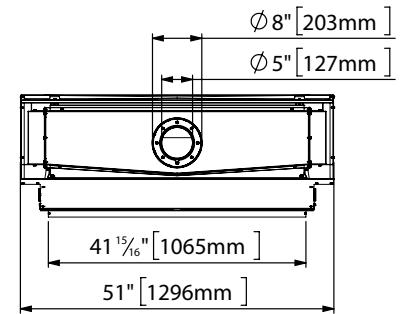
Prestige® 51



Front View



Side View



Top View

| BTU | | | | EFFICIENCY | MINIMUM FRAMING DIMENSIONS | | | WEIGHT |
|--------|--------|--------|--------|--------------|----------------------------|-------|--------|--------|
| Max NG | Max LP | Min NG | Min LP | Steady State | Width | Depth | Height | Lbs |
| 34 130 | 33 450 | N/A | N/A | 71% | N/A | N/A | N/A | 501 |

| GLASS | | | OVERALL DIMENSIONS | | | VENTING | | |
|---------|--------------------|------------|--------------------|---------|--------|---------|--------------------|------------------|
| Type | Dimensions | Area sq in | Width | Depth | Height | Type | Int./Ext. Diameter | Min./Max. Height |
| Ceramic | 39.1875" L x 26" H | 1018 | 51" | 19.875" | 47.19" | Direct | 5" / 8" | 3 Feet / 42 Feet |



WHY CHOOSE AMBIANCE®?

Ambiance® transforms a house into a home!

Ambiance® products will add elegance, peace of mind and comfort to the Soul of your home. All Ambiance® products are carefully selected and designed with your family in mind, to enrich the areas of your home where memories and life take place. The best quality and innovation are shown in the enhanced details and features that add a little «je ne sais quoi» in our Ambiance® designs.

Who are our designers? They are a network of over 300 Hearth & BBQ authorized members from coast to coast covering both Canada and USA. From Alaska to Québec and from Florida to California, they know what it takes to warm up your life and use their real-world experience to design quality and innovative products for your home.

Who can sell the Ambiance® products? Only our selected authorized dealers who are local professionals and who understand your local codes and standards.

A house needs a sense of Ambiance® to transform into a home.

*Ambiance®
the Soul of your home*



GAS FIREPLACES STANDARD FEATURES INCLUDES

- › Industry-leading flame realism with our dual burner technology
- › Eco Wave: Save up to 50% on gas without compromising beauty
- › EcoGlow: the LED lights that provide a realistic glowbed
- › Micro Mesh screen provides safe, effective heat protection
- › Ceraglass interior reflects and amplifies the flame's beauty
- › Future-proof design: Burns bio propane
- › Dutch-engineered, surpassing global standards for safety and sustainability
- › Complete peace of mind with our industry-leading warranty