



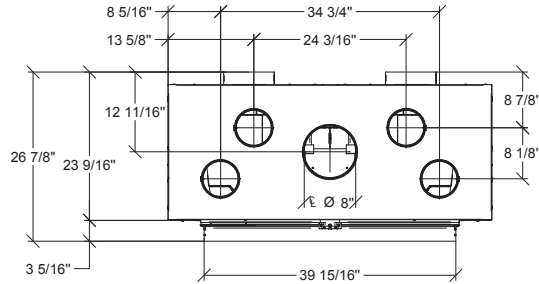
AMBIANCE®

FIREPLACES | BBQ | OUTDOORS | SPAS

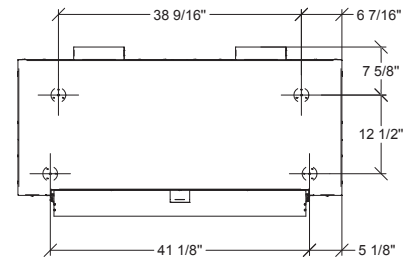
LUXUS®
WOOD SERIES

Model: LUXUS® 40 High

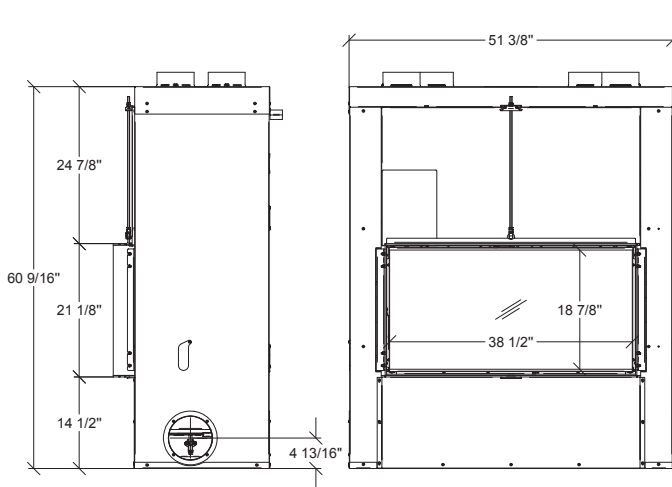
Specifications



Top view

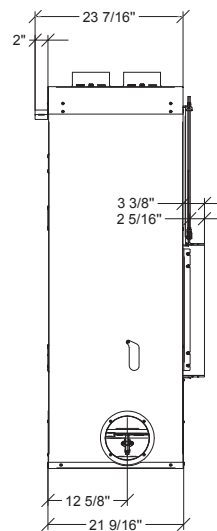


Top view

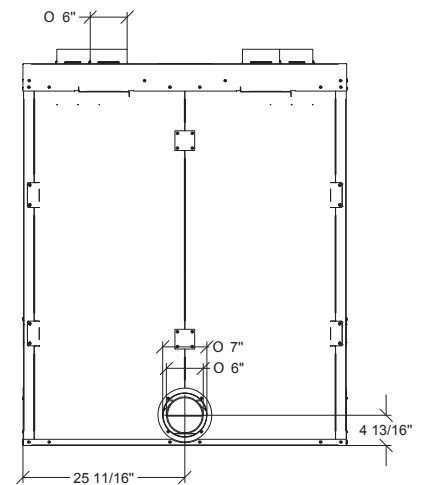


Side view

Front view



Side view



Back view

BTU		CHAMBRE À COMBUSTION		POIDS	CHEMINÉE		
Bois de corde	EPA	Pieds cubes	Bûches	Lbs	Type	Diamètre	Marques
46 000	Exempté EPA	4,28	18"	772	Classe A	8"	Selkirk, Security Chimneys, ICC RIS, Duravent

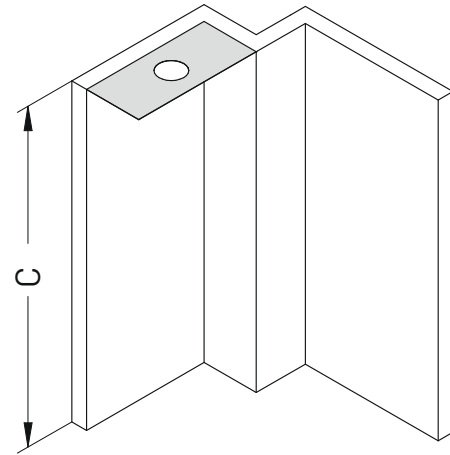
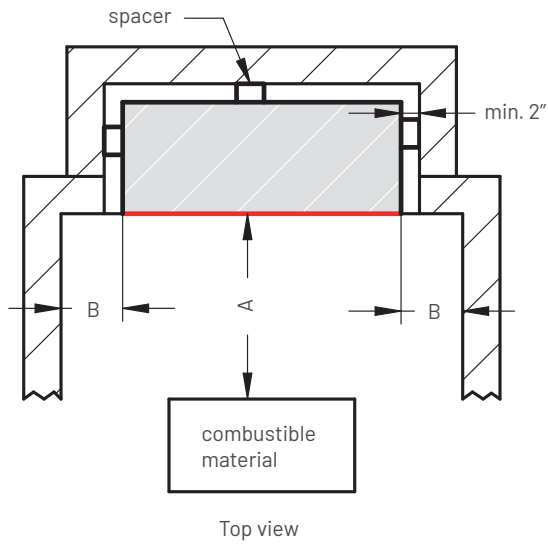
SECTION VITRÉE		DIMENSIONS			CIRCULATION D'AIR
Porte guillotine	Superficie	Hauteur	Profondeur	Largeur	Syst. air chaud à gravité
18,875" x 38,5"	727 po.ca.	60,56"	26,875"	51,375"	Requis

* All brands of chimney require their own anchor plates.

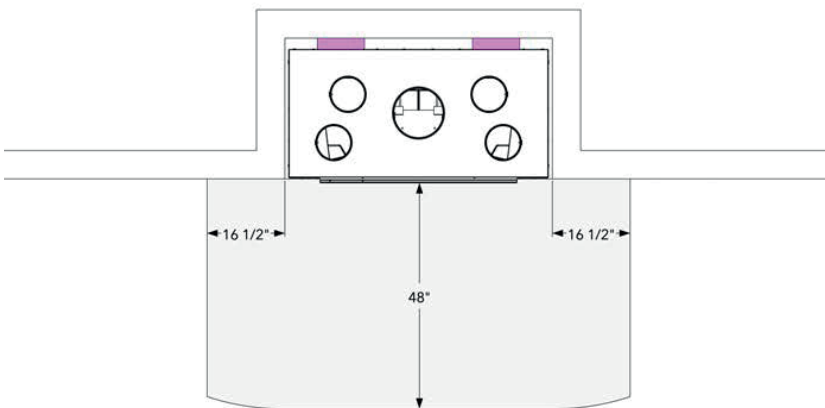


Model: **LUXUS® 40 High**

Distance to combustibles

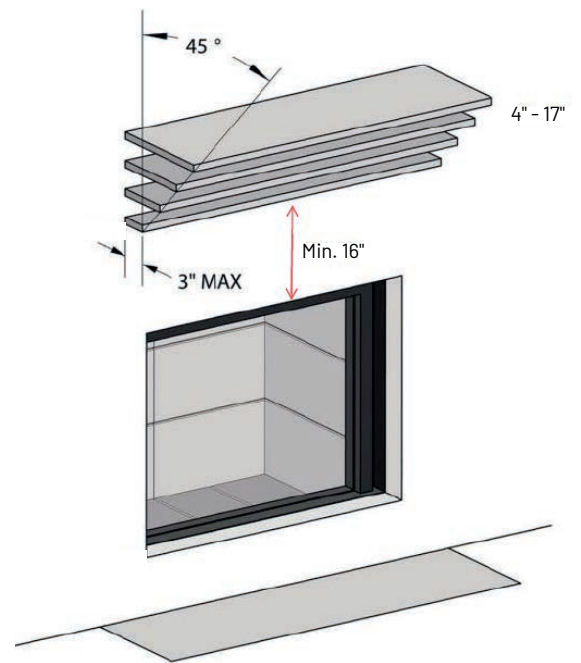


	A	B	C
Luxus® 40 High	48"	16.5"	84"



All Single Face Style Fireplaces
Minimum Distance to Combustibles
Example

= mandatory 2 inch spacer





AMBIANCE®

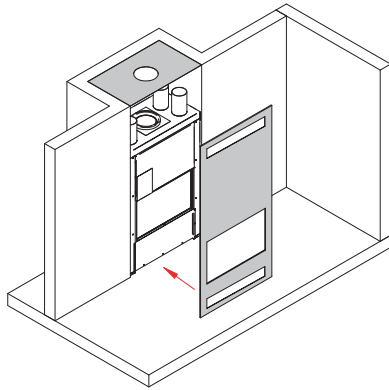
FIREPLACES | BBQ | OUTDOORS | SPAS

LUXUS®
WOOD SERIES

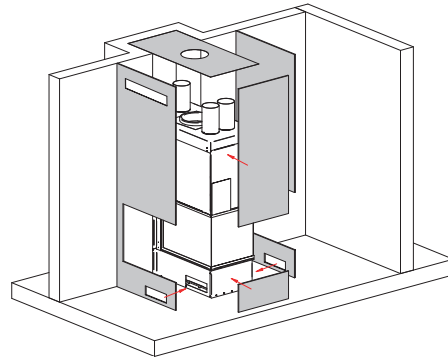
Model: LUXUS® 40 High

Installation

You must finish the front side of the fireplace using a cement board.



NOTE! Do only use non combustible materials 6 inch surrounding the convection air grills.

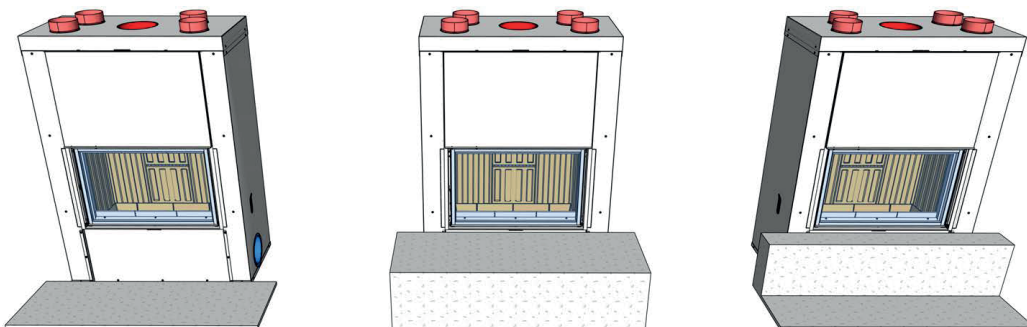
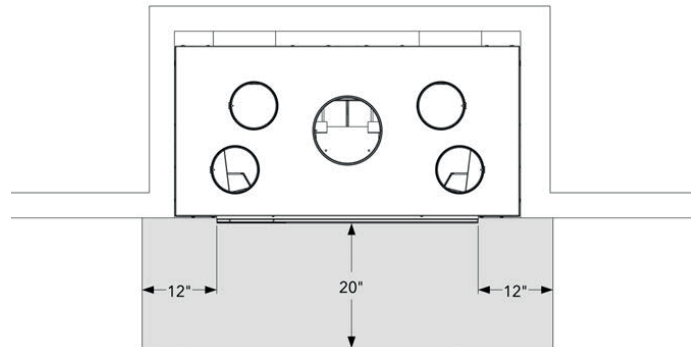


NOTE! All grey colored parts have to be non combustible!

Hearth extension

INSTALL THE HEARTH EXTENSION ONLY AS ILLUSTRATED!

A 20" x 12" (500 mm x 300 mm) minimum hearth extension made of non combustible material is required. Minimum dimensions of non-combustible hearth extension measured from door glass.





AMBIANCE®

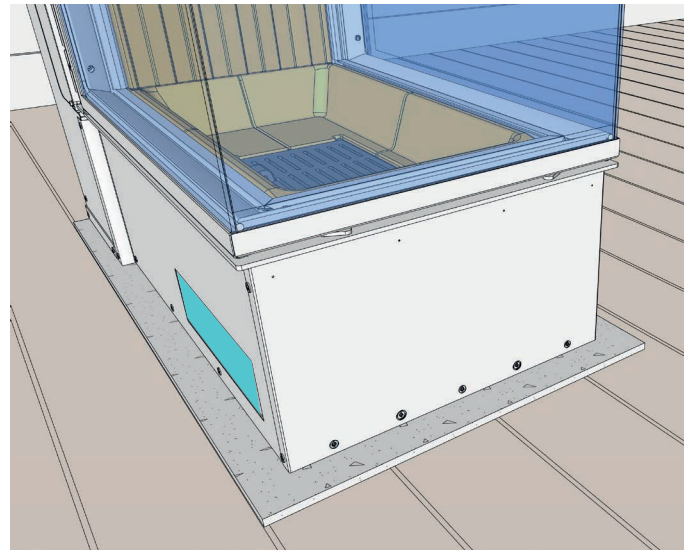
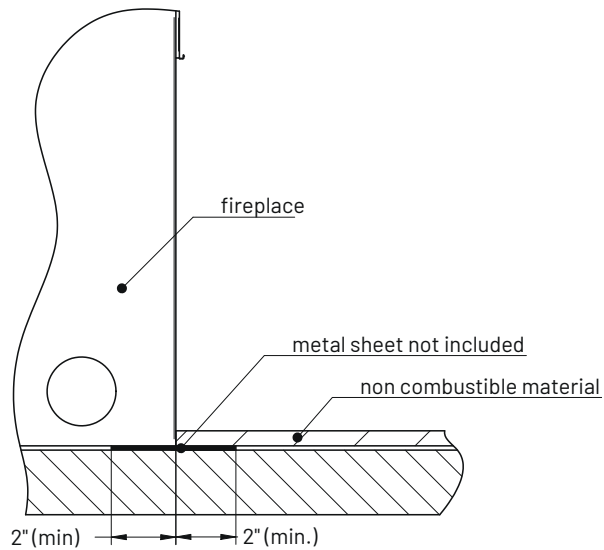
FIREPLACES | BBQ | OUTDOORS | SPAS

LUXUS®
WOOD SERIES

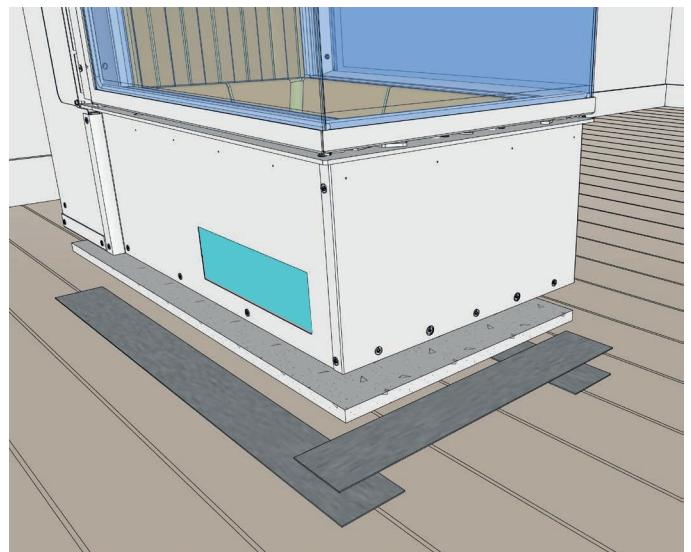
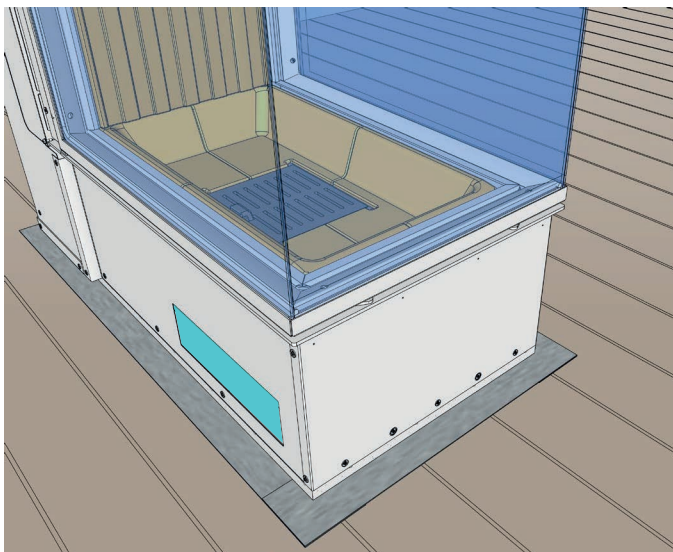
Model: LUXUS® 40 High

Hearth extension

To prevent any burning embers from coming in contact with the floor (between the fireplace and the hearth extension), insert a metal sheet under the front of the fireplace. This sheet must extend 4" (100 mm) on both sides of the fireplace and 2" (50mm) in front. You can also prevent embers from falling in the joint between the fireplace and the hearth extension by filling it with mortar grout.



Example: Luxus® Pier 28
½" cement board on floor



Example: Luxus® Pier 28 On Floor
½" cement board and metal ember strip

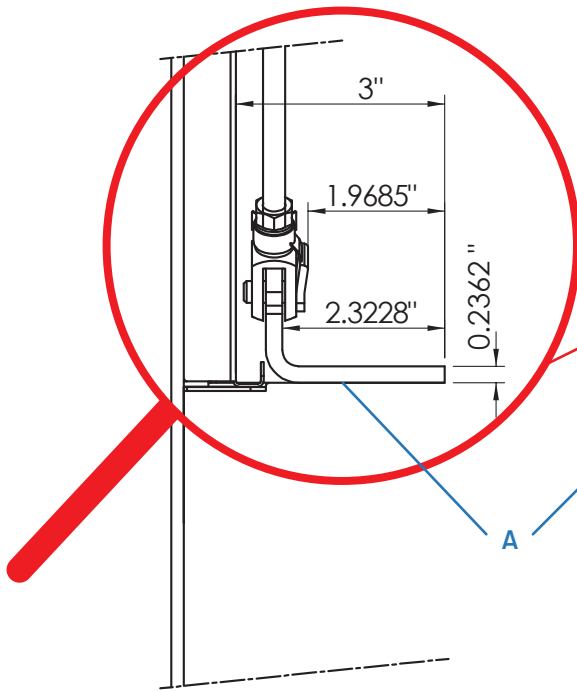


Model: LUXUS® 40 High

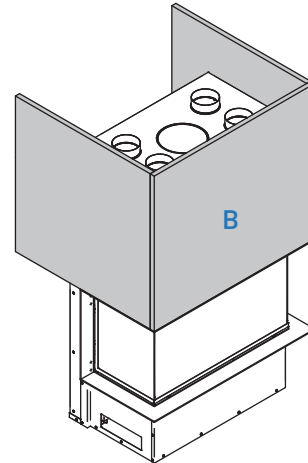
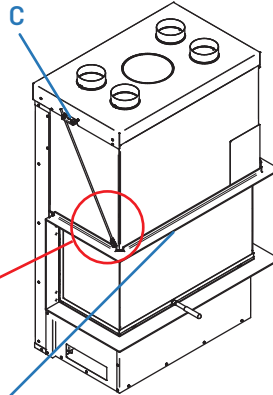
Frames

Frames available for all units.

Sliced View of the ledge

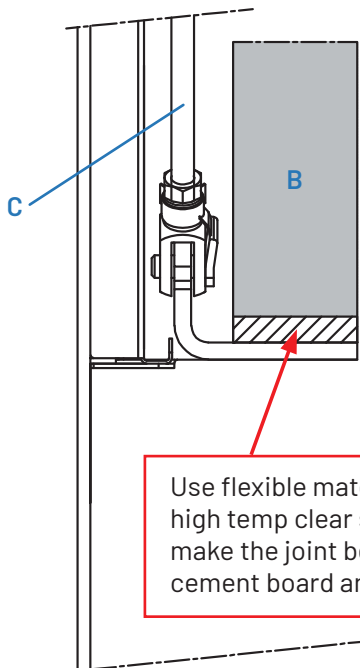


The integrated 'L' shaped ledge (A) can receive the non-combustible finishing (B) of your choice. Up to 300 lbs of material. It can be leveled by adjusting the long rods (C) on both sides of the fireplace.



ATTENTION! All «grey shaded area» must be non-combustible.

ATTENTION!
maximum load **300 Pounds**



Use flexible material, such as high temp clear silicone, to make the joint between the cement board and the steel trim

A	'L' shaped ledge
B	Non-combustible finishing material
C	Leveling rods



AMBIANCE®

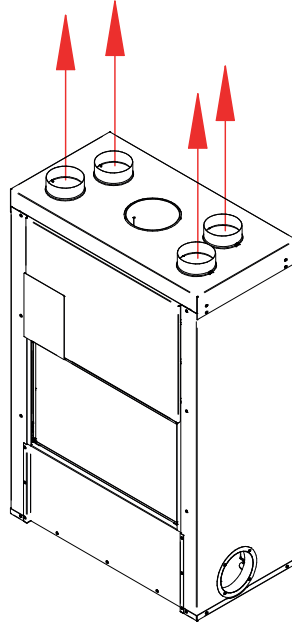
FIREPLACES | BBQ | OUTDOORS | SPAS

LUXUS®
WOOD SERIES

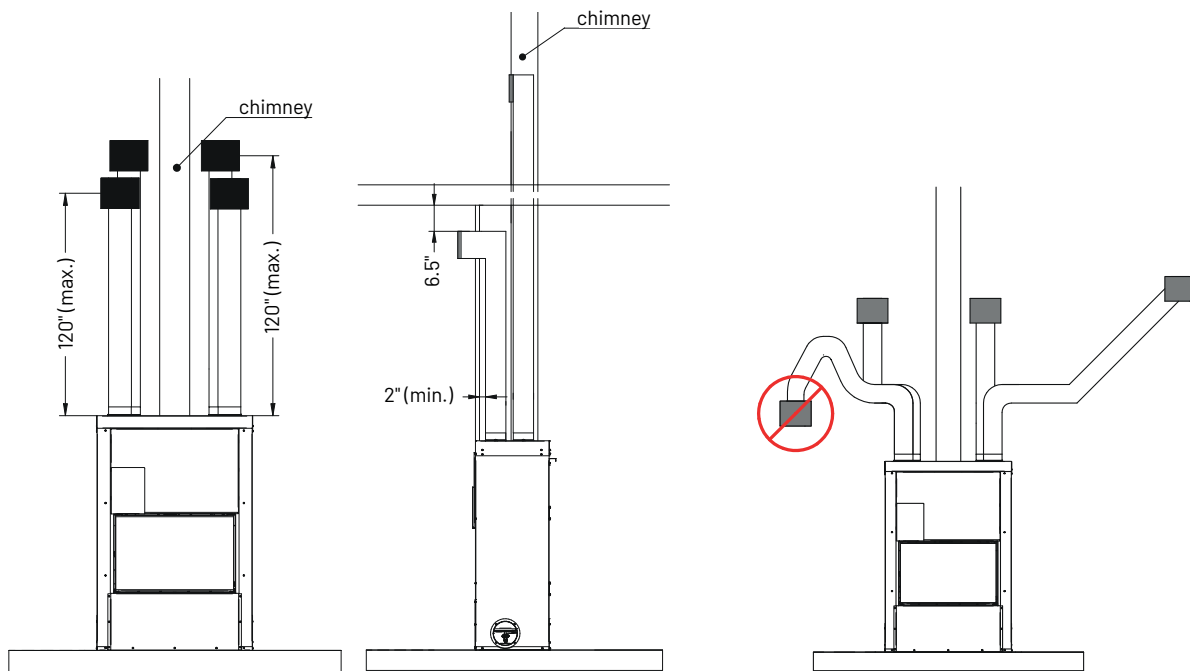
Model: LUXUS® 40 High

Minimum clearances to combustibles for convection air grills

Connect at least 4 gravity outlets 6 inch diameter to the convection air outlet ports.



The minimum distance between the convection air grills and the ceiling or other combustibles is 6.5 inches. Only use non combustible materials 6.5 inch surrounding the convection air grills.



For installation use flexible aluminium liner with 1 inch insulation.

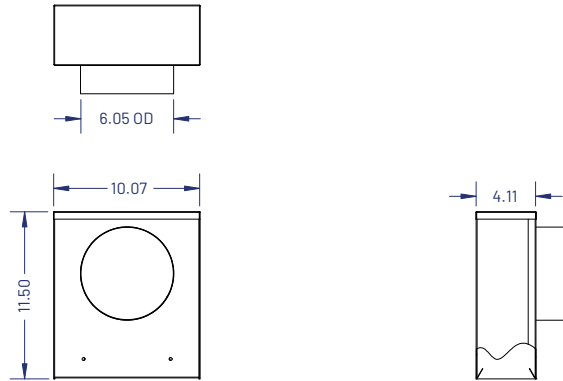
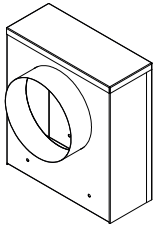
The Gravity Distribution Kit may be used to heat rooms located above, behind and either side of the room where the fireplace is located. Note that, if the hot air outlets are located at various levels, the heat will tend to seek the one at the highest level. It is not permitted to connect two ducts together.



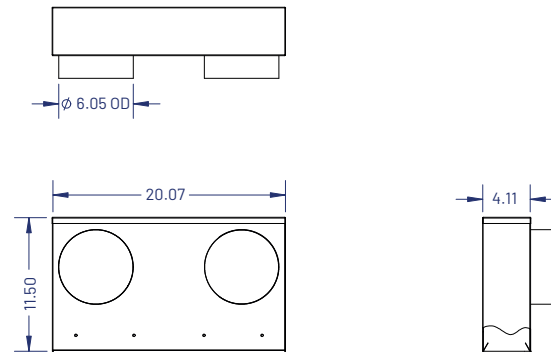
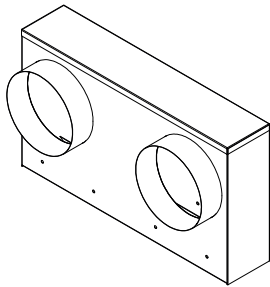
Model: **LUXUS**[®] 40 High

Convection Air Distribution (Plenums)

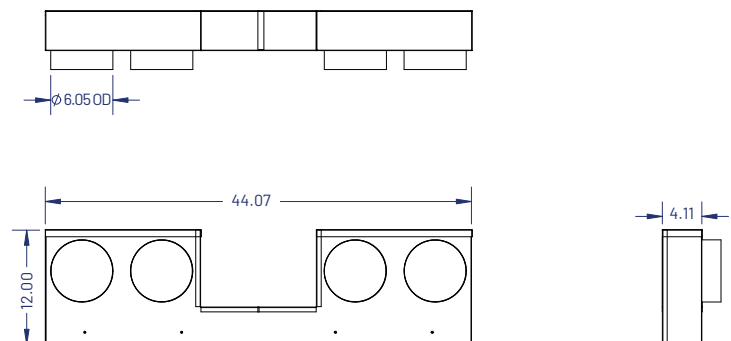
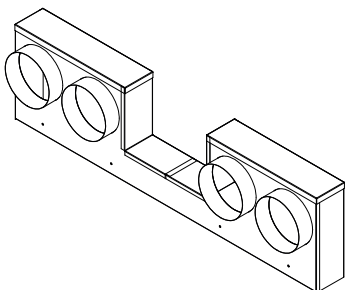
One Inlet Plenum



Two Inlets Plenum



Four Inlets Plenum

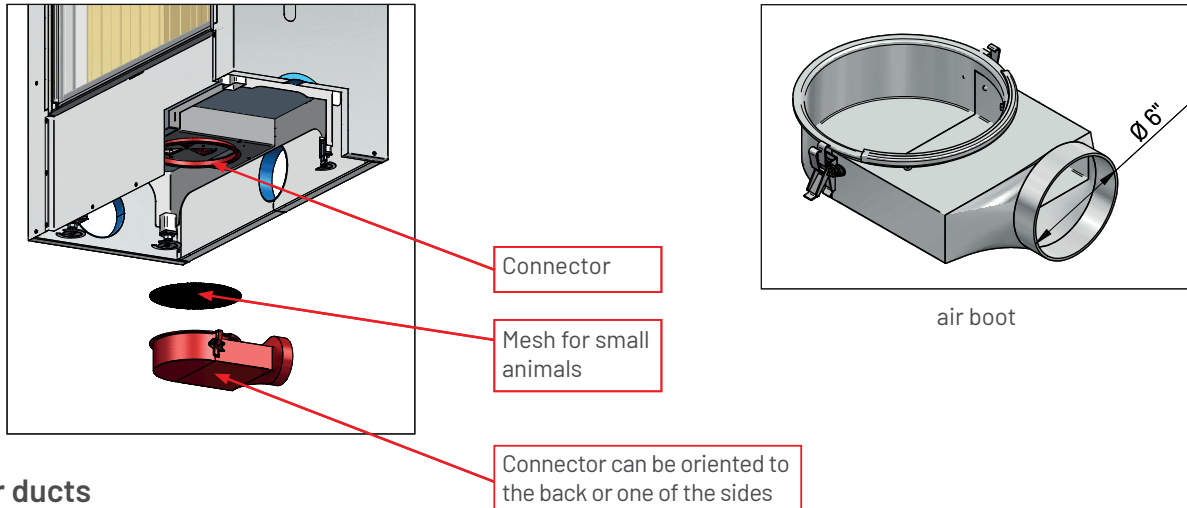




Model: LUXUS® 40 High

Fresh air intake

To connect the fresh air directly to the firebox, it is recommended to use the 'air boot' combustion air connector Ø 6" (A # 1018173). Mount the connector directly to the unit. It must be oriented to the back or one side (left for 'Corner Right' units, and right for 'Corner Left' units).

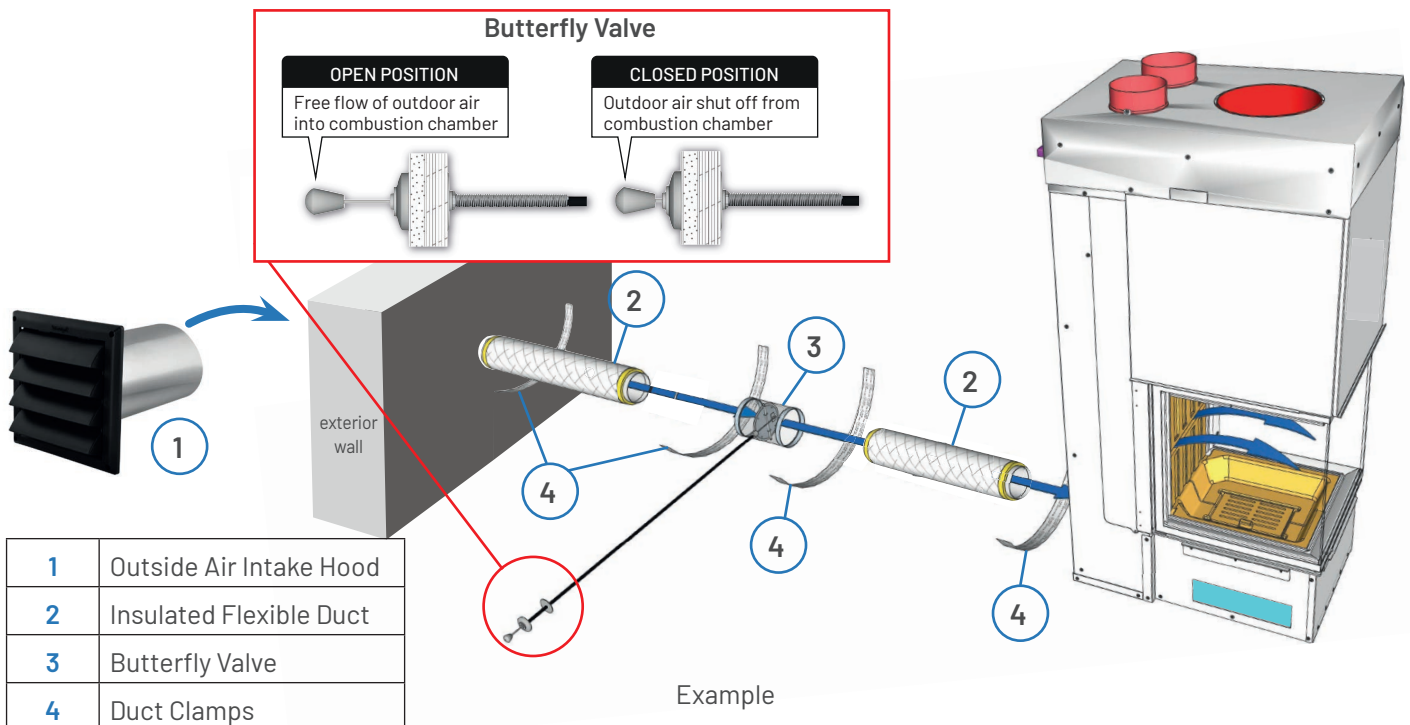


Fresh air ducts

The fresh air ducts should be kept as short as possible to prevent pressure loss and to prevent cold from coming in.

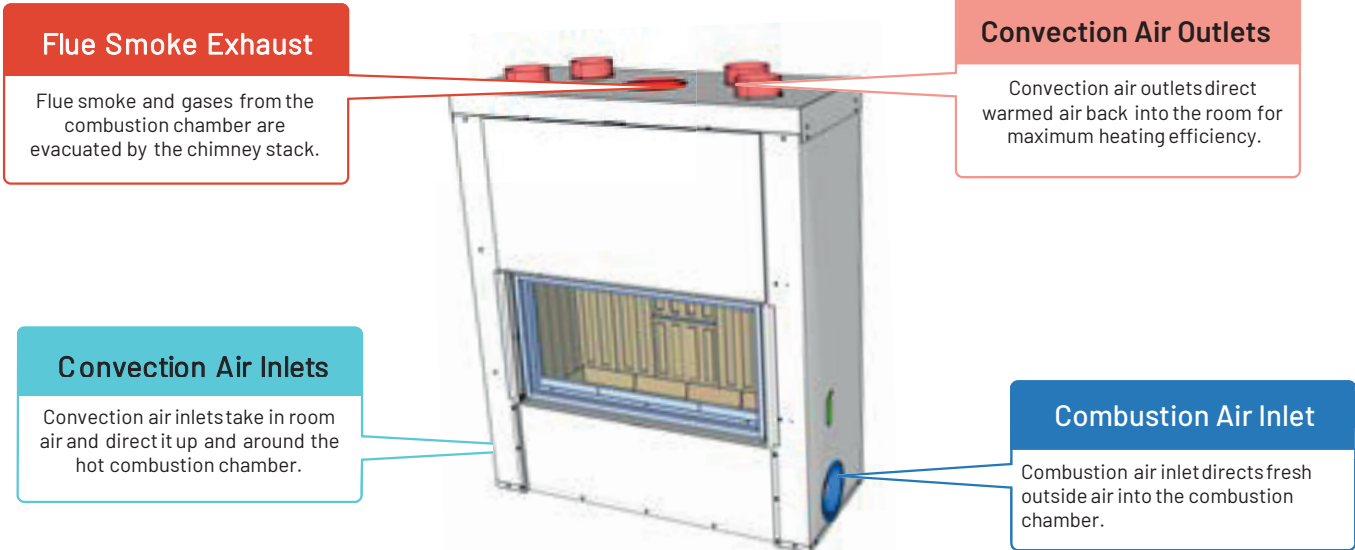
Butterfly valve

If you decide to connect separate combustion air it is recommended to install a butterfly valve to prevent condensation and avoid cold air from coming in when the fireplace is not in use. It should ideally be located as close as possible to the outside wall. It can be controlled from inside if it is not too far from the stove (cable length = 47"). DAMPER MUST BE FULLY OPEN WHEN FIREPLACE IS OPERATIONAL.



Model: LUXUS[®] 40 High

Inlet & Outlet



SEE-THROUGH	Combustion Air Inlet	Flue Smoke Exhaust	Convection Air Inlets	Convection Air Outlets
Luxus [®] 40 High	Under Mount Connector	Ø 8"	two @ Ø 6"	four @ Ø 6"

Chimney installation

This fireplace is designed and approved for installation with the following brands of chimneys measuring 10" (250 mm) in diameter as well as a minimum of 15' (4.6 m) and maximum of 45' (13.5 m) in height. (The anchor plate is not included with the unit. Use only a chimney certified as UL 103HT or ULC S-629.)

Chimney Manufacturer	Brand	Type	Tested and Listed to	Inner Diameter
Security chimney	Secure Temp S2100+	2" Solid Pack	ULC-S629M	8"
Selkirk	Super Vent 2100 (JM)	2" Solid Pack	ULC-S629M	8"
Selkirk	CF Sentinel (CF)	2" Solid Pack	ULC-S629M	8"
DuraVent	DuraTech Premium DTP	2" Solid Pack 8"	ULC-S604, ULC-S610	8"
	DuraTech DT	1" Solid 10"	ULC-S604, ULC-S610	10"
Security chimney	Secure Temp ASHT+	1" Solid Pack	ULC-S604, ULC-S610	10"
ICC chimney	RIS	1" Solid Pack	UL-103 HT	10"

Chimney Manufacturer	Components	Type / Brand	Part Number / Product Code
Selkirk	Must have rafter protectors at the roof level if the chimney is enclosed at the attic level	Super Vent 2100	JSC8RRS (8")
		CF Sentinel	
Security chimney	Rafter protector at the roof level if chimney is enclosed at the attic level	Secure Temp ASHT+	Ref. 8FR (8")
		Secure Temp S2100+	Ref. 10FR (10")
	Requires insulated attic radiation shield unless chimney is enclosed at the attic level	Secure Temp S2100+	Ref. 8XRS (8")
		Secure Temp ASHT+	Ref. 8RSA2 (8") Ref. 8XRSA2 (10")
DuraVent	Roof radiation shield	Secure Temp ASHT Secure Temp S2100	ref. 8fr(8") ref. 10fr(10") ref. 8XRS(8")
	Attic insulation shield	Secure Temp S2100 Secure Temp ASHT	ref. 8RSA2(8") ref. 8XRSA2(8") ref. 8XRSA2(8") ref. 8XRSA2(10")



AMBIANCE®

FIREPLACES | BBQ | OUTDOORS | SPAS

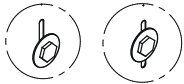
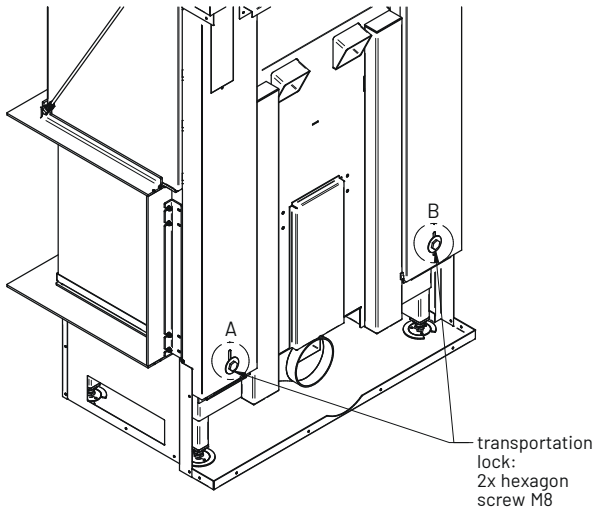
LUXUS® WOOD SERIES

Model: LUXUS® 40 High

Transportation locks

Unlock transportation lock

Once the fireplace has been taken off the crate, unlock the counterweights using a socket-wrench size 13mm or 1/2". Remember to perform this operation before inserting the fireplace into the enclosure.

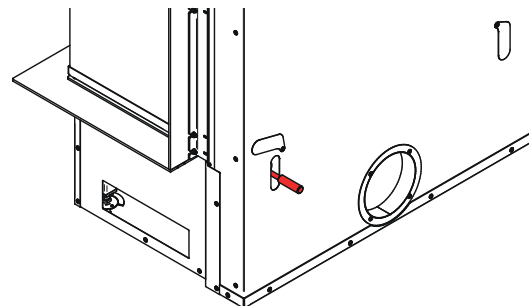
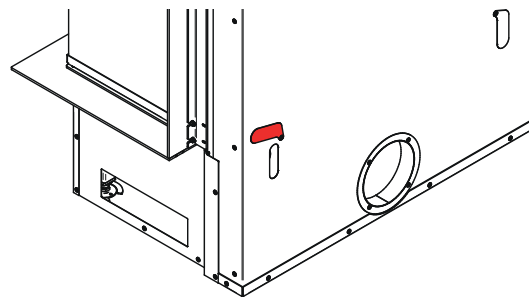
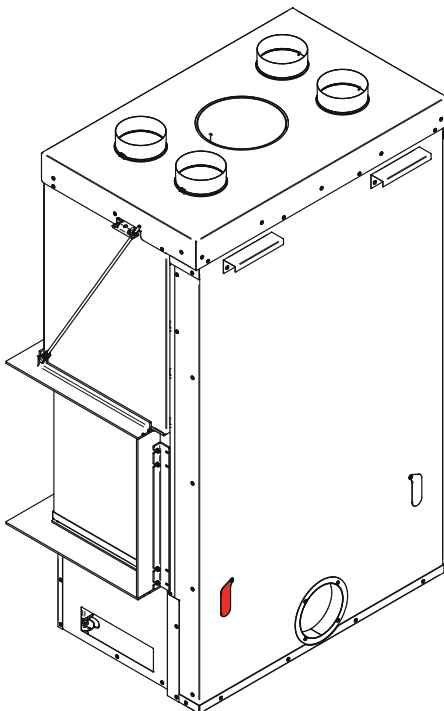


detail A detail B



Tool:
socket wrench

To unlock the transportation lock, open the cover. Then loosen the screw with the socket wrench. Turn the socket wrench to the left. Then close the cover. Do this on both sides.





AMBIANCE®

FIREPLACES | BBQ | OUTDOORS | SPAS

LUXUS®
WOOD SERIES

Model: LUXUS® 40 High

Door opening

Use the «operational tool» to open and close the door



Operational tool



Connection point



Position the «operational tool» on the connection point

CAUTION!

The «operation tool» has a spring. If you let go the «operation tool», it jumps back from the connection point.

The «operation tool» is heavy. Do not drop it on the floor or on your foot.



Move the door up and down