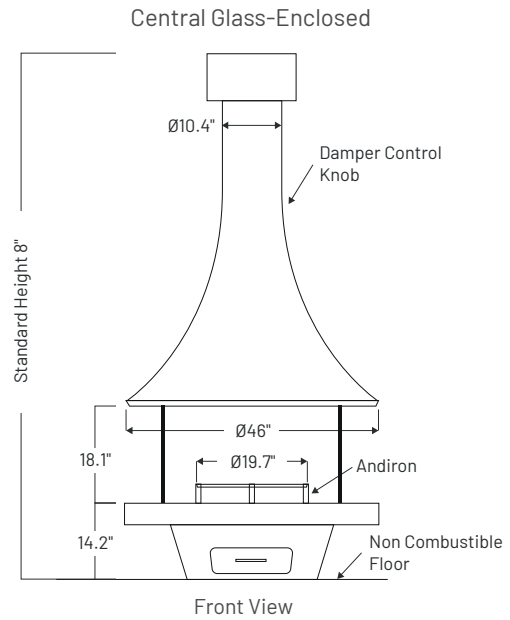
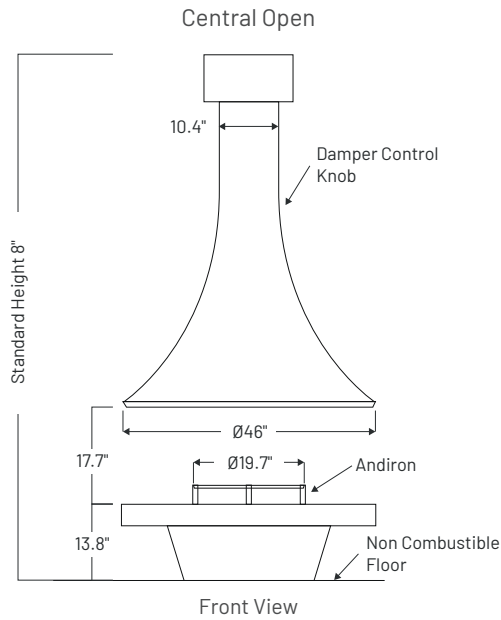




Model: Eva Central

Specifications

Painted Version



BTU		LOGS		VENTING			WEIGHT
Wood or Ecological Logs	EPA	Wood Logs	Ecological Logs	Type	Diameter	Brands	Base / Upper Part / Glass
Max. 55 000	EPA Exempt	Max 22"L, 24 lbs	Max 21 lbs, ≈ 7 logs	Class A	10"	Selkirk, Security Chimney, ICC RIS, DuraVent	198 lbs / 121 lbs / 44 lbs

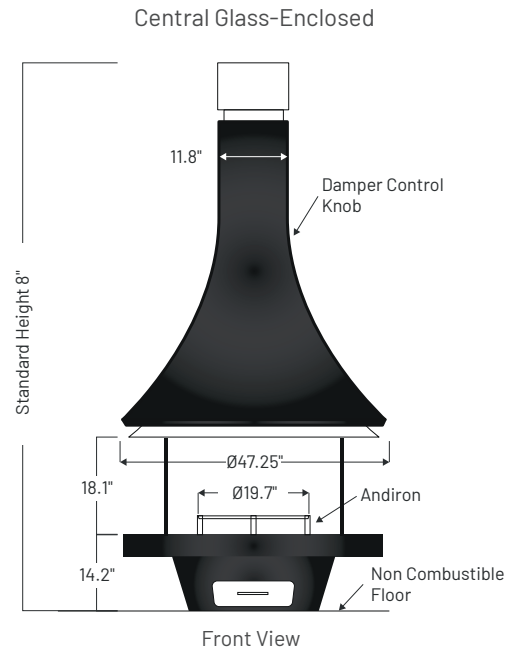
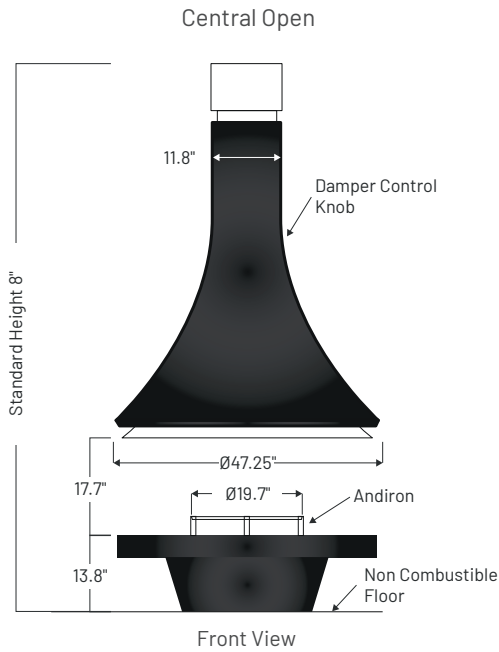
DIMENSIONS						DISTANCE TO COMBUSTIBLES	
Width / Depth	Overall Height	Base Height		Required Space Between Base and Hood		All Around	Floor Protection
		Open Version	Glass-Enclosed Version	Open Version	Glass-Enclosed Version		
46"	96"	13.75"	14.25"	17,719"	18,125"	48"	86.25" Diameter X 0.375" Thick



Model: Eva Central

Specifications

Lacquered Version



BTU		LOGS		VENTING			WEIGHT
Wood or Ecological Logs	EPA	Wood Logs	Ecological Logs	Type	Diameter	Brands	Base / Upper Part / Glass
Max. 55 000	EPA Exempt	Max 22"L, 24 lbs	Max 21 lbs, ≈ 7 logs	Class A	10"	Selkirk, Security Chimney, ICC RIS, DuraVent	198 lbs / 177 lbs / 44 lbs

DIMENSIONS						DISTANCE TO COMBUSTIBLES	
Width / Depth	Overall Height	Base Height		Required Space Between Base and Hood		All Around	Floor Protection
		Open Version	Glass-Enclosed Version	Open Version	Glass-Enclosed Version		
47.25"	96"	13.75"	14.25"	17,719"	18,125"	48"	86.25" Diameter X 0.375" Thick



AMBIANCE®

FIREPLACES | BBQ | OUTDOORS | SPAS

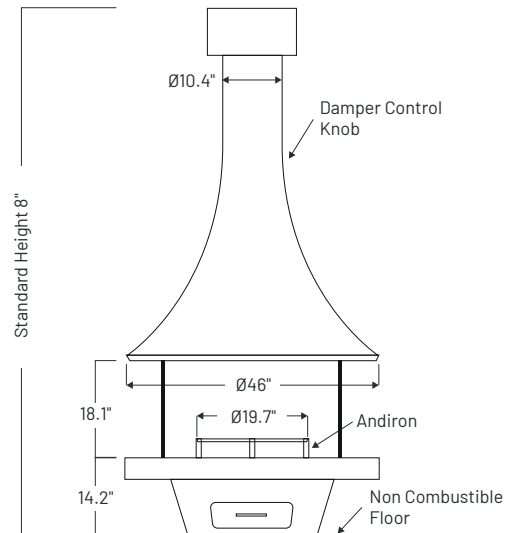
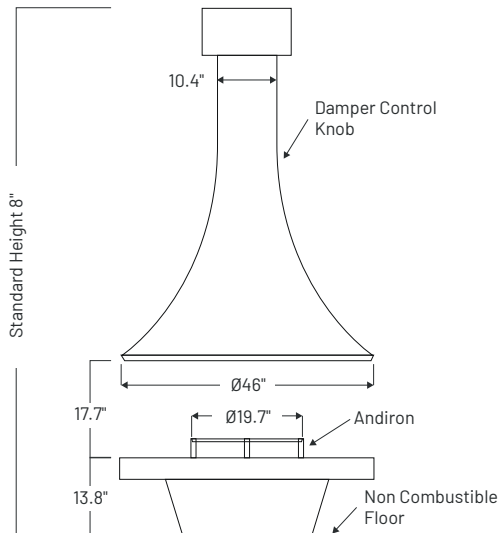
JC BORDELET
BY AMBIANCE®

Model: **Eva Central**

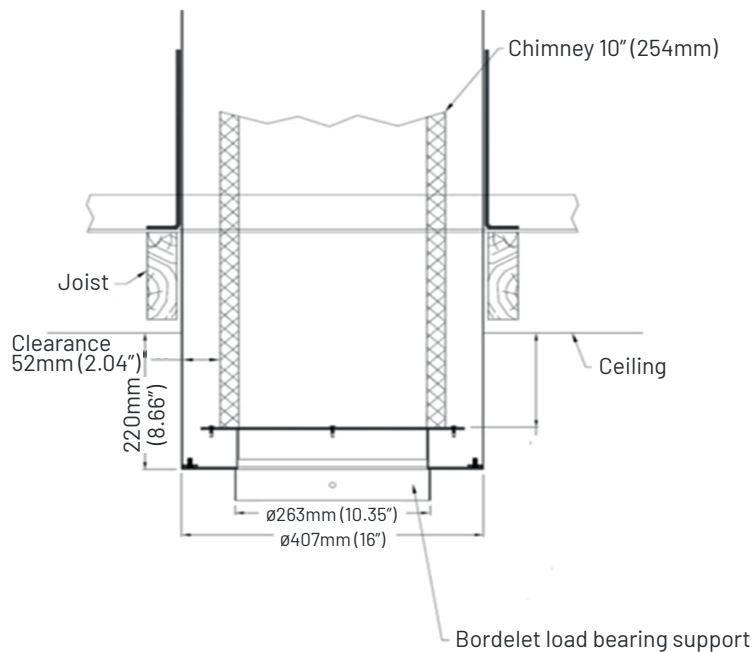


Model: Eva Central

Distance to combustibles

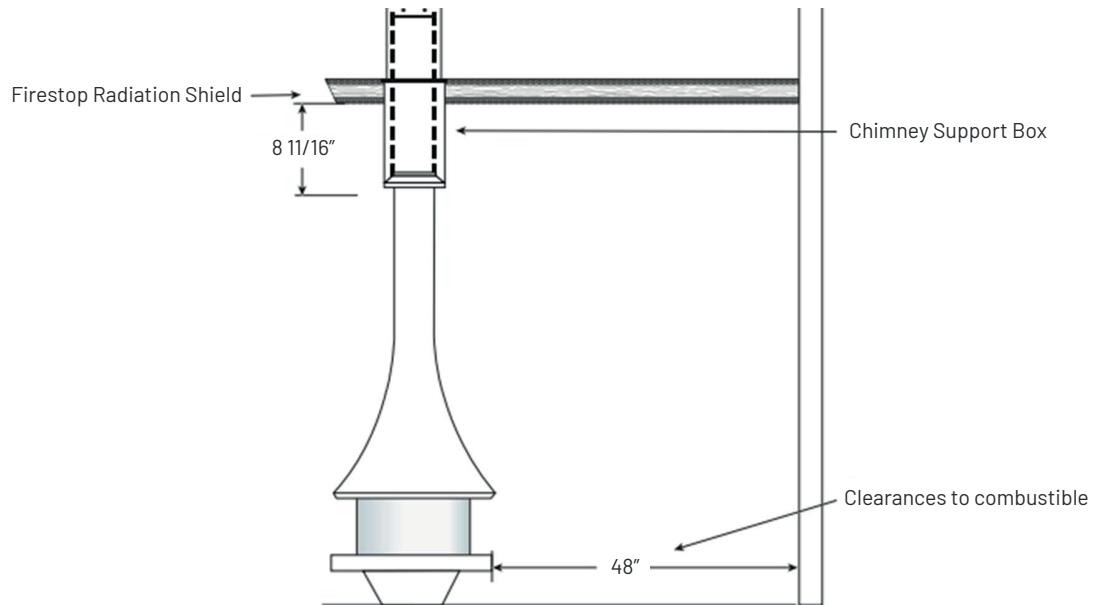


Warning: For centrally-located fireplaces, a minimum clearance to combustibles of 1.2m (48") must be maintained 360° around the fireplace. For single wall smoke pipe, a minimum 45cm (18") clearance to combustibles must be maintained and, when connected to the Bordelet Load Bearing Support, a minimum 220mm (8- 11/16") clearance from the top of smoke pipe mounting flange to the ceiling must be maintained, especially with slanted ceilings. Adjust the height of the Load Bearing Support accordingly.





Model: Eva Central



Installation of hearth extension

1. Remove all combustible floor coverings, e.g. carpeting, linoleum, etc., from the area under where the fireplace is to be suspended.
2. Centered on the planned location of the fireplace, install, flush with the finished floor, a round hearth extension of a minimum diameter of 2.190m (86 1/4 ") and at least 9.5 mm (3/8") thick (backed by a sheet metal plate if over a combustible structure) and made of approved noncombustible material such as ceramic tiles, stone, masonry or concrete flush with the floor. This conforms to applicable standards and is permitted since the bottom of the firebox opening is raised at least 203 mm (8") above the top of the hearth extension.

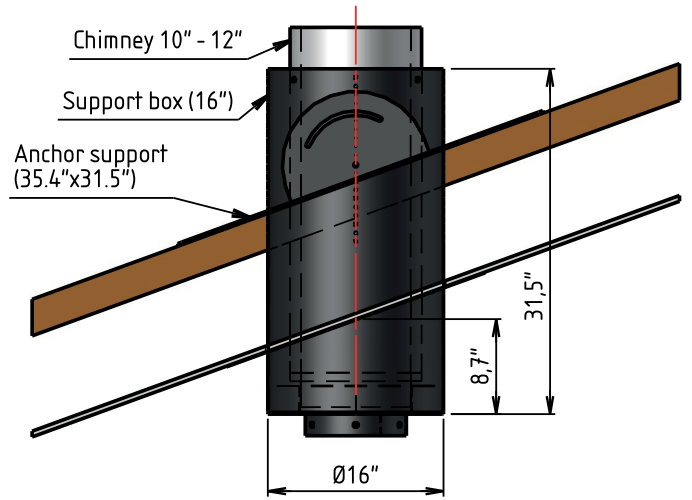
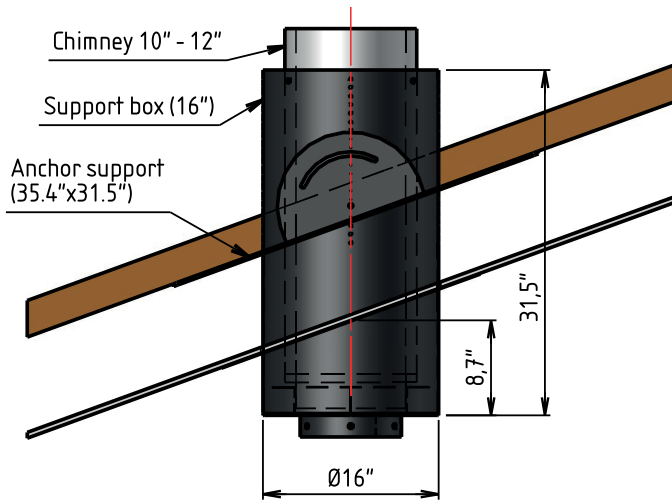




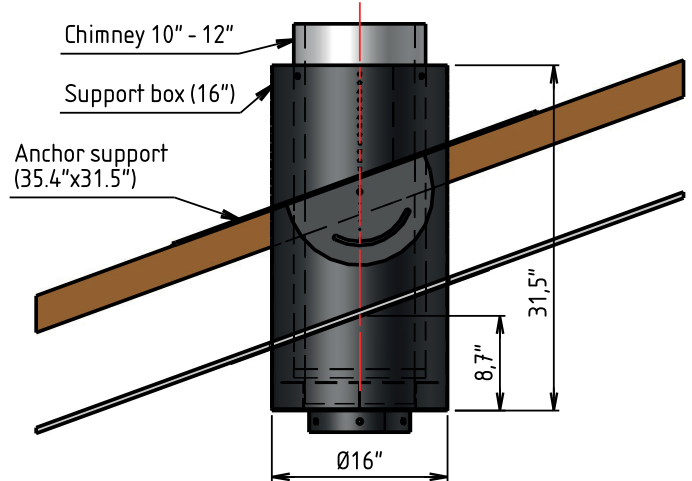
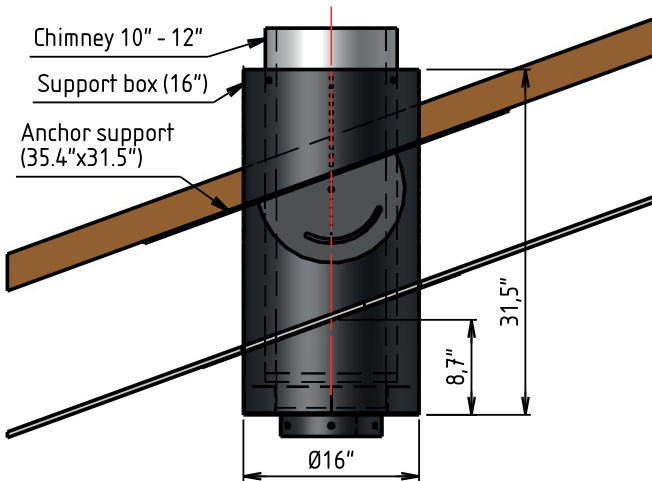
Model: Eva Central

Chimney Support Plate Installation

Chimney Support Plate Position Up



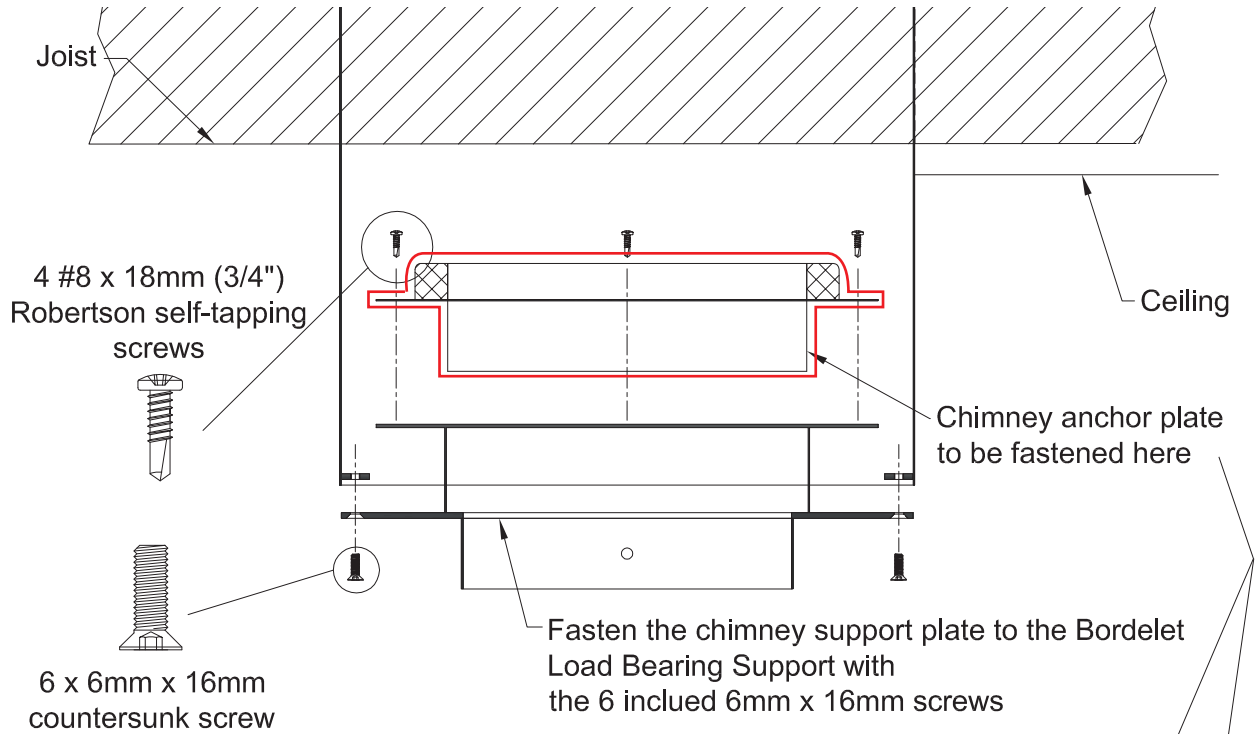
Chimney Support Plate Position Down





Model: Eva Central

Anchor Support Plate Installation

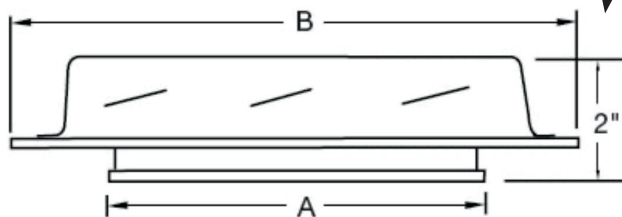


Anchor Support Plate

Cut the corners of the anchor plate to fit the load bearing support.



A	B
10.125"	14"

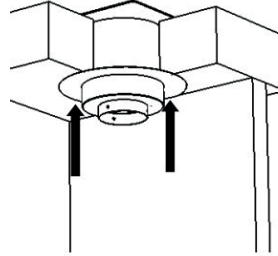




Model: Eva Central

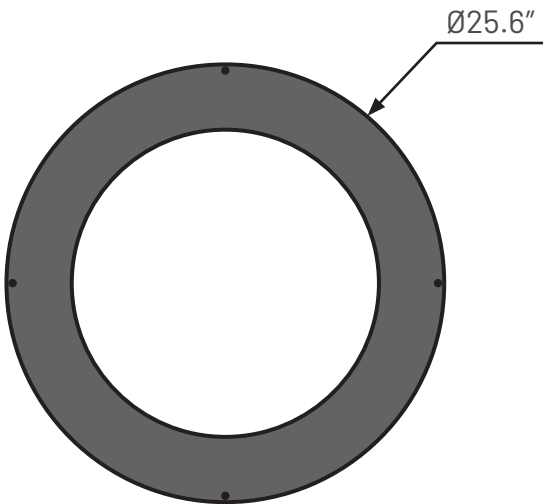
Ceiling Cover Plate

Install the ceiling cover plate around the Load Bearing Support.

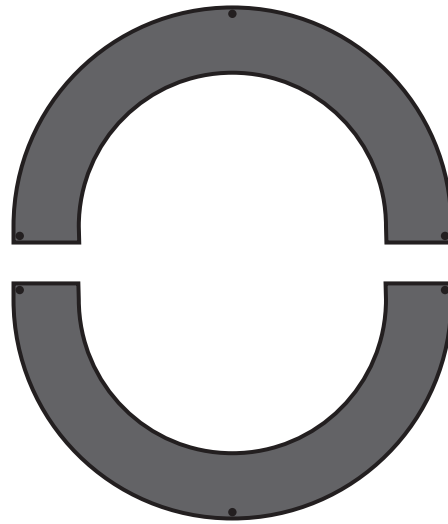


The Ceiling Cover Plate will give the chimney a nice finished look. It covers the gap between the round support and the ceiling. ~7.5» around support box. If the ceiling is at a 90° angle with the chimney, or has a pitch of less than 5°, use the **one piece cover plate**. If it has a greater pitch, chose one of the **2-piece cover plate** versions (see below).

1-piece Ceiling Cover Plate



2-piece Ceiling Cover Plate



PCP-0/5	Ceiling Cover Plate - Flat to < 5° Slope
---------	--

PCP-5/20	Ceiling Cover Plate - Low Pitch - 5° to 20° Slope
PCP-20/30	Ceiling Cover Plate - Medium Pitch - 20° to 30° Slope
PCP-30/40	Ceiling Cover Plate - High Pitch - 30° to 40° Slope
PCP-40/50	Ceiling Cover Plate - V. High Pitch - 40° to 50° Slope

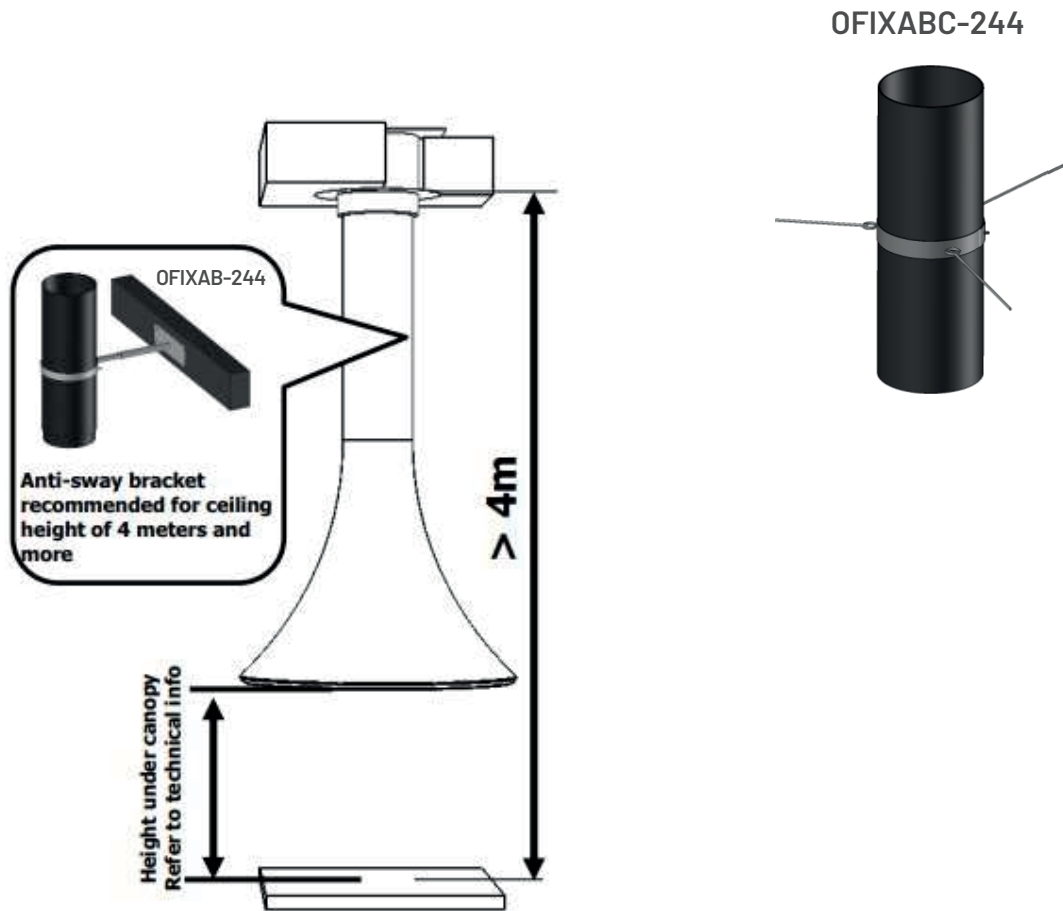


Model: Eva Central

Combustion Air Intake Options

Outside Combustion Air Intake That Goes Into the Fireplace

A fresh air kit (not included) can be used to send outside fresh air directly into the fireplace. Use the JC Bordelet Air Inlet to connect the fresh air kit to the fireplace.





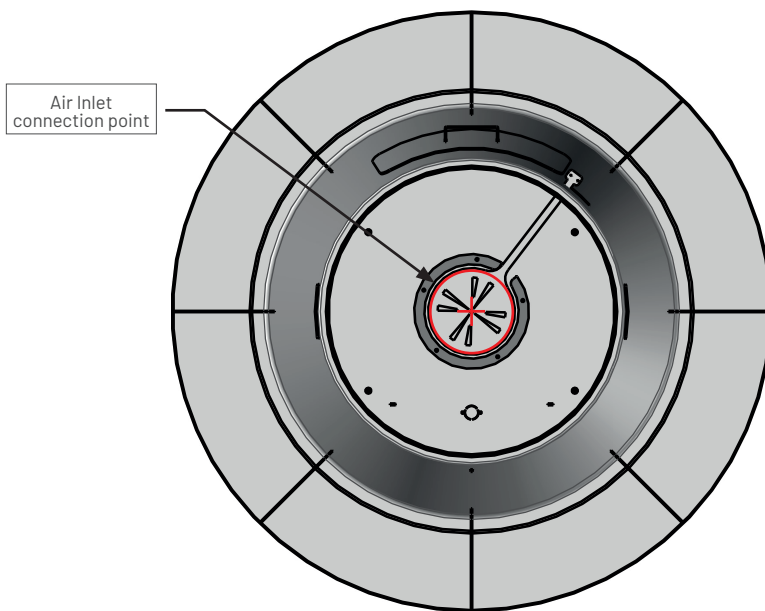
Model: Eva Central

Combustion Air Intake Options

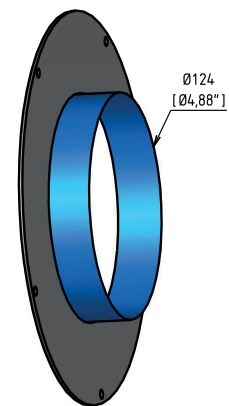
Outside Combustion Air Intake That Goes Into the Fireplace

A fresh air kit (not included) can be used to send outside fresh air directly into the fireplace. Use the JC Bordelet Air Inlet to connect the fresh air kit to the fireplace.

Bottom of the Fireplace's base



JC Bordelet Air Inlet

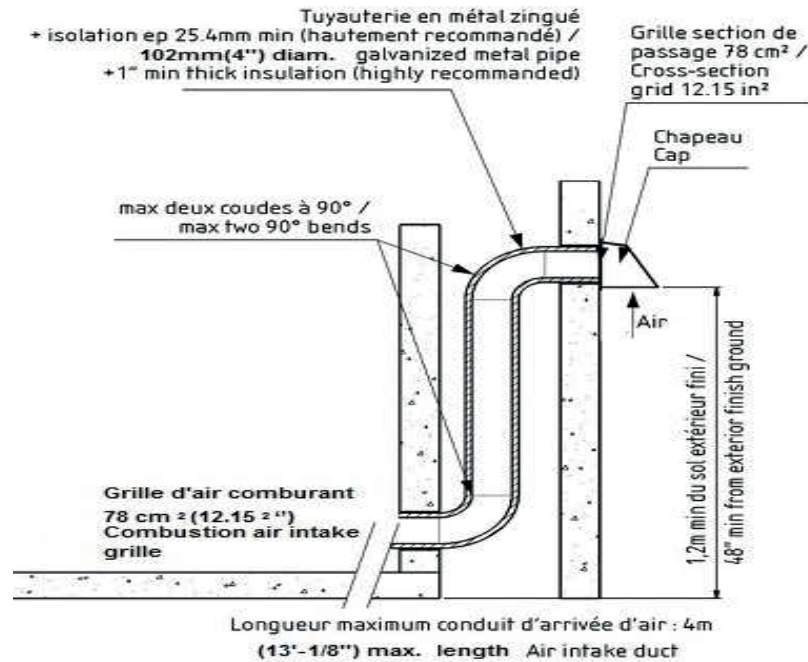




Model: Eva Central

Outside Combustion Air Intake That Goes Into the Room.

Combustion Air Intake (Option)



As the fire burns, air is needed to support combustion and the products of combustion go up the chimney. If there is an insufficient replenishment of combustion air through leakage into the house, the fireplace will start to smoke. To temporarily create a combustion air supply, open a window nearby, if this eliminates the smoke, the house is under negative pressure. This can be corrected by installing an Outside Combustion Air intake. Call a contractor to install an Outside Combustion Air intake of 100 mm (4") in diam. with a maximum length of 4 m (13'-1/8"). If a longer length is needed, go to a 155mm (6") pipe up to max. length of 6 m (20'). Install the combustion air intake high enough off the ground so that it will not become blocked by snow. In snowy climates, the air intake hood should be located 30cm (12") above the maximum snow level for that climate or a minimum 1.2m (48") above ground level and be sheltered from high winds. Place the exit of the combustion air intake in the room where the fireplace is installed or in an adjacent connecting room as per ANSI Z 223.1/NFPA 54.

Caution: the Outside Combustion Air intake must not come from an attic, garage, carport, basement, the chimney's enclosure or be less than 3m (10') from a gas meter, a fuel/propane tank or any other device that may emit fumes or gases, such as the exhaust of a motor vehicle.