

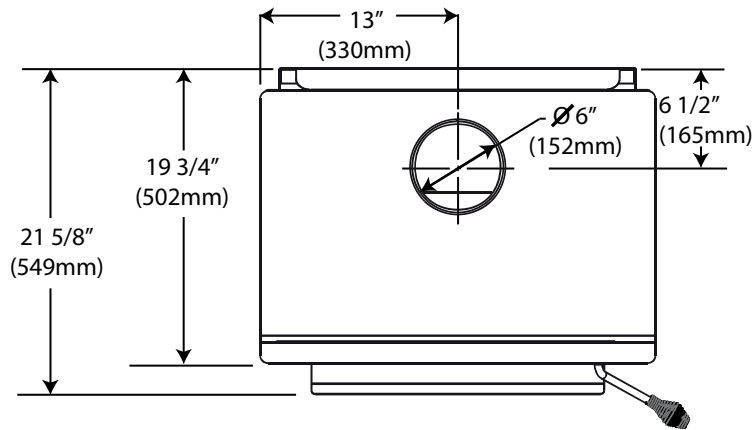


## Model: Outlander® 15

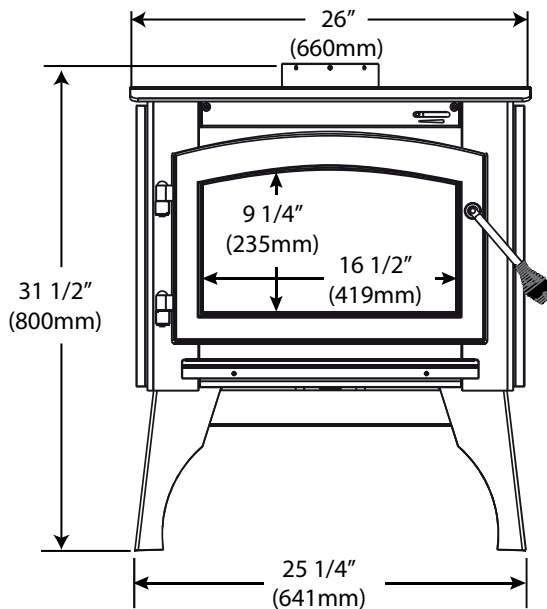
### Overall Dimensions

#### Leg Model

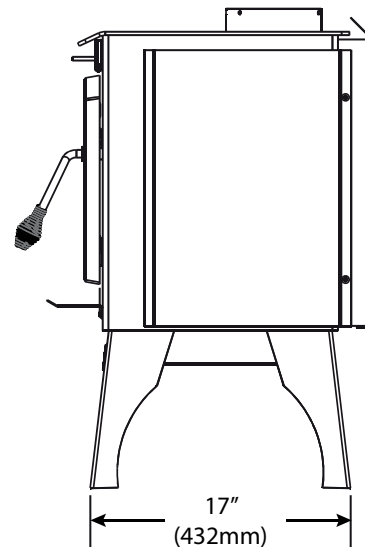
#### Top View



#### Front View



#### Side View



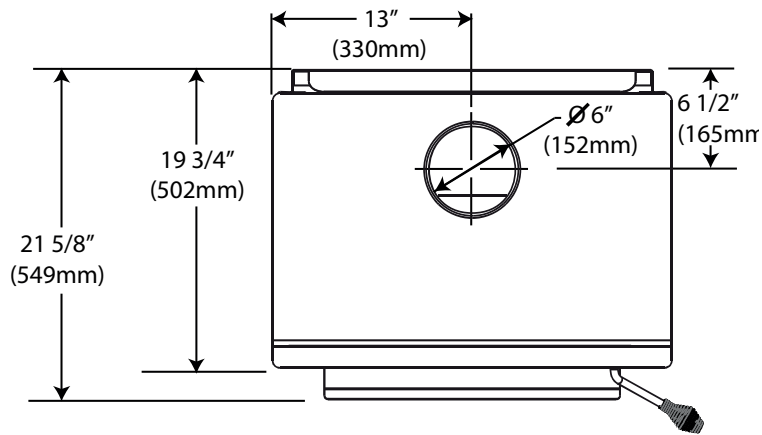


## Model: Outlander® 15

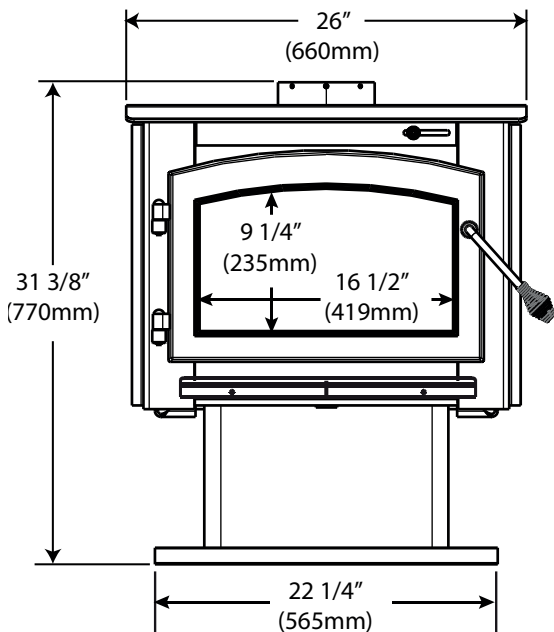
### Overall Dimensions

#### Pedestal Model

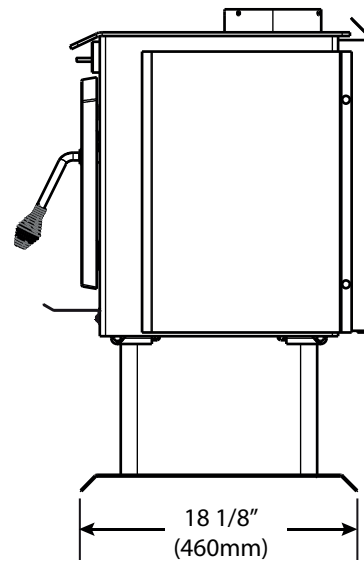
Top View



Front View



Side View





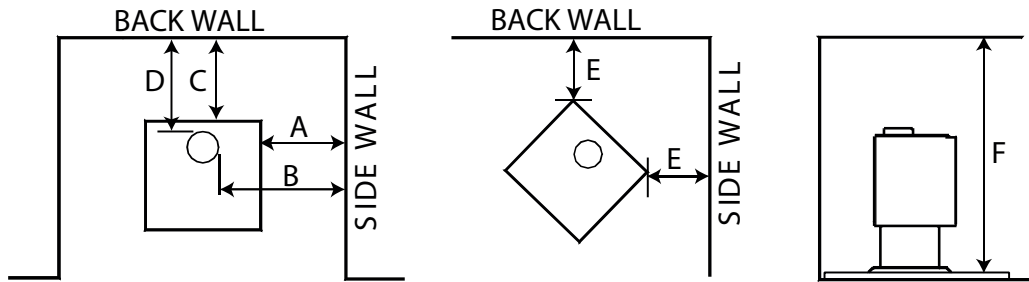
**Model: Outlander® 15**

**Specifications**

BTU		FIREBOX		EFFICIENCIES			VENTING	
Cordwood	EPA	Cu. Ft	Log Length	g / hr	Optimal %	HHV	Type	Diameter
52,000	30,042	1.9	20	1.57 g	75 %	71.61 %	Class A	6-inch

GLASS		DIMENSIONS				BLOWER	
Type	Dimensions	Area sq in	Height	Depth	Width	Type	CFM
Ceramic	16.5" X 9.24"	152	31.5"	21.63"	26"	Optional - Heat activated, variable speed	150

**Framing and Clearances**



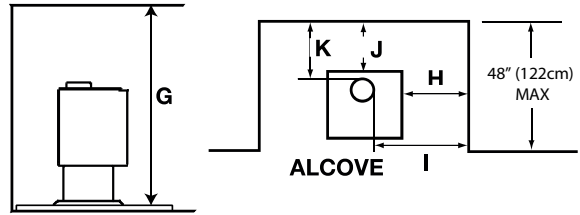
PARALLEL & CORNER	SINGLE WALL CONNECTOR	DOUBLE WALL CONNECTOR
Sidewall (A)	19" (48.3 cm)	
Sidewall to flue (B)	28" (73.3m)	
Backwall (C)	17.5" (44.5 cm)	12.5" (31.8 cm)
Backwall to flue (D)	21" (53.3 cm)	16" (40.6 cm)
Corner (E)	11" (279 mm)	7" (178 mm)
Ceiling (F)	84" (213.4 mm)	75" (190.5 cm)

Clearances can be reduced with shielding acceptable to local authorities.  
Reduced installation must comply with NFPA 211 or CAN/CSA-B365.

## Model: Outlander® 15

### Alcove Installation

Your appliance may be installed using a listed double wall connector, such as Security DL6 in Canada, the Simpson Duravent Plus DVL in the USA or an equivalent double wall connector, into an alcove having a depth of no more than 4 feet and a height of at least 6'3". The minimum clearance are as shown.



ALCOVE		
PARALLEL & CORNER	SINGLE WALL CONNECTOR	DOUBLE WALL CONNECTOR
Ceiling (G)	N/A	7" (190.5 cm)
Side wall (H)		19" (48.3 cm)
Sidewall to flue (I)		28.875" (73.3 cm)
Blackwall (J)		12.5" (31.8 cm)
Blackwall to flue (K)		16" (40.6 cm)

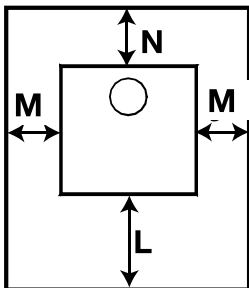
### Floor protection

If the appliance is to be installed on top of a combustible floor, it must be placed on an approved non-combustible hearth pad, that extends 8" (203 mm) beyond the appliance sides and back and 18" (457 mm) in Canada / 16" (406 mm) in the USA to the front. The reduced clearance from the back of the appliance may result in the appliance pad terminating shorter than 8" (203 mm) beyond the appliance.

**note:**

Floor protection is required for spark and ash shielding, but not for limiting floor temperatures from the radiant heat of the appliance. The appliance was designed and safety-tested so that without any protection, the floor would not overheat.

Refer to local building codes for suitable floor protection materials.



MINIMUM FLOOR PROTECTION			
	FRONT (L)	SIDES (M)	BACK (N)
CANADA	18" (45.7 cm)	8" (203 mm)	
USA	16" (406 mm)	8" (203 mm)	

**note:**

If a section of horizontal chimney connector is used, floor protection is required under the chimney connector and 2" (51 mm) beyond each side.



## Model: Outlander® 15

### Optional Blower Kit Installation



EPT70

Provisions have been made on this appliance to install an optional blower kit (EPT70) that comes complete with a variable speed switch to turn blower ON/OFF, as well as to adjust the blower speed.

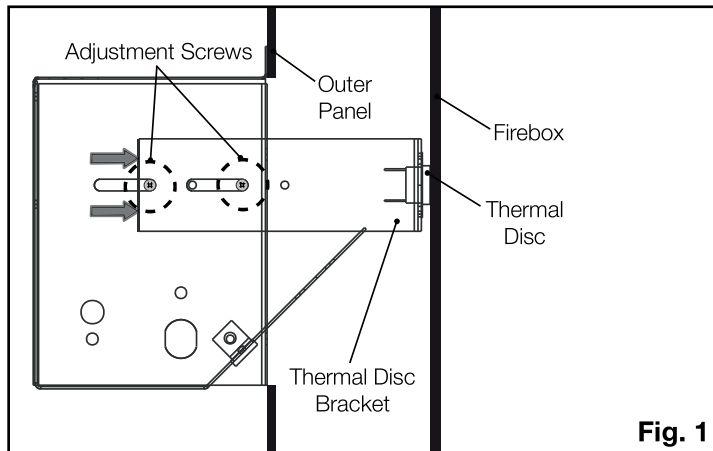


Fig. 1

1. Ensure the thermal disc bracket is in the correct position (**Fig. 1**).
2. Remove the knock-out from the back of the appliance.
3. Install the blower and housing as shown (**Fig. 2**) using 4 screws (supplied).
4. Loosen the adjustment screws.
5. Reach between the outer panel and the firebox, then slide the thermal disc bracket until the thermal disc is touching the rear of the firebox. (**Fig. 1**).

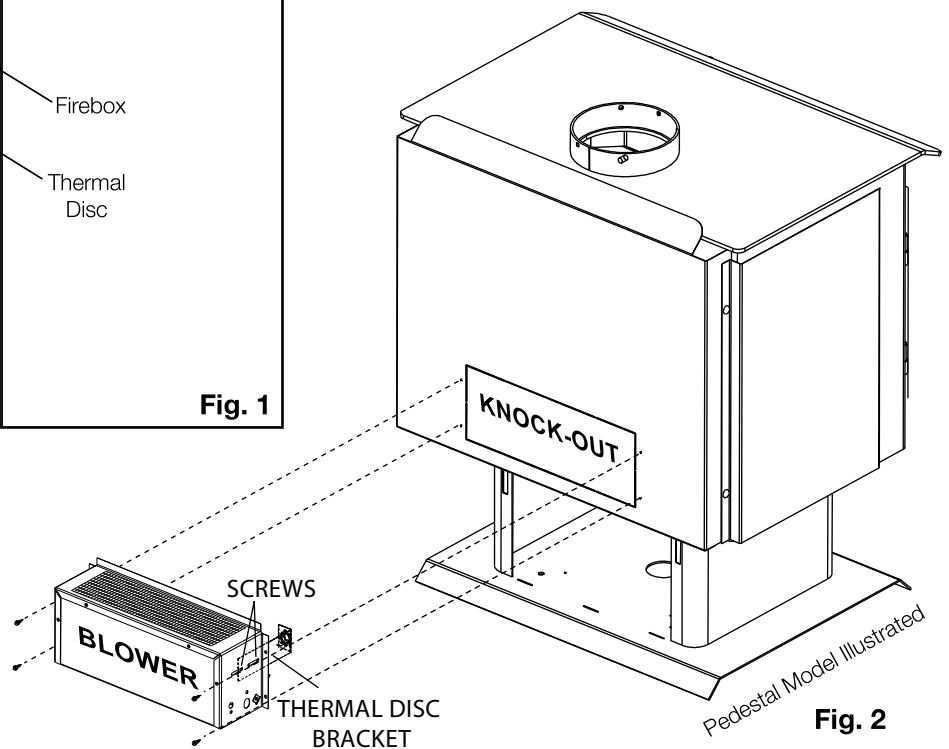


Fig. 2

**note:**

For optimal performance, the thermal disc **MUST** make contact with the firebox.

6. Re-secure the adjustment screws to hold the thermal disc bracket in place.