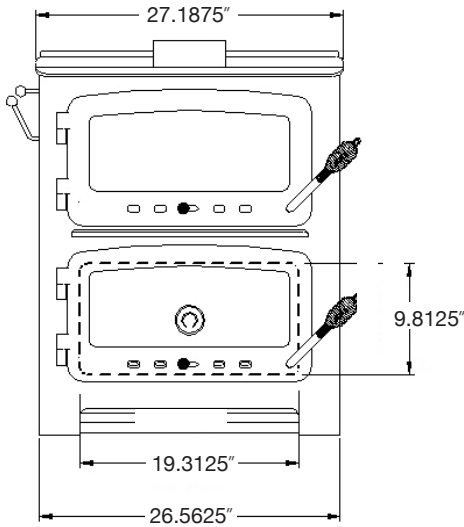


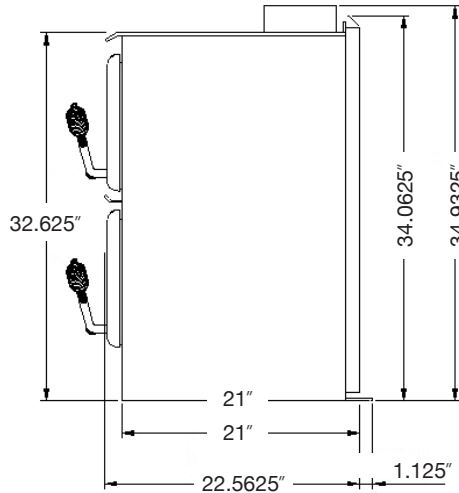


Model: Nectre N550

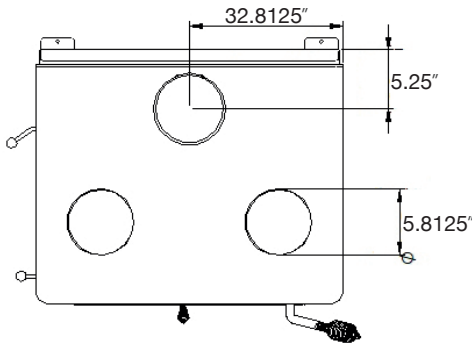
Specifications



Front view



Side View



Top View

BTU			FIREBOX			OVEN			
Cordwood	EPA	Efficiencies	Cu. Ft	Dimensions	Log Length	Cu. Ft	Dimensions	Opening	Grids
65,000	Exempt	78 %	1.46	19.0625" X 11.25" X 11.8125"	18" Max	1.66	19.6875 X 12.875" X 11.3125"	19.3125 X 9.8125"	19.0625 X 11.4375"

GLASS			WEIGHT	OVERALL DIMENSIONS			VENTING	
Type	Dimensions	Area sq in	Lbs	Width	Depth	Height	Type	Diameter
Ceramic	18.75" X 7.875"	148	514	27.1875"	22.5625"	34.0625"	Class A	6-inch

Ventilation Suggestions

It is important to note that wood combustion consumes ambient oxygen in the room. In the case of negative pressure, it is good idea to allow fresh air in the room, either by opening a window slightly or by installing a fresh air intake system on an outside wall.



Model: Nectre N550

Framing and Clearances

One of the main necessary precautions when installing a wood stove is to leave sufficient space between the stove (top, sides, back, front, and under stove pipes) and any other material that can catch fire.

It is extremely important that you respect required installation distances and that you respect local installation regulations. This is for your safety! The manufacturer is not responsible for the product, if it is not installed following these recommendations. The following clearances may only be reduced by means approved by the regulatory authority.

A combustible surface is anything that can burn (i.e. sheet rock, wall paper, wood, fabrics etc.) These surfaces are not limited to those that are visible and include materials that are behind noncombustible materials. If you are not sure of the combustible nature of a material, consult your local fire officials.



Figure 4. a) Parallel installation, b) Corner installation

Table 1. Clearances to combustible surfaces

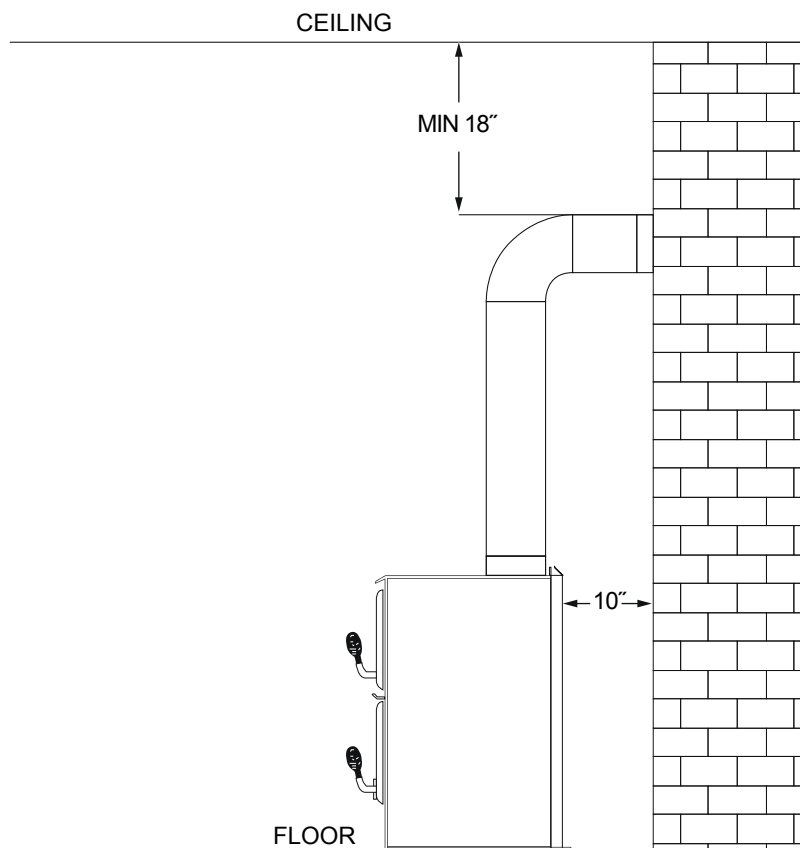
Description		Dimension (inches)	Dimension (millimeters)
A	Back Wall to Flue Pipe	12.5"	(318 mm)
B	Side Wall to Flue Pipe	22.5"	(572 mm)
C	Wall to Flue Pipe	15"	(381 mm)
D	Back Wall to Appliance	10"	(254 mm)
E	Side Wall to Appliance	12"	(305 mm)
F	Wall to Appliance	5"	(127 mm)
-	Ceiling to Appliance Top	51"	(1296 mm)



Model: Nectre N550

Chimney Clearances

The stove may also be connected to a masonry chimney, provided the chimney complies with the construction rules found in the building code enforced locally. To ensure that a masonry chimney meets the minimum standards of the National Fire Protection Association (NFPA) it should be inspected by a professional to make sure there are no cracks, loose mortar or other signs of deterioration and blockage. Also have the chimney cleaned before the stove is installed and operated.





Model: Nectre N550

Floor protection

The stove must be placed on a non-combustible floor protector with an R-value of 2.12 or greater. For multiple layers, add R-values of each layer to determine the overall R-value. When manufacturers provide a k-factor or C-factor for the material, you will need to convert these to the R-value.

The following equations can be used to convert these factors to the R-value:

- k-factor, is given with a required thickness (T) in inches: $R=1/k \times T$
- C-factor, is given:

R=1/C EXAMPLE:

If the floor protector is 4" brick with a C-factor of 1.25, over 1/2" mineral board with a "k" factor of 0.29, the total R-value of the system (R_{total}) is:

4" brick C = 1.25,	$R_{brick} = 1/1.25$	= 0.8
1/2" mineral board K = 0.29,	$R_{mineral} = 1/0.29 \times 0.5$	= 1.724
$R_{total} = R_{brick} + R_{mineral},$	$R_{total} = 0.8 + 1.724$	= 2.524

In this example, the R-value is greater than 2.12 required and therefore this floor protector is a suitable combination that provides the required thermal protection.

In the USA, the floor protector must extend 8" beyond each side of the flue loading door and 16" to the front. In Canada, the floor protector must extend 8" (200mm) beyond each side and the back of the appliance and 18" (450mm) to the front. Refer to figure 3.

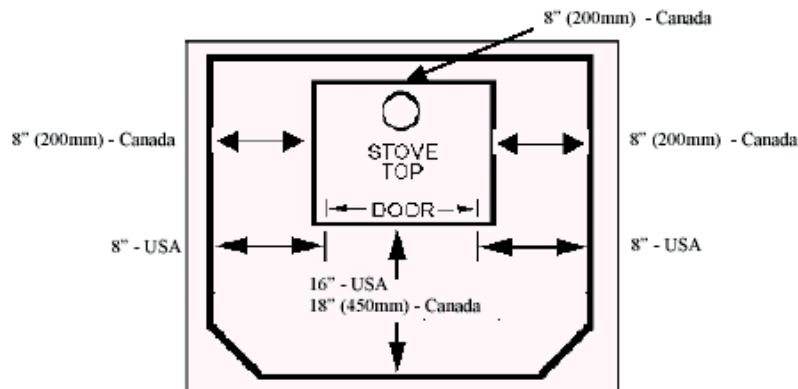


Figure 3. Non-combustible floor protector requirements

In a rear vent installation, the floor protection must also extend under the stove pipe / chimney connector and a minimum of 2" (50mm) beyond each side.