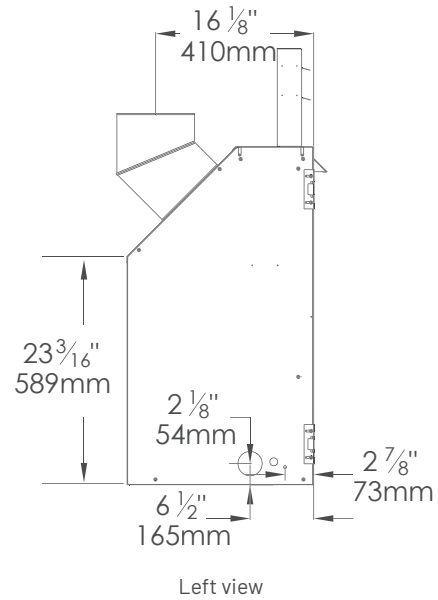
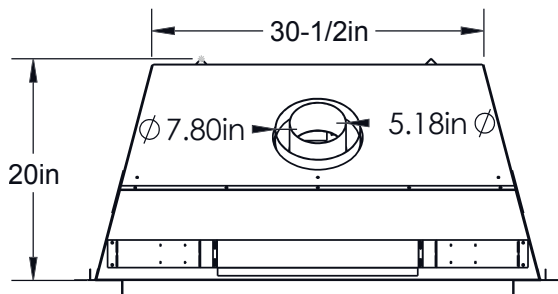
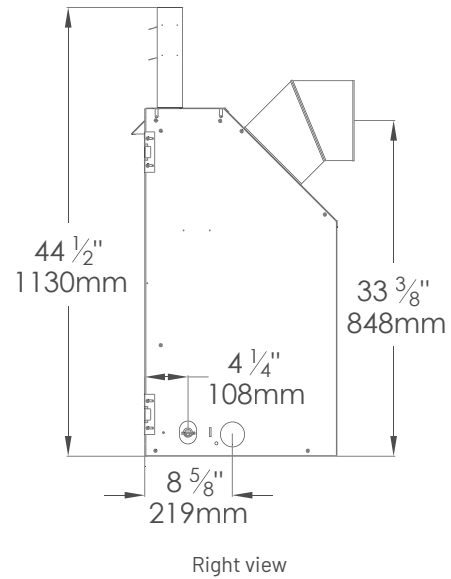
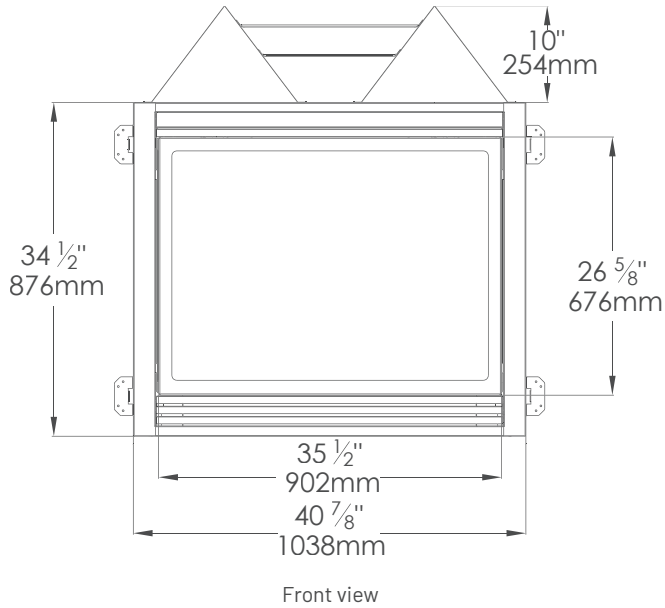




Model: **Intrigue® 42**



BTU				EFFICIENCY		VENTING			GLASS		
Max NG	Max PG	Min NG	Min PG	Energuid	Steady State	Type	Max. Height	In & Out Diameter	Type	Dimensions	Area sq in
39,500	39,500	18,500	18,500	70.9%	75.5%	Directe	50 pieds	5" & 8"	Pure vision Robax	26" x 35"	910

DIMENSIONS			MINIMUM FRAMING DIMENSIONS			BLOWING		MANTEL SHELF CLEARANCES	
Height	Depth	Width	Height	Depth	Width	Type	PCM	9-inch shelf	
34.5"	20"	40.875"	44.5"	20"	41.875"	Variable speed	150	12.5"	



Model: Intrigue® 42

Framing and Clearances

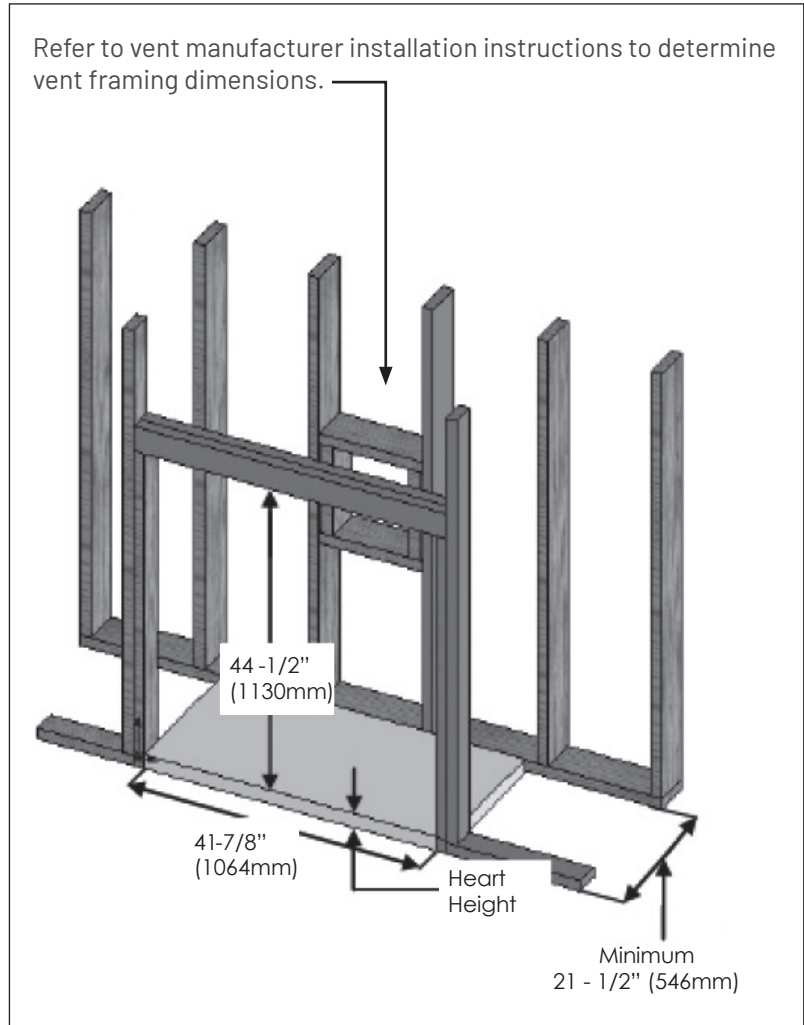


Figure 11.1.01

CLEARANCES	
Top of unit face to header (cement board may be used in this area).	10" (254mm)
From unit left & right sides and back	1/2" (13mm)
To flooring	0" (0mm)
Unit top to ceiling	31" (787mm)
Side of unit face to adjacent sidewall	3" (76mm)
Mantel 9" (229mm) deep from top of fireplace	12-1/2" (318mm)
Top of fireplace to 1" (25 mm) trim	10" (254mm)



Model: **Intrigue® 42**

12.0 Mantel Requirements

! WARNING

TOP STAND-OFF BRACKETS MUST BE ASSEMBLED AND ATTACHED TO FIREPLACE. DO NOT REMOVE. STAND-OFF BRACKETS ARE NOT LOAD BEARING

Non-Combustible Zone:

Rigid Pipe: 1" (25 mm) above elbow for entire width and depth (behind header) of fireplace.

Flexible Venting: 1" (25 mm) above elbow for entire width and depth (behind header) of fireplace.

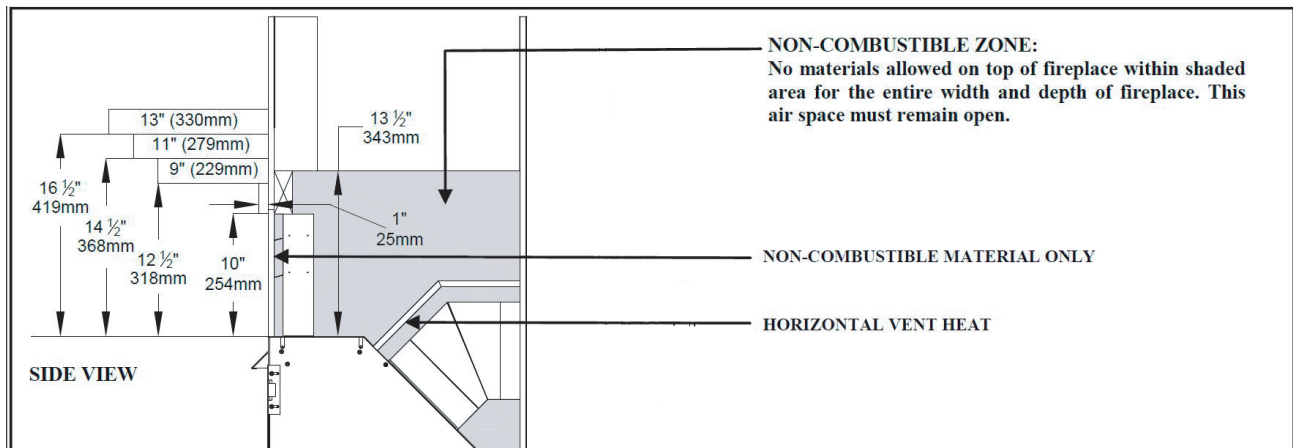


Figure 12.1.01

CLEARANCES

Top of unit face to header (cement board may be used in this area).	10" (254mm)
From unit left & right sides and back	1/2" (13mm)
To flooring	0" (0mm)
Unit top to ceiling	31" (787mm)
Side of unit face to adjacent sidewall	3" (76mm)
Mantel 9" (229mm) deep from top of fireplace	12-1/2" (318mm)
Top of fireplace to 1" (25 mm) trim	10" (254mm)



Model: **Intrigue® 42**

11.4 Typical Installation Options

IMPORTANT

The horizontal heat shield included with this fireplace must be installed when incorporating minimum horizontal venting. This applies to Nat. and LP minimum horizontal venting configurations.

Horizontal vent heat shield not shown in illustrations below for clarity purposes only.

Typical Horizontal Installation

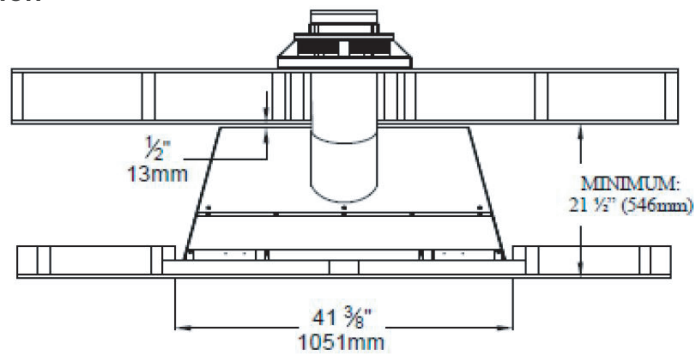


Figure 11.4.01

Typical Corner Installation

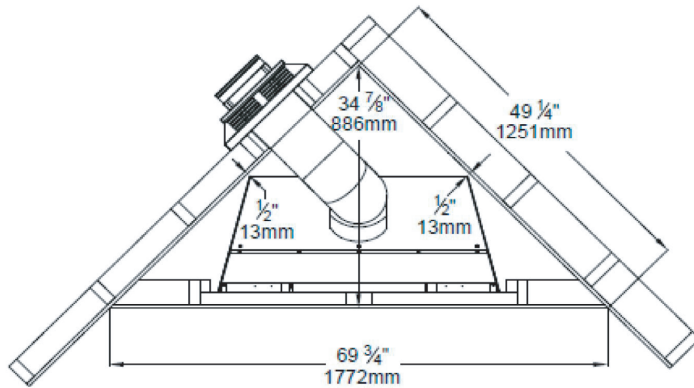


Figure 11.4.02

Typical Vertical Installation

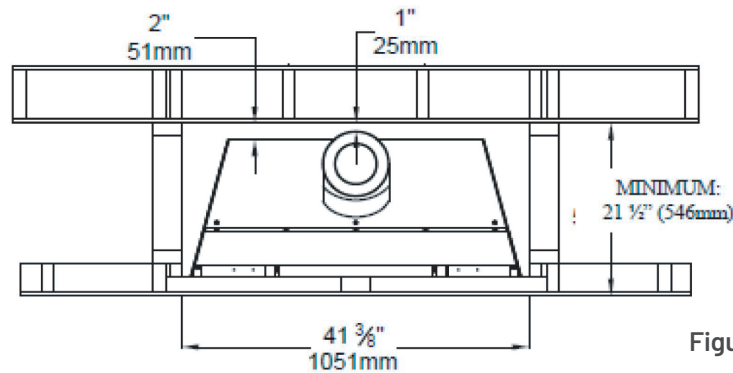


Figure 11.4.03