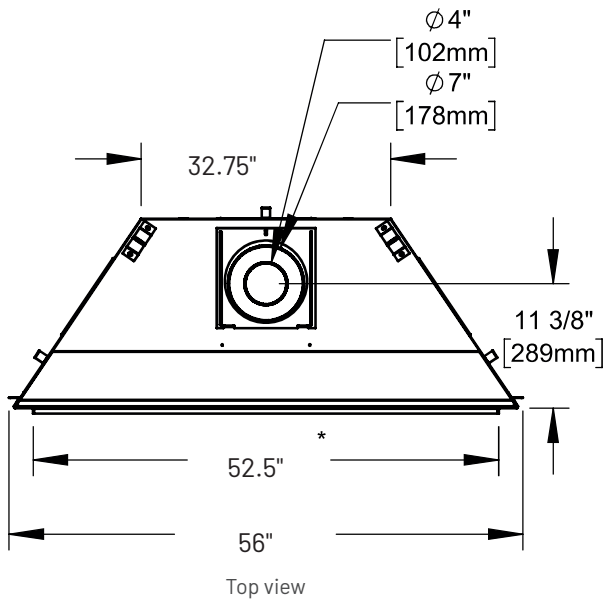
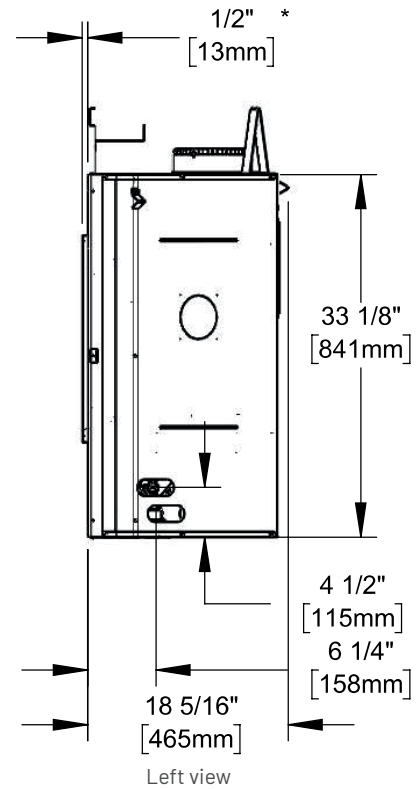
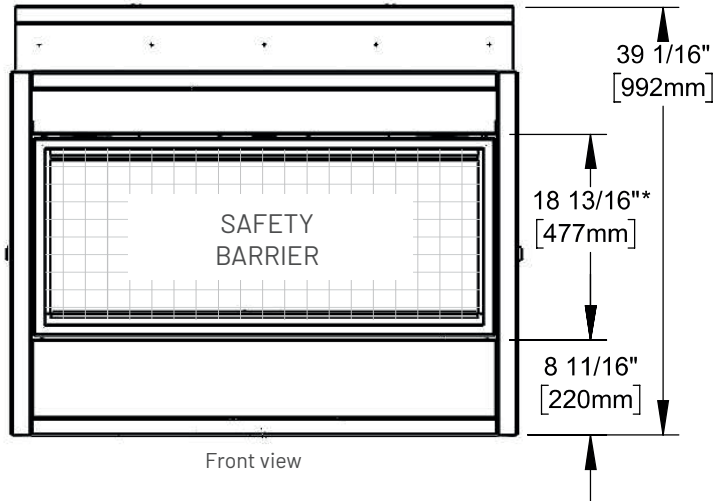




Model: **Illusion® 56**



BTU				VENTING			GLASS		
Max NG	Max LP	Min NG	Min LP	Type	Max. Height	In & Out Diameter	Type	Dimensions	Surface
28,000	26,500	22,000	21,000	Direct	40 feet	4" & 7"	Clear View	50.5" x 16.75"	845 sq in

OVERALL DIMENSIONS					FRAMING DIMENSIONS			OPTIONAL BLOWER		MANTEL SHELF CLEARANCE	
Height	Depth	Width	Width	Width	Height	Depth	Width	Type	CFM	Shelf depth	Clearance
39.0625"	18.8125"	56"	52.5"	32.75"	39.375"	18.5625"	56.5"	Vitesse Variable	100	6"	16"



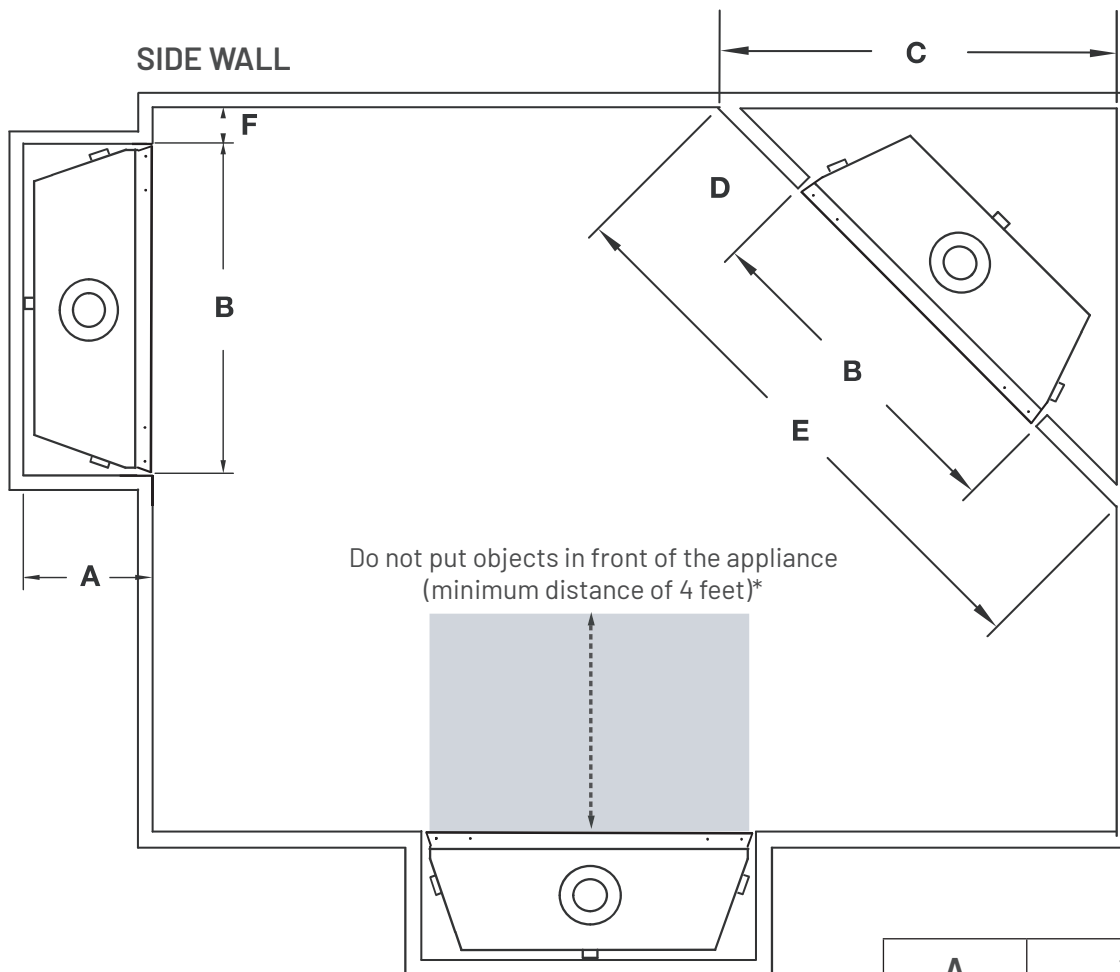
Model: Illusion® 56

Framing and Clearances

3.1 minimum framing dimensions

note:

The minimum clearances from the top of the horizontal vent pipe to combustibles materials may be reduced from 3" (76mm) to 1" (25mm) in those installations with a minimum 38" (96.5cm) vertical vent rise made immediately off the appliance collar.



A	18 9/16"
B	56 1/2"
C	51"
D	7 7/8"
E	72 1/4"
F	6"

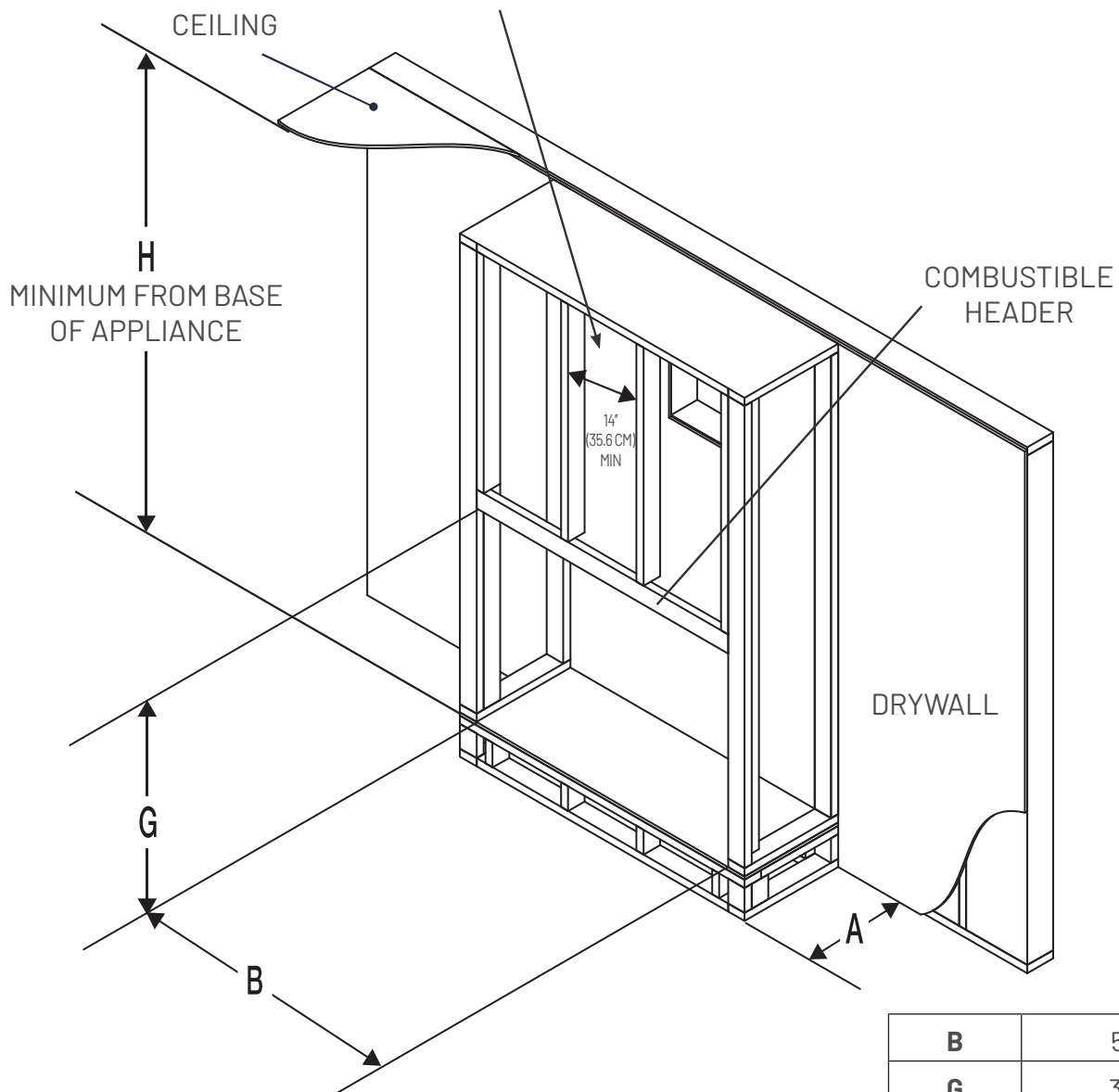


Model: Illusion® 56

Framing and Clearances

! WARNING

- Do not build this area - it must be left clear to provide adequate clearance for the vent in this 14" (35.6cm) wide area centered along the front of the appliance. The appliance should be in its final location before framing.



B	56 1/2"
G	39 3/8"
A	18 9/16"
H	60"



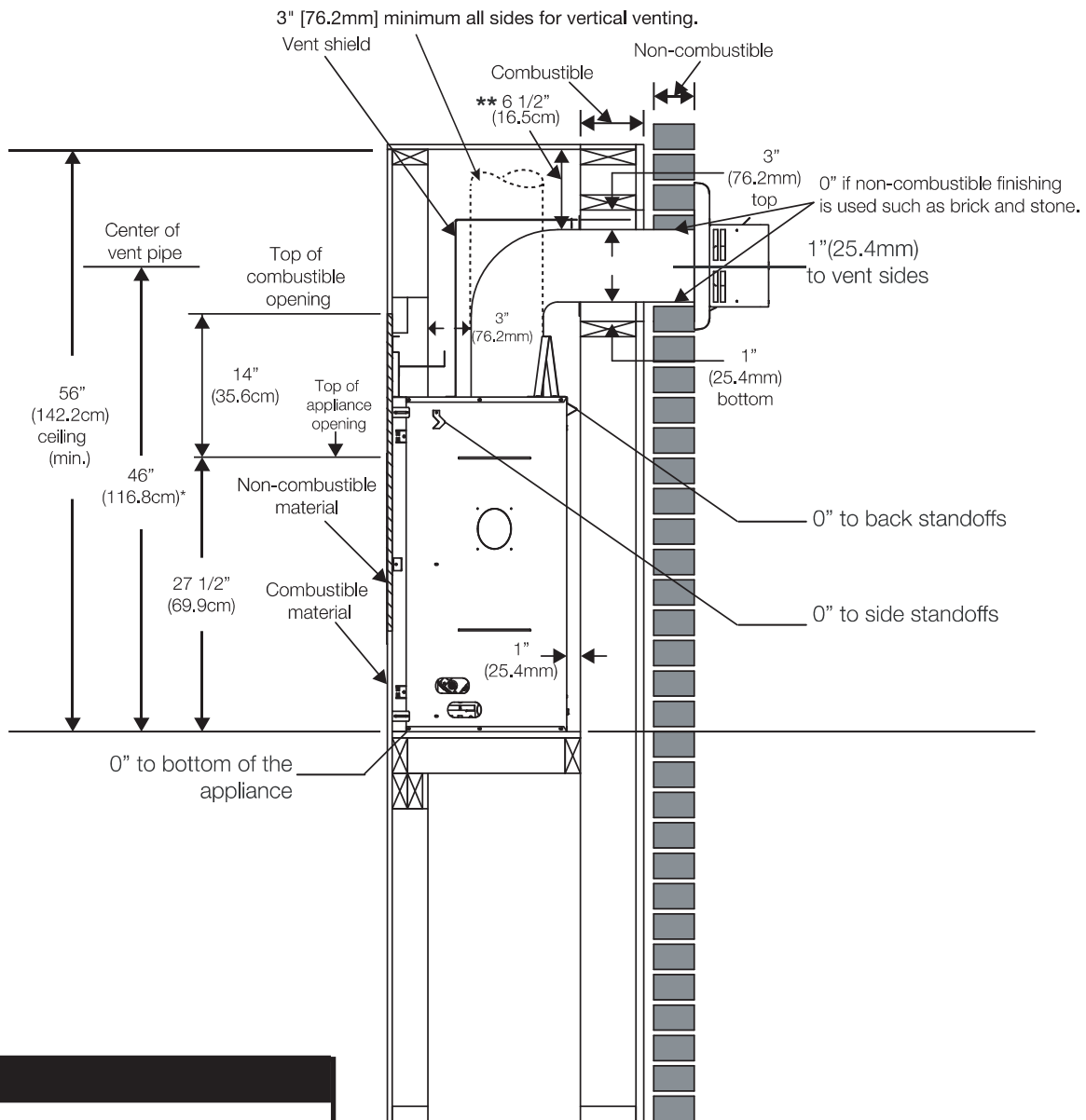
Model: **Illusion® 56**

Framing and Clearances

10.3 minimum clearance to combustible enclosures

note:

When passing through a wall, use firestop spacer W010-4404 (supplied).
When passing through a ceiling, use firestop spacer W500-0096 (not supplied).



note:

The vent shield is telescopic and must be adjusted to shield the full depth of the combustible wall penetration.

*See «venting requirements» and «venting installation» sections.

**Clearances within the enclosure may be higher, see «minimum framing dimensions» section.



Model: **Illusion® 56**

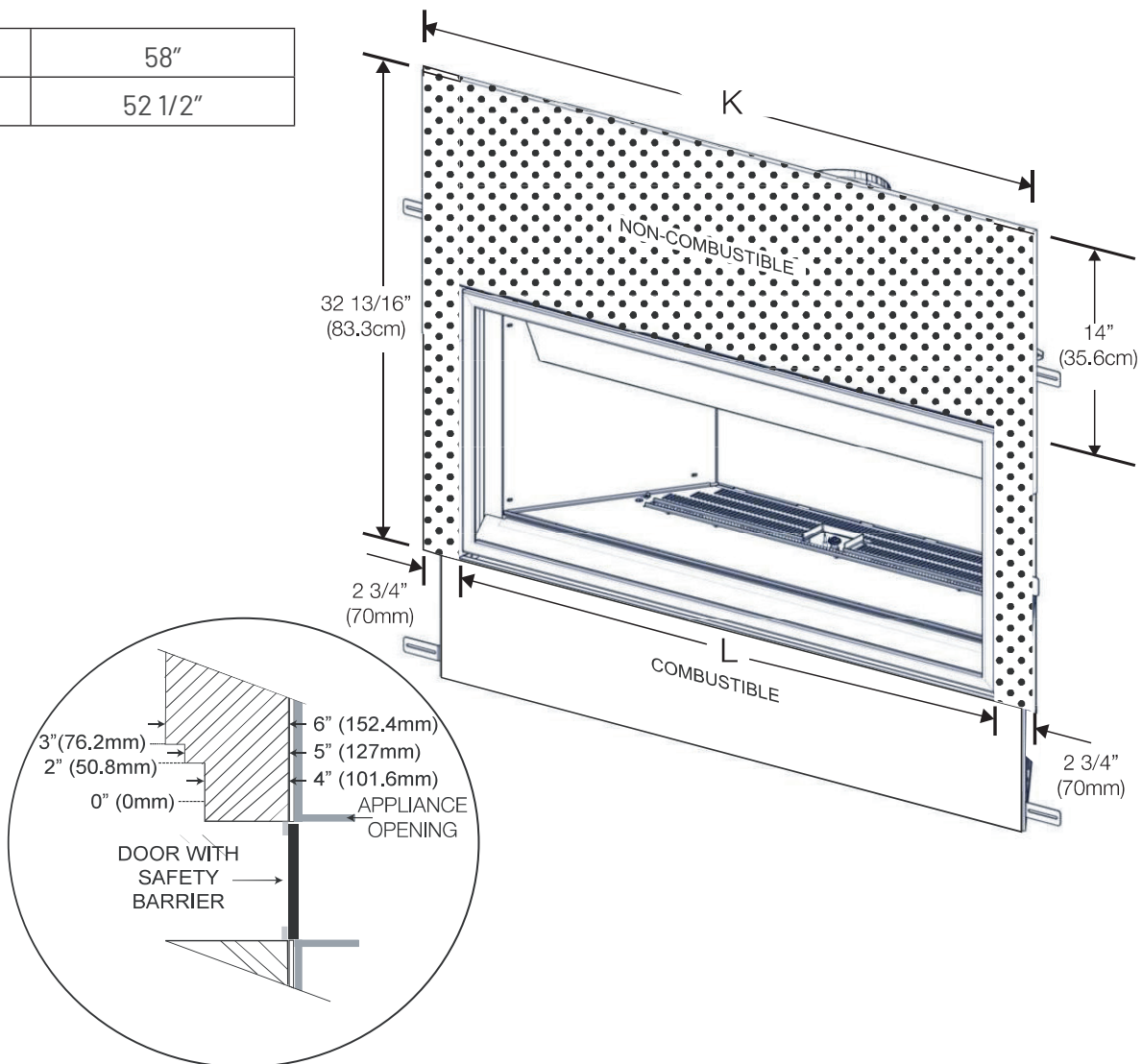
Framing and Clearances

11.2 minimum clearance to combustibles

! WARNING

• Non-combustible facing material must not project more than 4" (102mm) from the face of the door (all three sides). If greater projections are desired, increase the clearance to the sides and top by 2" (51mm) for every additional 1" (25mm) of projection. If using an optional surround, the same rules applies, starting from the top of the surround. Ensure clearances are maintained for surround removal, as it must life of the appliance for maintenance.

K	58"
L	52 1/2"



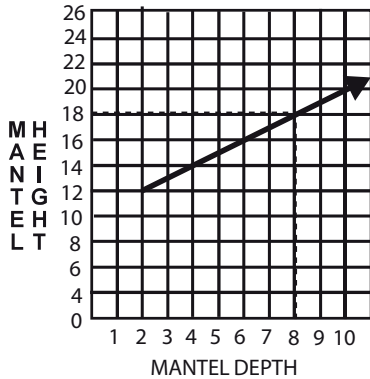


Model: **Illusion® 56**

Framing and Clearances

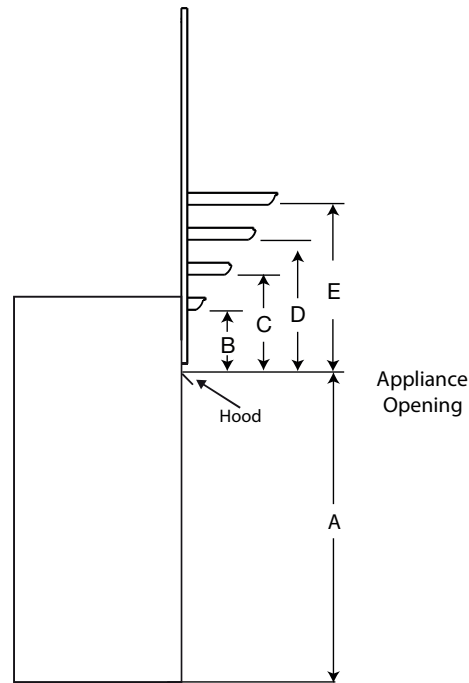
Minimum combustibile mantel clearances

Combustible Mantel clearance can vary according to the mantel depth. Use the graph to help evaluate the clearance needed.

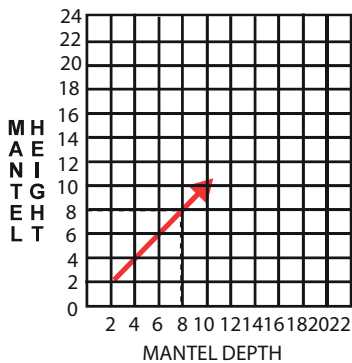


MANTEL DIMENSIONS		
Ref	Height	Depth
A	27 1/2" (69.9cm)	N/A
B	12" (30.5cm)	2" (51mm)
C	14" (35.6cm)	4" (102mm)
D	16" (40.6cm)	6" (153mm)
E	18" (45.7cm)	8" (203mm)

A



ONLY if the Universal Heat Management System is installed, mantel clearances can be reduced.



B

MANTEL DIMENSIONS (WITH UHM)		
Ref	Height	Depth*
B	2" (51mm)	
C	4" (102mm)	
D	6" (153mm)	
E	8" (203mm)	

! WARNING

- Risk of fire! Reduced mantel clearances are **ONLY** acceptable for applications with UHM installed.

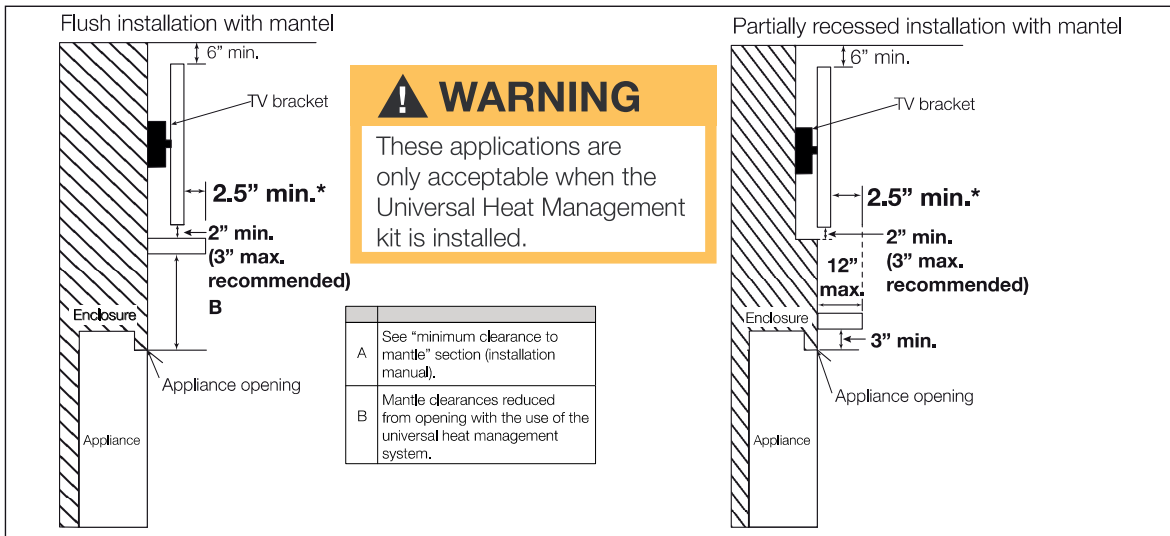
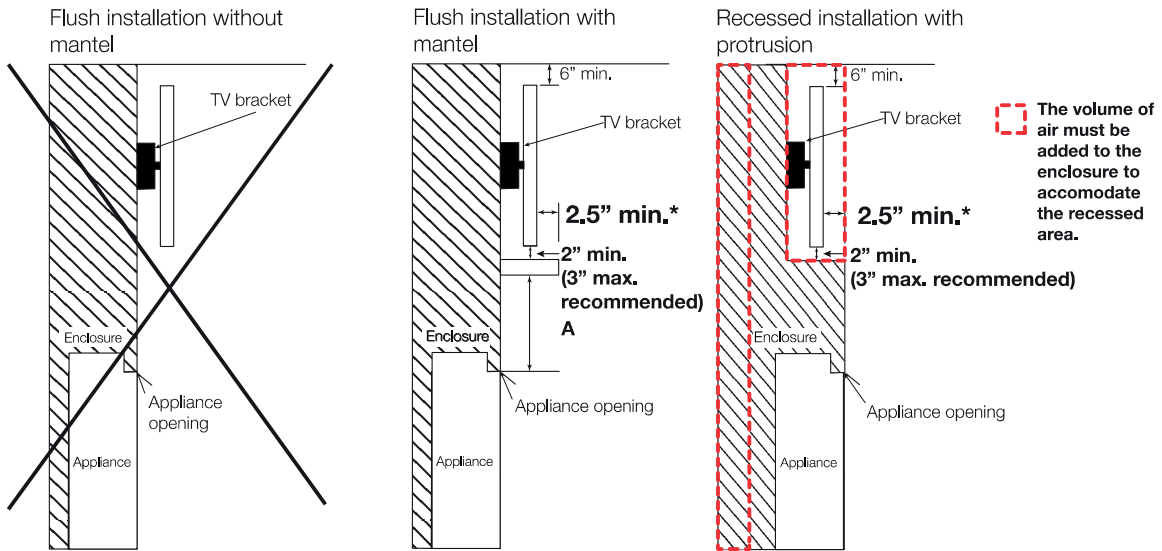
*Mantel depth must be appropriately sized if placing any valuable items above the fireplace / mantel (see "clearances around appliance (TV and valuable objects)").



Model: **Illusion® 56**

Framing and Clearances

Clearances around appliance (TV and valuable objects)



* TV applications were tested with the minimum enclosure dimensions and the maximum recess permissible. This data is provided in good faith and is not a guarantee for every application and television. Care and consideration should be taken when planning these installations to ensure the temperatures around the TV meet all manufacturer's recommended operating temperatures. Increasing the height of the mantel and/or TV above the fireplace opening, the protrusion of mantel and the volume of the enclosure all have the effect of reducing the temperature above the fireplace. **It is always recommended to use the optional heat management kit when considering mounting a television above the fireplace.**



Model: Illusion® 56

Optional heat management system

The Universal Heat Management system is an optional gravity vent kit that allows you to manage the heat produced by the appliance at and around the fireplace.

We recommend installing the Universal Heat Management system kit during the installation of the appliance **BEFORE** the gas is installed.

For more information, contact your local authorized dealer.

