

2024/2025

Nectre
BY AMBIANCE®

WOOD
COLLECTION



NECTRE N350



AMBIANCE®

FIREPLACES | BBQ | OUTDOORS | SPAS

Nectre
BY AMBIANCE®

WOOD
COLLECTION



NECTRE N65

The Nectre Series of wood burning stoves and cookstove by Ambiance® will quickly grab your interest with amazing versatility, stylish good looks and superior performance. If you're the type of person who is looking for functionality and high quality combined with an elegant and impressive heater, congratulations! You've found the right stove!

The Nectre Series by Ambiance® is made in New Zealand where pride and quality are evident in the manufacturing process. The Nectre Series features three unique models; all easy to operate, all versatile heaters and all come with a standard 10 year warranty. If you're looking to simplify your lifestyle, be well prepared for any weather emergencies or you're just looking for a great value in a unique wood burning stove, the Nectre Series is definitely worth investigating. These stoves are going to make you feel more confident and much more independent.

United Buyers 
GROUP

FLEXIBLE FINANCING

Most Ambiance® Authorized Dealers offer advantageous & flexible financing solutions.

To apply online, visit
united-buyers-group.com/financing-program



FEATURES

N65

The Nectre N65 features include a steel baffle with steel brick retainer and firebrick lining. This means there is more thermal mass for longer heat retention.

You're going to find the wood storage box to be extremely convenient! Vertically stacking wood in the Nectre N65 is quick and easy. This technique provides interesting flames that create a feeling of comfort and security for you and your family.

N350 AND N550

The Nectre N350 and N550 are wood-fired combination oven, cook stove & heaters with powerful heat output and stylish good looks. You'll enjoy wonderful and cozy radiant warmth, along with terrific cooking performance.

The N350 and N550 models feature a flue bypass damper. When closed, heat from the flue spills over the internal side plates of the firebox creating a convection cooking effect. It's easy to maintain consistent oven temperatures with the F° and C° thermometer.

Both combination stoves are supplied with two wire cooking racks and a cook top with two removeable cooking rings. Both models have standard stay cool spring handles on durable cast iron doors.

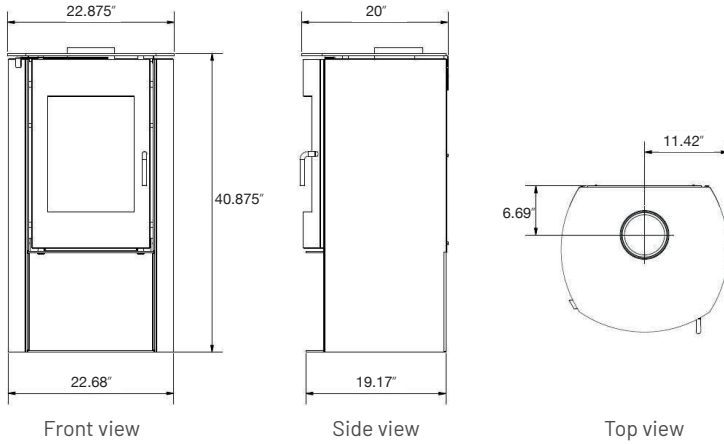


NECTRE N350



TECHNICAL SPECIFICATIONS

NECTRE N65



BTU		FIREBOX			EFFICIENCIES			VENTING		
Cordwood	EPA	Cu. Ft	Vertical Log Length	Horizontal Log Length	g / hr	Optimal %	HHV	Type	Diameter	Min. Height
68,500	68,531	1.47	16"	12.625"	1.98 g	75 %	69.60 %	Class A	6-inch	15 feet

GLASS			WEIGHT	DIMENSIONS			CLEARANCE TO COMBUSTIBLE					
Type	Dimensions	Area sq in	Lbs	Width	Depth	Height	Simple Wall Pipe			Double Wall Pipe		
							Back	Side	Corner	Back	Side	Corner
Ceramic	12.875" X 17"	218	419	22.875"	20"	40.875"	13"	12"	10.5"	10"	12"	6"

The Nectre N65 is a clean burning wood heater. Together with great looks and easy to use functions the Nectre N65 is fast becoming a crowd favourite and fits beautifully in either a traditional or contemporary living area.

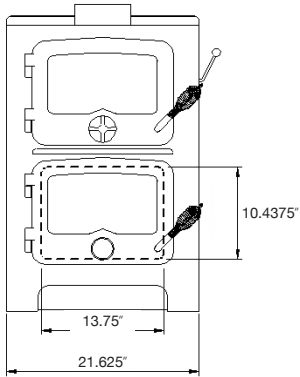
- High efficiency performance.
- Sleek and contemporary design.
- Runs for up to eight hours with low emissions.
- Integrated wood storage area.
- Durable steel construction.
- Trendy vertical logs fires.



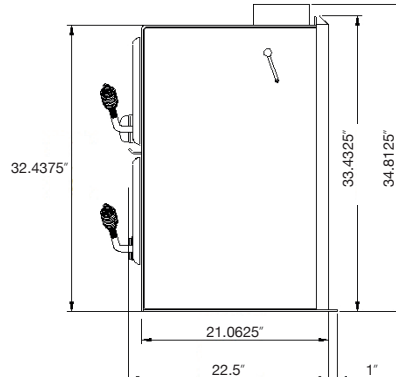


TECHNICAL SPECIFICATIONS

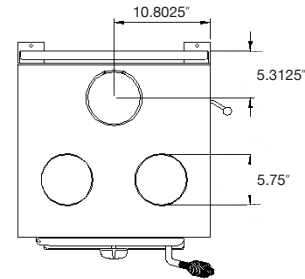
NECTRE N350



Front view



Side view



Top view

BTU			FIREBOX			OVEN			
Cordwood	EPA	Efficiencies	Cu. Ft	Dimensions	Log Length	Cu. Ft	Dimensions	Opening	Grids
30,000	Exempt	78 %	1.16	13.5625" X 11.8125" X 12.5"	13" Max	1.47	14.1875 X 13.375" X 11.0625"	13.75 X 10.4375"	13.375 X 11.4375"

GLASS			WEIGHT		OVERAL DIMENSIONS			VENTING	
Type	Dimensions	Area sq in	Lbs	Width	Depth	Height	Type	Diameter	
Ceramic	13.125" X 7.625"	100	379	21.625"	22.5"	33.4375"	Class A	6-inch	

The Nectre N350 wood burning cookstove provides excellent warmth and cooking performance. With a small footprint it fits in just about any living space without being obtrusive. The cook top adds a warming or direct cooking option.

Check with your council before purchase regarding local regulations for installation of the Nectre N350.

- Allows for off-grid baking.
- Two cooking grids included.
- Convenient and easy to lift round cooking plates.
- Built-in thermometer to read in both Farenheit and Celsius.
- Adjustable bypass that allows for greater fire and oven temperature control.
- Cool touch spring handles.



Nectre

BY AMBIANCE®

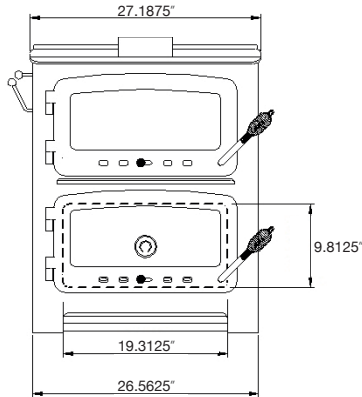


NECTRE N550

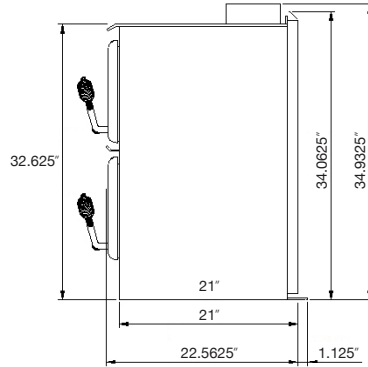


TECHNICAL SPECIFICATIONS

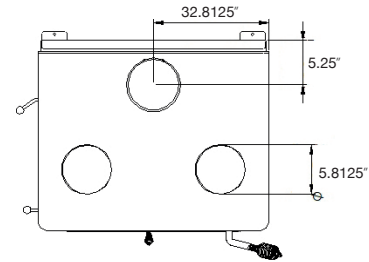
NECTRE N550



Front view



Side view



Top view

BTU			FIREBOX			OVEN			
Cordwood	EPA	Efficiencies	Cu. Ft	Dimensions	Log Length	Cu. Ft	Dimensions	Opening	Grids
65,000	Exempt	78 %	1.46	19.0625" X 11.25" X 11.8125"	18" Max	1.66	19.6875 X 12.875" X 11.3125"	19.3125 X 9.8125"	19.0625 X 11.4375"

GLASS			WEIGHT		OVERAL DIMENSIONS			VENTING	
Type	Dimensions	Area sq in	Lbs	Width	Depth	Height	Type	Diameter	
Ceramic	18.75" X 7.875"	148	514	27.1875"	22.5625"	34.0625"	Class A	6-inch	

The Nectre N550 produces amazing radiant warmth and coverage. Designed with character and charm, it provides a spacious oven for those Sunday roasts. The cook top adds a warming or direct cooking option with removable rings.

Check with your council before purchase regarding local regulations for installation of the Nectre N550.

- Allows for off-grid baking.
- Two cooking grids included.
- Convenient and easy to lift round cooking plates.
- Built-in thermometer to read in both Fahrenheit and Celsius.
- Adjustable bypass that allows for greater fire and oven temperature control.
- Cool touch spring handles.



WHY CHOOSE AMBIANCE®?

Ambiance® transforms a house into a home!

Ambiance® products will add elegance, peace of mind and comfort to the Soul of your home. All Ambiance® products are carefully selected and designed with your family in mind, to enrich the areas of your home where memories and life take place. The best quality and innovation are shown in the enhanced details and features that add a little «je ne sais quoi» in our Ambiance® designs.

Who are our designers? They are a network of over 300 Hearth & BBQ authorized members from coast to coast covering both Canada and USA. From Alaska to Québec and from Florida to California, they know what it takes to warm up your life and use their real-world experience to design quality and innovative products for your home.

Who can sell the Ambiance® products? Only our selected authorized dealers who are local professionals and who understand your local codes and standards.

A house needs a sense of Ambiance® to transform into a home.

*Ambiance®
the Soul of your home*



NECTRE N550



WOOD FIREPLACES STANDARD FEATURES INCLUDES

- › Suited for off grid use.
- › Durable steel construction
- › Sold and installed by the very best network of Fireplace Stores in the country!
- › Certified and safety tested by top agencies in North America, including CSA and ANSI.