



AMBIANCE®

FIREPLACES | BBQ | OUTDOORS | SPAS

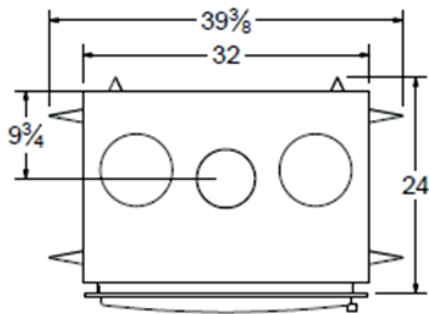
Elegance®
WOOD COLLECTION

Model: Elegance® 42

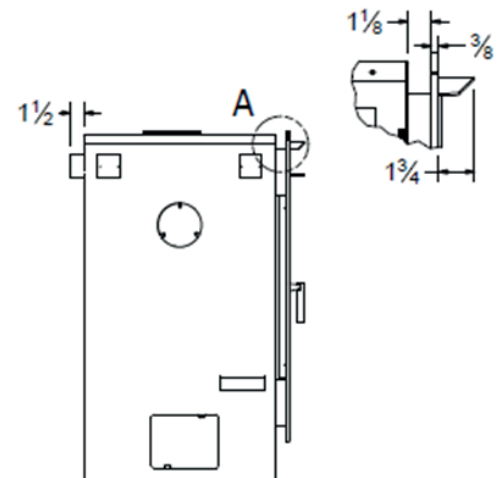
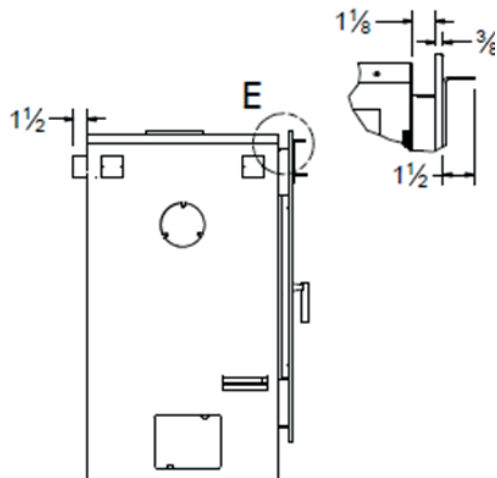
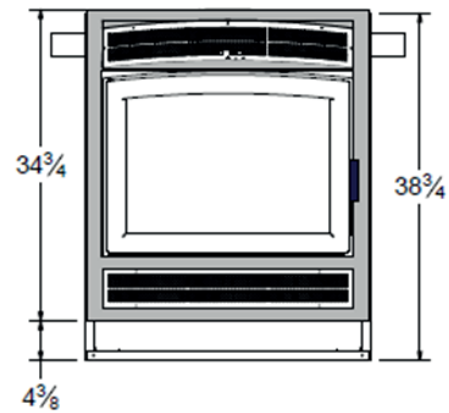
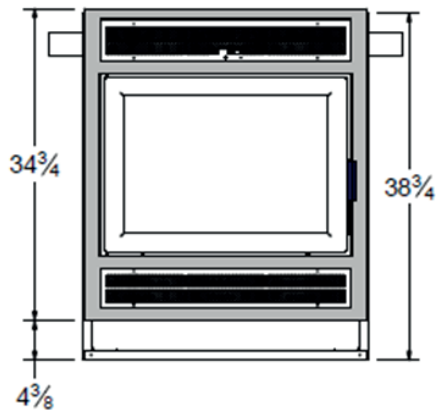
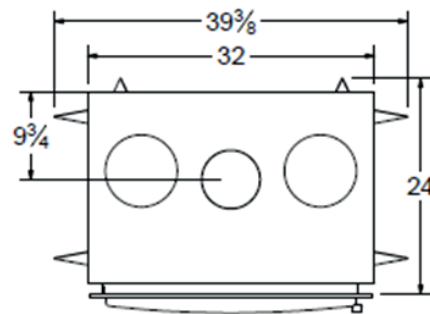
Overall Dimensions

With Louvers

Rectangular



Arched





AMBIANCE®

FIREPLACES | BBQ | OUTDOORS | SPAS

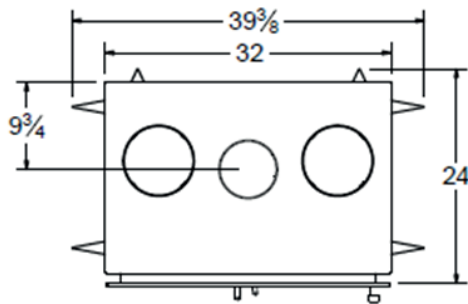
Elegance®
WOOD COLLECTION

Model: Elegance® 42

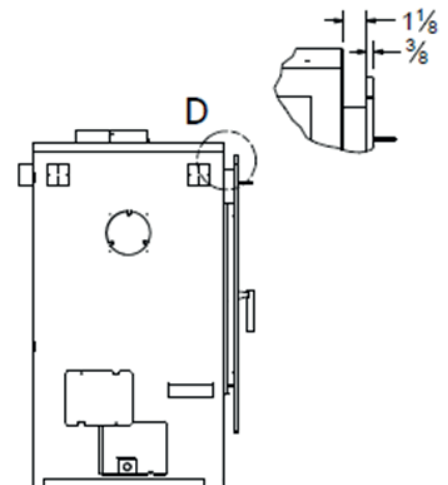
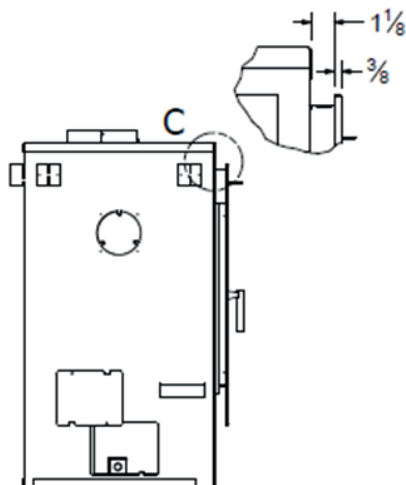
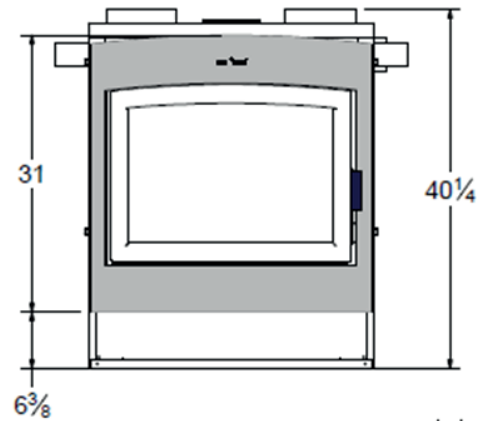
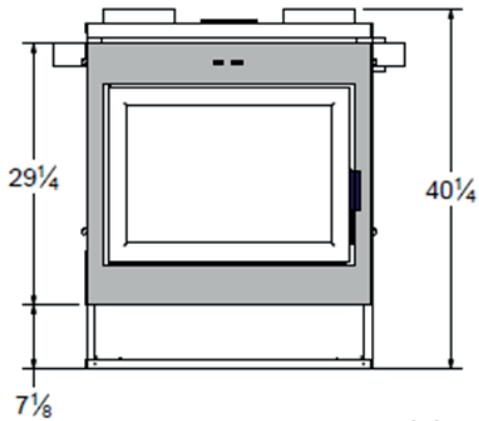
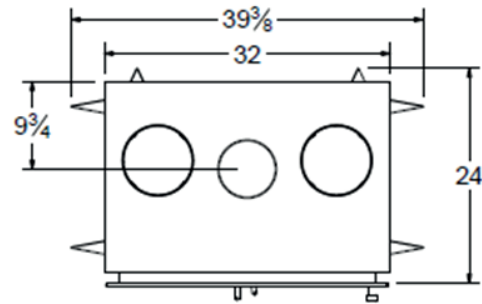
Overall Dimensions

Clean Face

Rectangular



Arched



Model: Elegance[®] 42

Specifications

BTU		FIREBOX		EFFICIENCIES			VENTING		
Cordwood	EPA	Cu. Ft	Log Length	g / hr	Optimal %	LHV	Type	Diameter	Brands
100,000	26,354	3.8	23"	1.85 g	75 %	72.6 %	Class A	6-inch	All

GLASS			WEIGHT	DIMENSIONS			BLOWER INCLUDED	
Type	Dimensions	Area sq in	Lbs	Width	Depth	Height	Type	CFM
Ceramic	15.9" X 23.4"	372	350	39.375"	24.375"	39.125"	Variable Speed	165

Framing and Clearances

The Elegance[®] 42 can be placed directly onto or against normal, combustible construction materials such as lumber, plywood, millboard, particleboard, drywall and decorative wood paneling. The fireplace should NOT be placed directly against or be in contact with an insulation material. A portion of the framing on the face of the chase must be constructed with nominal 2" x 3" or 2" x 4" metal studs and the remainder can be constructed with nominal 2" x 3" or 2" x 4" lumber. Refer to Figure 3-10 for an example of a framing design and Figure 3-11 for the framing for installations of the single linear front louver gravity kit. The framing must be nailed or screwed onto the floor and to the ceiling.

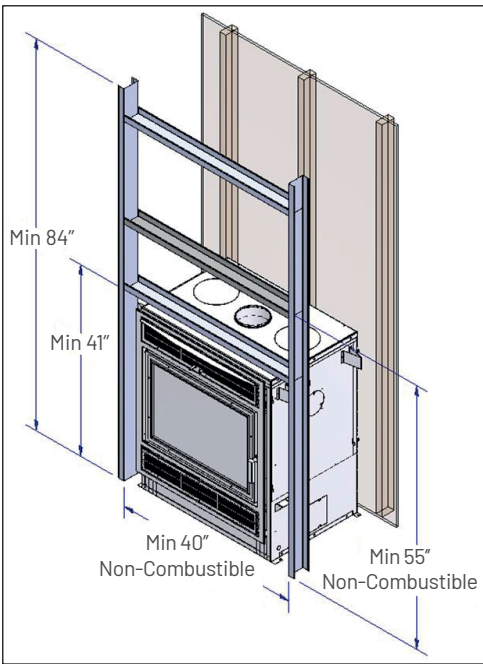


Figure 3-10: Minimum Elegance[®] 40 Framing Dimensions

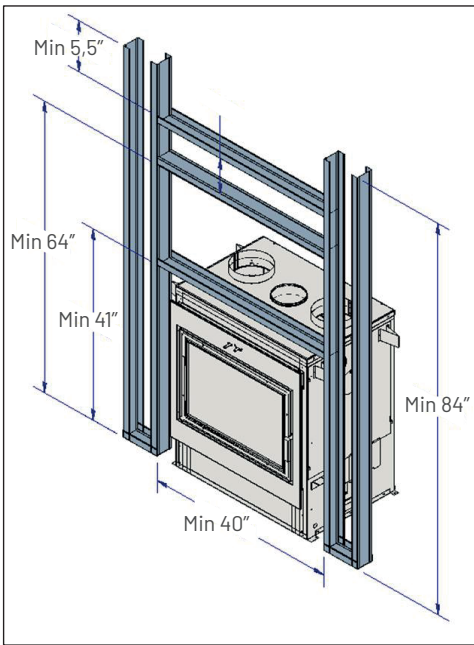


Figure 3-11: Minimum Framing Dimensions for Single Linear Front Louver Gravity Kit Installations

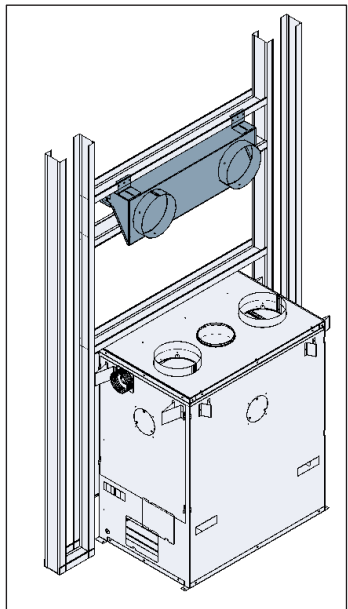


Figure 3-26: Linear Duct/Louver Adapter Installation



Model: Elegance® 42

Chase Installation

A portion of the front of the chase must be constructed out non-combustible material. Refer to Figure 3-39, 3-40, and 3-41 for dimensions. Note the chase must be properly fastened onto the framing structure.

WARNING: Do not nail or screw the chase onto the fireplace.

For the clean face surround option, two intake openings must be constructed onto the chase, as well as two outtake openings or one if installing the linear single louver front. Refer to Figures 3-39 and 3-41 for minimum clearances.

Clean Face Linear Louver Configuration (LV32)

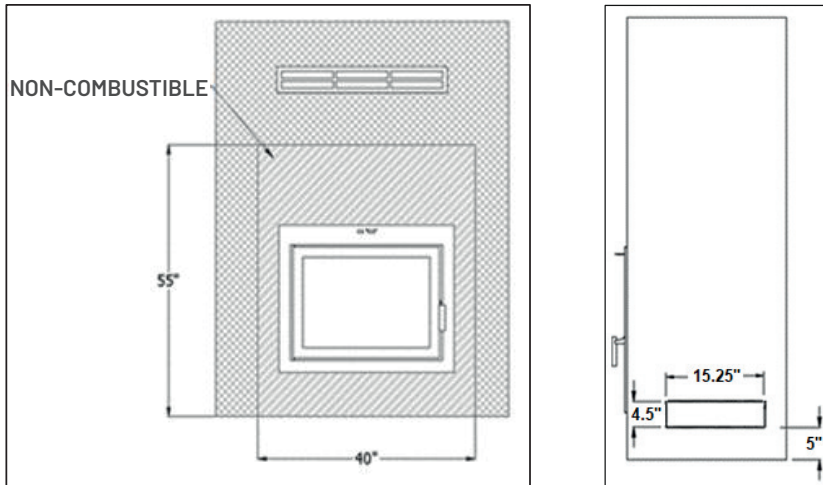


Figure 3-41: : 41: Front Chase for Clean face Linear Louver Configuration

Table 3-7: LV32 Components

ITEM	DESCRIPTION	QTY	ILLUSTRATION
LV3210	Linear front outtake louver	1	
SL1110	Linear duct/louver adapter	1	
4358C26	90° elbow, 8" diameter	2	
HAMGC-128	8" worm gear clamp	4	
CAC8	8" duct 5' long	2	
LV1610	16"x 5" grille for intakes	2	

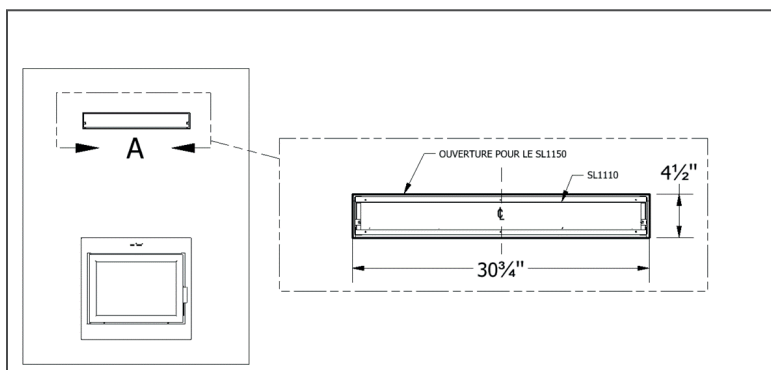


Figure 3-35: Opening for Air Outtake

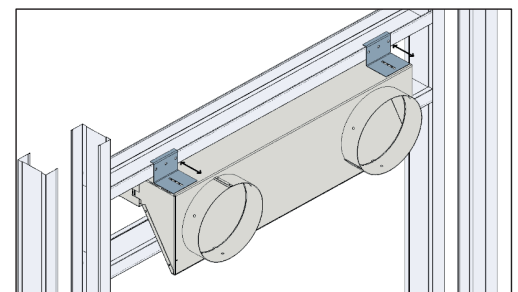


Figure 3-27: Adjustable Brackets of Linear Duct/Louver Adapter



Model: Elegance® 42

Clean Face Louver Configuration (KG540)

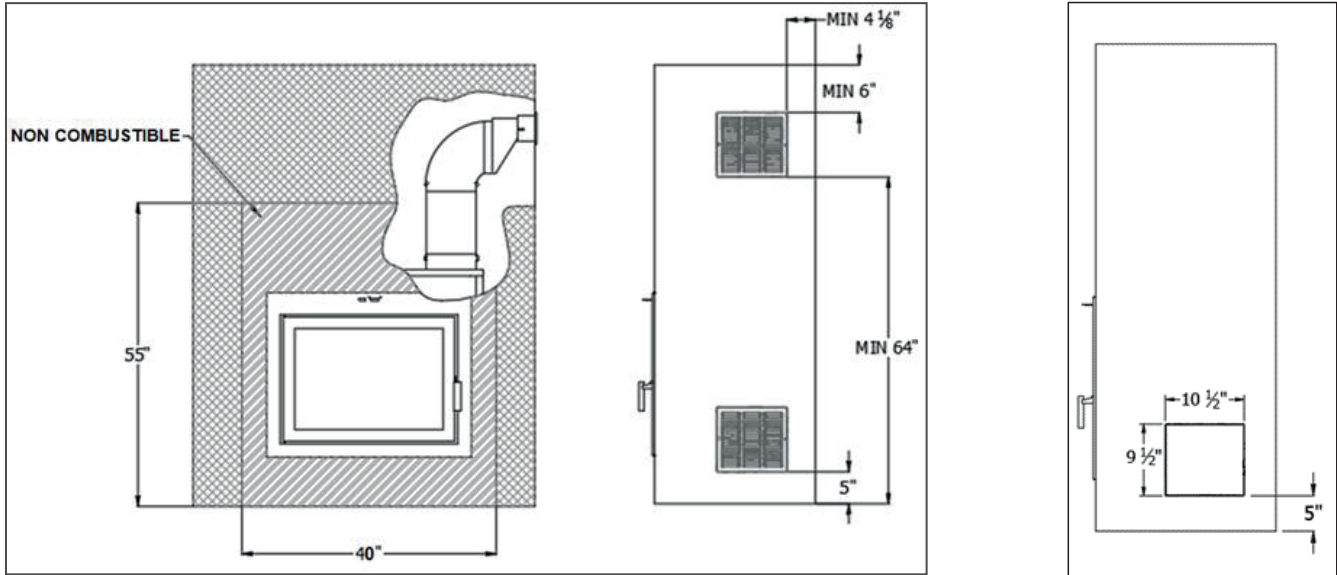


Figure 3-39: Front and Side Chase for Clean Face Dual Louver Configuration

Table 3-6: KG540 Components

ITEM	DESCRIPTION	QTY	ILLUSTRATION
LW1211	12"x 11" grille for intakes and outtakes	4	
LW1000	Duct/louver adapter	2	
4358C26	45° elbow, 8" diameter	2	
HAMGC-128	8" worm gear clamp	4	

Traditional Louvered Surround Configuration

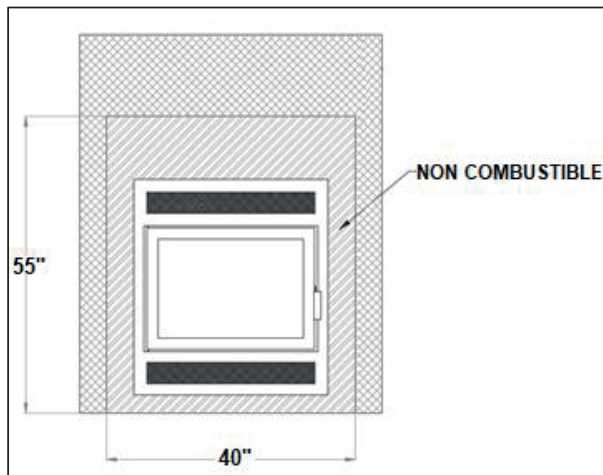


Figure 3-40: Front Chase for Traditional Surround Option



AMBIANCE[®]

FIREPLACES | BBQ | OUTDOORS | SPAS

Elegance[®]
WOOD COLLECTION

Model: **Elegance**[®] 42

Installation

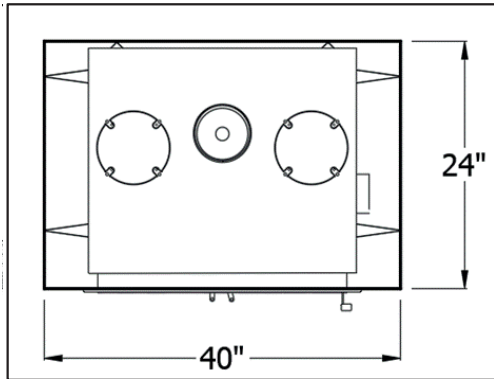


Figure 3-1: Straight Wall Installation

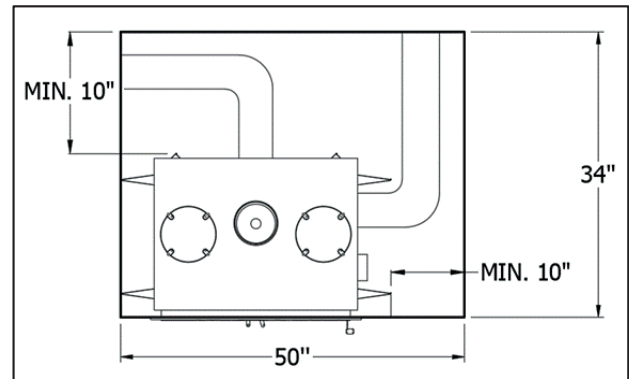


Figure 3-3: Space Required for Forced Hot Air System Installations

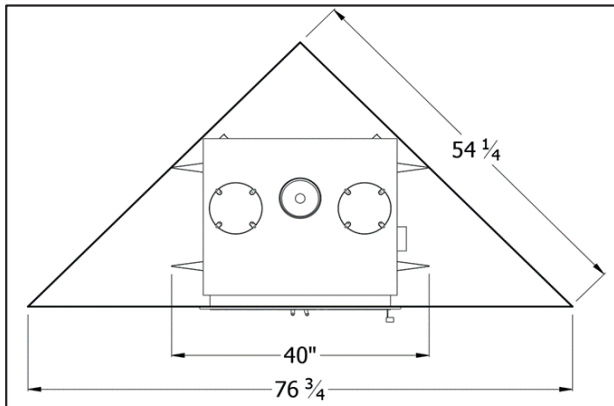


Figure 3-2: Corner Installation

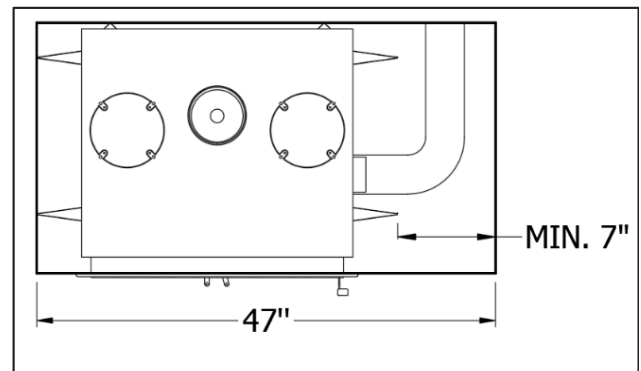


Figure 3-4: Space Required for Fresh Air Kit Installations



AMBIANCE®

FIREPLACES | BBQ | OUTDOORS | SPAS

Elegance®
WOOD COLLECTION

Model: Elegance® 42

Hearth Extension

The hearth extension of the Elegance® 42 must comprise of a non-combustible material, such as steel, cement or mortar, bricks, or ceramic tiles. Note that unidentified materials may be combustible; verify product specifications prior to installation. The hearth extension must extend a minimum of 18" from the front of the door, 8" from side of the outer frame of the door and extended all the way to the unit.

CAUTION: Make sure to remove any carpet or fabric under the hearth extension.

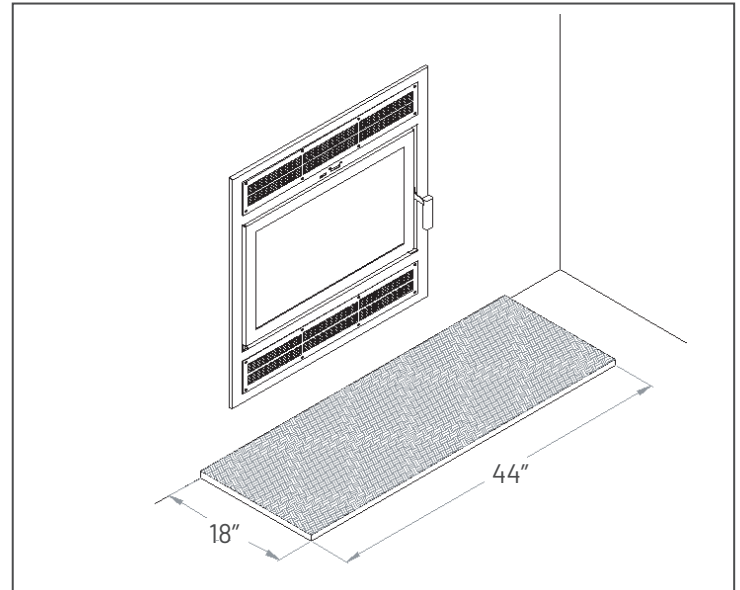


Figure 3-37: Hearth Extension

Gravity Kit Installation

The Clean Face surround comprises no louvers; however, an intake into the chase and an outtake through gravity ducts is required for this configuration. The instructions below describe the installation of the intake openings, and the gravity ducts/ outtakes. Note that in order to connect the gravity ducts to the sides of the chase, the sides of the chase need to be constructed and the front of the chase needs to remain open; to connect the gravity ducts to the front of the chase, the sides need to remain open and the front of the chase needs to be constructed (Figure 3-24). Please note that the SUPREME KG540 kit and the UCAC8 semi-rigid insulated ducts are required for the Gravity Kit installation.

WARNINGS :

- The gravity ducts must extend upwards from the top of the unit and cannot exceed 10 feet.
- The ducts should never extend downwards; only upwards.
- The air outtakes must be installed at a minimum of 64 inches from the floor.
- The gravity ducts must not be connected to a central heating system.
- A clearance must be maintained between the gravity ducts and the chimney.
- The intake swivel covers at the bottom sides must remain open for all Clean Face installations.

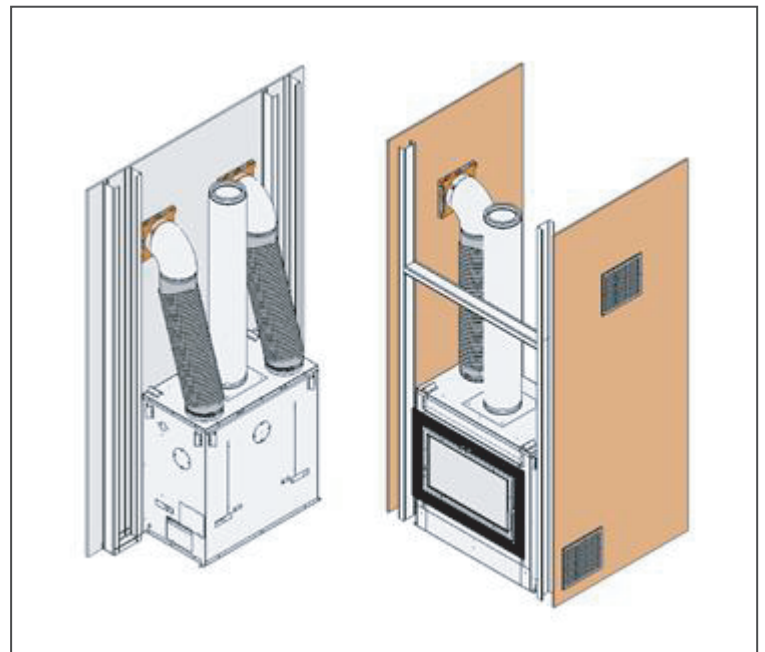


Figure 3-24: Gravity Kit Installation



Model: Elegance® 42

Clearances to Combustibles

The clearances below must be respected to ensure safe operation of the unit under normal and extreme conditions. Failure to follow the information below is a safety hazard and may result in property damage.

Figure 3-8: Overall Clearances

Combustible	Clearance	Reference
Side Wall	16" (407 mm)	Outer edge of fuel door
Side Trim	4" (102 mm)	Outer edge of fuel door
Ceiling	84" (2134 mm)	Base of unit

Figure 3-9: Combustible Mantel Clearances

Maximum Mantel Depth	Distance from the Base of the Elegance® 40 to the Bottom of the Mantel
3" (76 mm)	51.5" (1308 mm)
5" (127 mm)	53.5" (1359 mm)
7" (178 mm)	55.5" (1410 mm)

The depth of the mantel is measured from the face of the fireplace door. When the non-combustible wall is recessed, the depth of the mantel can be increased by the amount of the recess (see Figure 3-42). Note that a combustible mantel cannot be installed below the minimum clearance of 51.5" (from the bottom of the mantle to the base of the unit). A non-combustible mantle doesn't require a minimum distance from the fireplace.

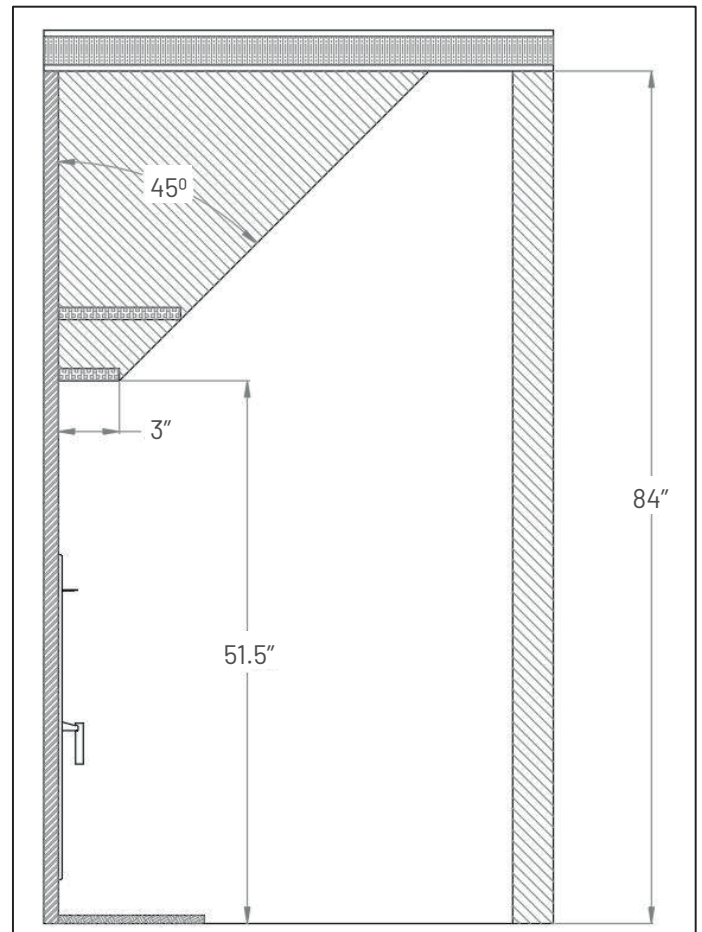


Figure 3-42: : Mantel Clearance