



AMBIANCE®

FIREPLACES | BBQ | OUTDOORS | SPAS

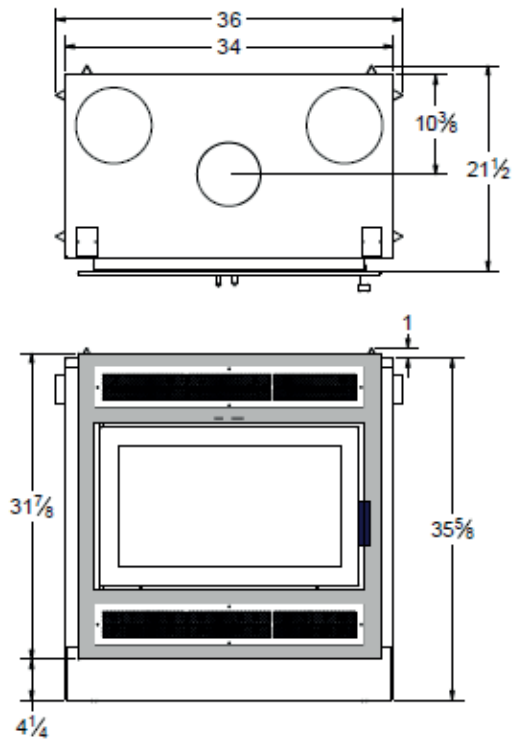
Elegance®
WOOD COLLECTION

Model: Elegance® 36

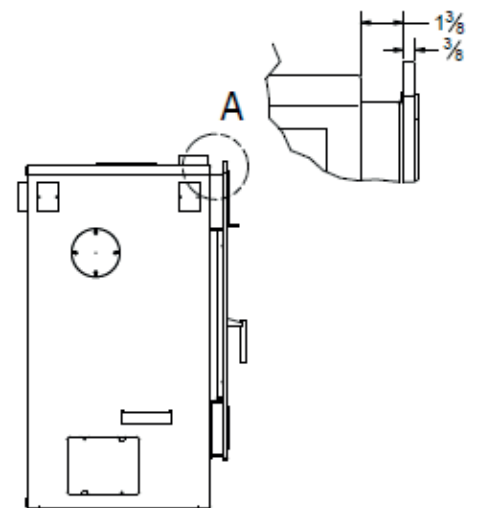
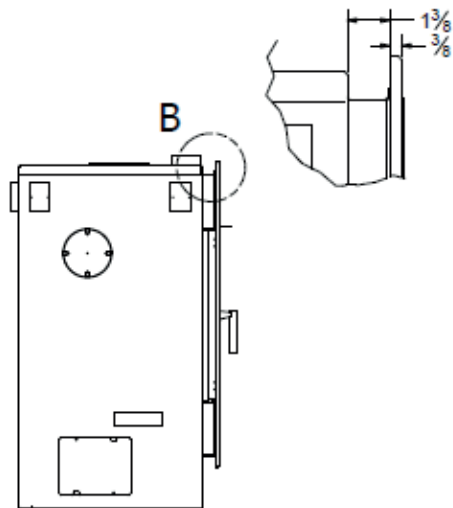
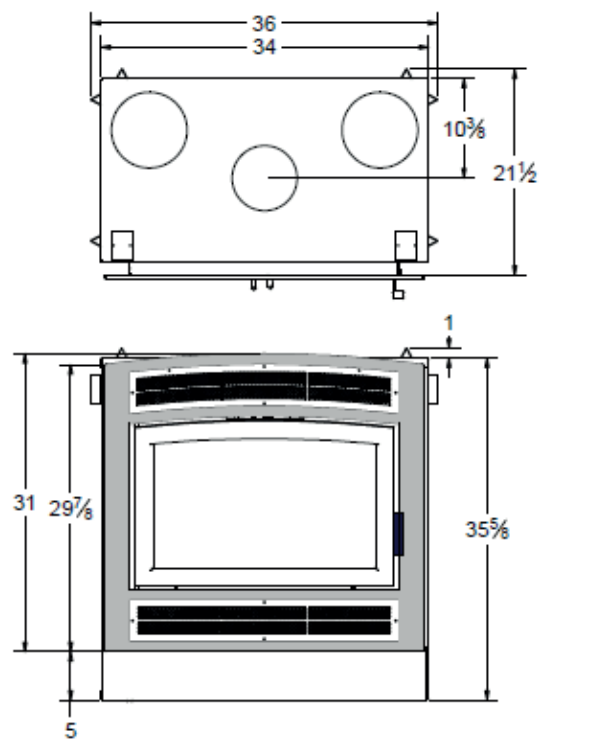
Overall Dimensions

With louvers

Rectangular



Arched





AMBIANCE®

FIREPLACES | BBQ | OUTDOORS | SPAS

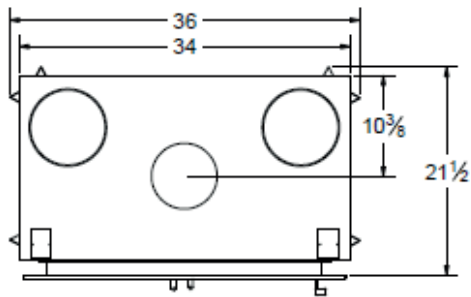
Elegance®
WOOD COLLECTION

Model: Elegance® 36

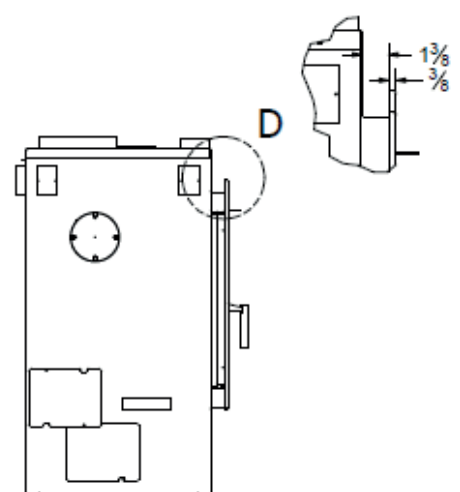
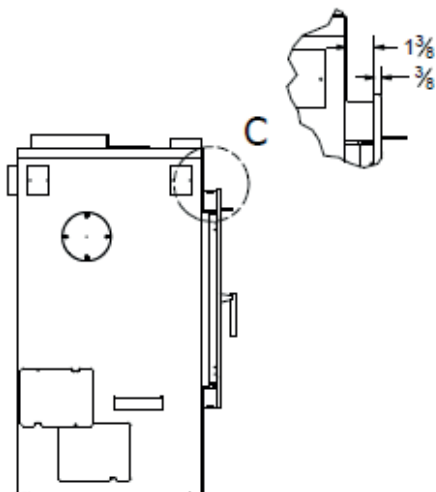
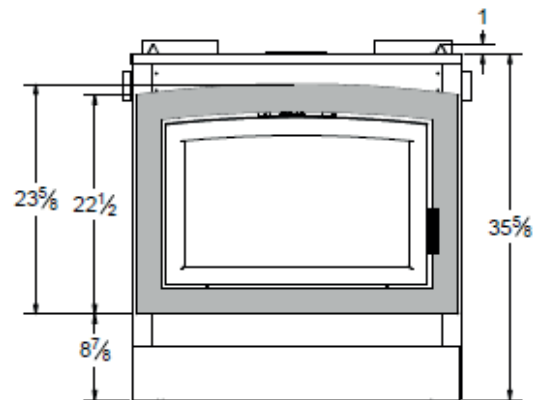
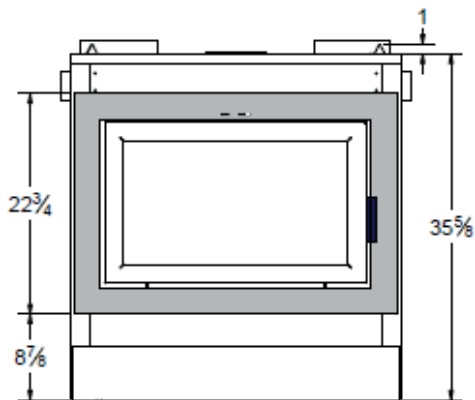
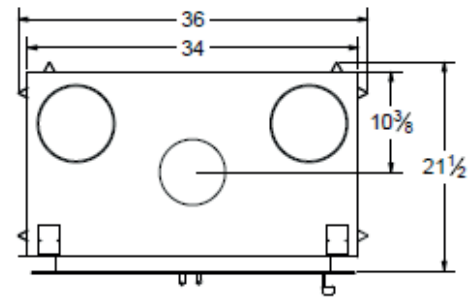
Overall Dimensions

Without louvers

Rectangular



Arched





Model: Elegance® 36

Specifications

BTU		FIREBOX		EFFICIENCIES			VENTING		
Cordwood	EPA	Cu. Ft	Log Length	g / hr	Optimal %	LHV	Type	Diameter	Brands
75,000	25,944	2.4	24"	1.77 g	75 %	72.6 %	Class A	6-inch	All

GLASS		WEIGHT	DIMENSIONS			BLOWER INCLUDED		
Type	Dimensions	Area sq in	Lbs	Width	Depth	Height	Type	CFM
Ceramic	23.75" X 13.4"	318	300	36"	21.875"	36.625"	Variable Speed	165

Framing

The Elegance® 36 can be placed directly onto or against normal, combustible construction materials such as lumber, plywood, millboard, particleboard, drywall and decorative wood paneling. The fireplace should NOT be placed directly against or be in contact with an insulation material. A portion of the framing on the face of the chase must be constructed with nominal 2" x 3" or 2" X 4" metal studs and the remainder can be constructed with nominal 2" X 3" or 2" X 4" lumber. Refer to Figure 3-19 for framing design. The framing must be nailed or screwed onto the floor and to the ceiling.

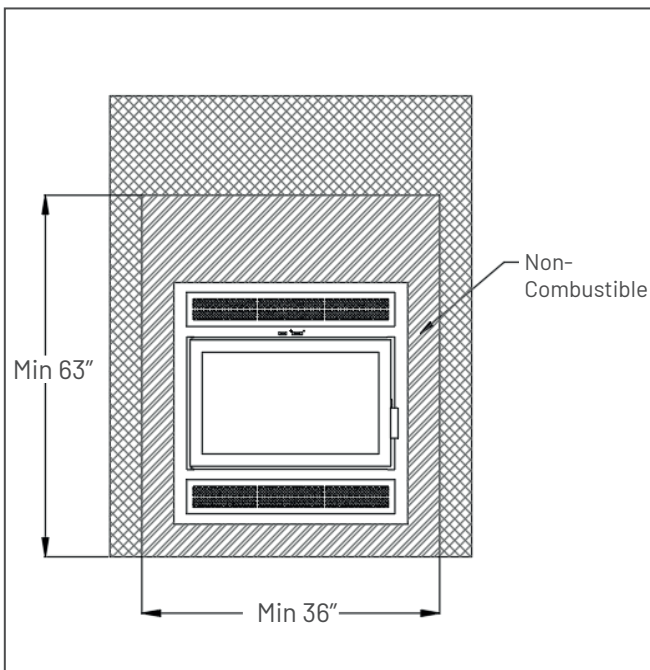


Figure 3-20: Hearth Extension

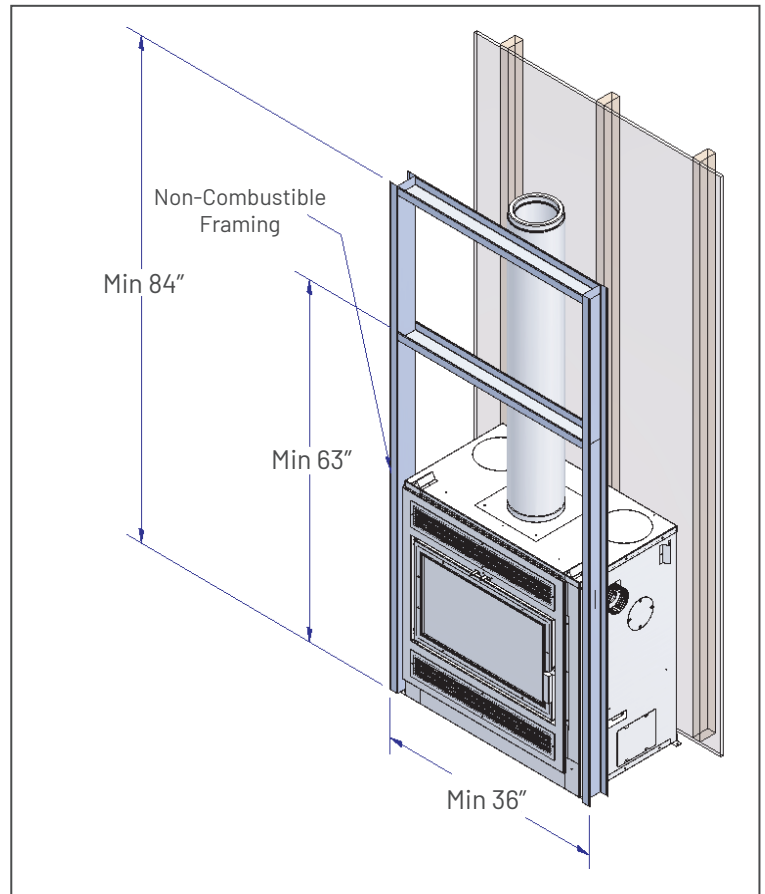


Figure 31-9: Minimum Elegance® 36 Framing Dimensions



Model: Elegance® 36

Installation

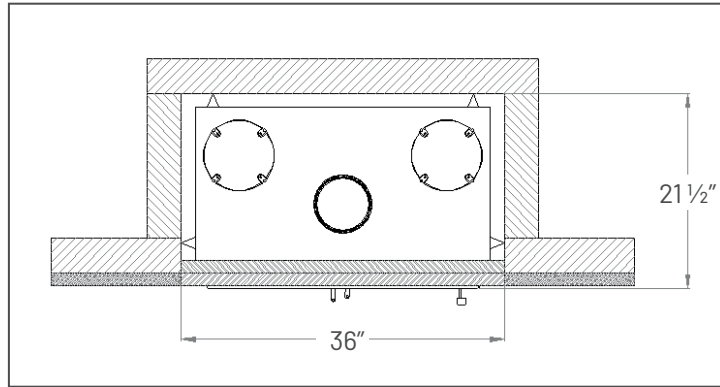


Figure 3-1: Straight Wall Installation

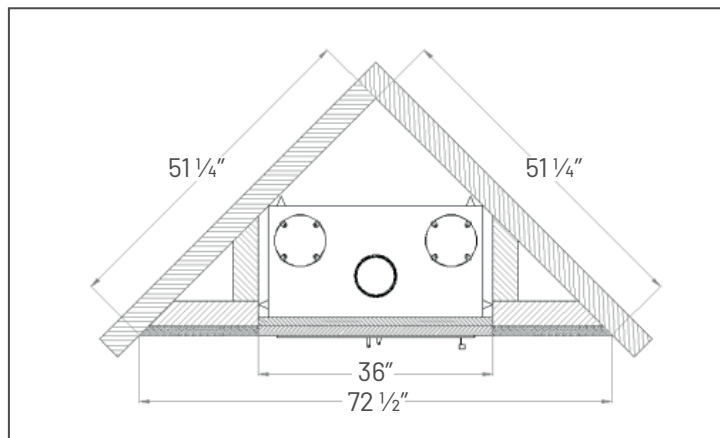


Figure 3-2: Corner Installation

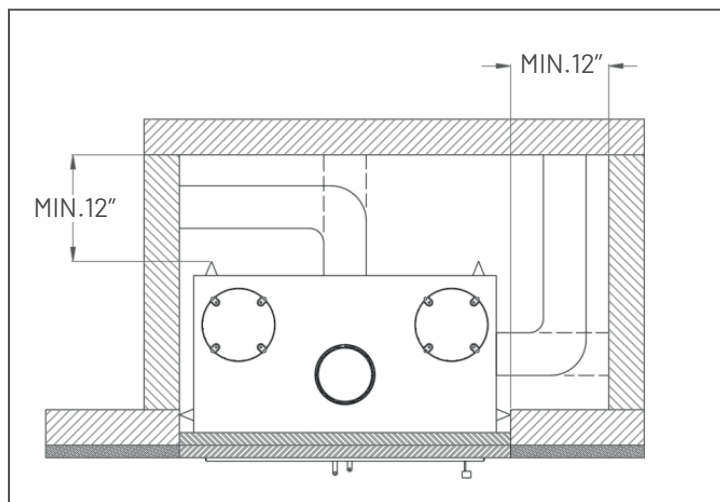


Figure 3-3: Space Required for Hot Air Distribution System and/or Fresh Air Kit Installations



AMBIANCE®

FIREPLACES | BBQ | OUTDOORS | SPAS

Elegance®
WOOD COLLECTION

Model: Elegance® 36

Hearth Extension

The hearth extension of the Elegance® 36 must comprise of a non-combustible material, such as steel, cement or mortar, bricks, or ceramic tiles. Note that unidentified materials may be combustible; verify product specifications prior to installation. In addition, the non-combustible hearth extension must be constructed of materials having a minimum R-Value of 0.390 (refer to Section 3.6.1). The hearth extension must extend a minimum of 18 inches from the front of the door, 8 inches from side of the outer frame of the door, and extended all the way to the unit (see Figures 3-20 and 3-21 for dimensions).

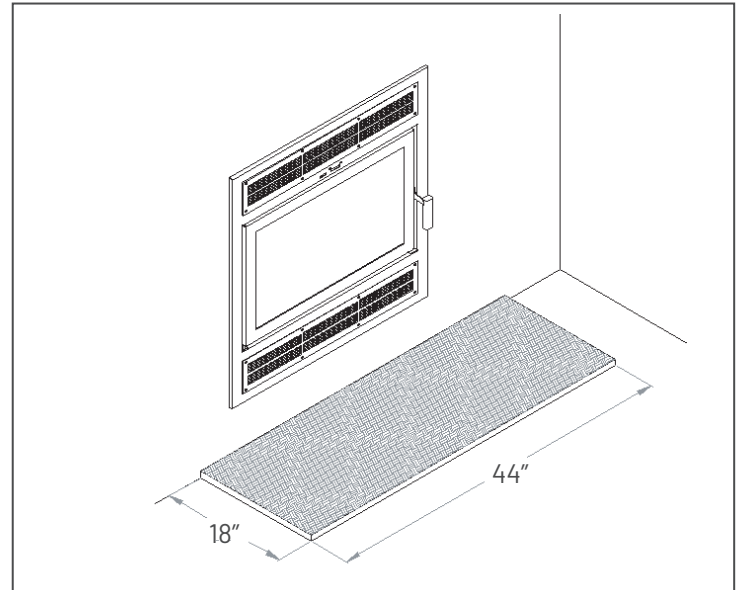


Figure 3-20: Hearth Extension

Gravity Kit Installation

The Clean Face surround comprises no louvers; however, an intake into the chase and an outtake through gravity ducts is required for this configuration. The instructions below describe the installation of the intake openings, and the gravity ducts/ outtakes. Note that in order to connect the gravity ducts to the sides of the chase, the sides of the chase need to be constructed and the front of the chase needs to remain open; to connect the gravity ducts to the front of the chase, the sides need to remain open and the front of the chase needs to be constructed (Figure 3-18). Please note that the SUPREME KG540 kit and the UCAC8 semi-rigid insulated ducts are required for the Gravity Kit installation (Figure 3-17).

WARNINGS :

- The gravity ducts must extend upwards from the top of the unit and cannot exceed 10 feet.
- The ducts should never extend downwards; only horizontally or upwards.
- The air outtakes must be installed at a minimum of 64 inches from the floor.
- The gravity ducts must not be connected to a central heating system.
- A clearance must be maintained between the gravity ducts and the chimney.
- The intake swivel covers at the bottom sides must remain open for all Clean Face installations. Refer to Figure 3-13.
- Refer to Figure 3-21 for clearances to combustibles.

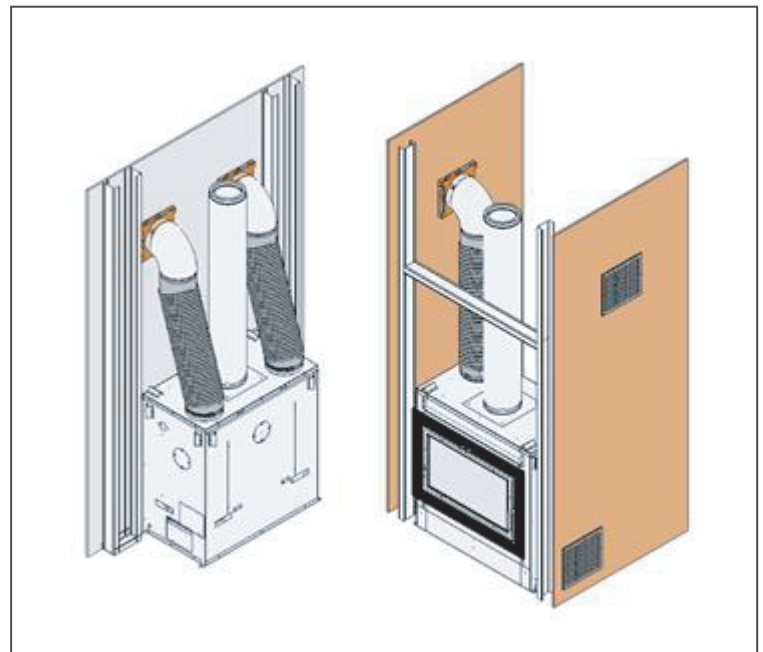


Figure 3-18: Gravity Kit Installation



Model: Elegance® 36

Clearances to Combustibles

The clearances below must be respected to ensure safe operation of the unit under normal and extreme conditions. Failure to follow the information below is a safety hazard and may result in property damage.

Table 3-8: Overall Clearances

Combustible	Clearance	Reference
Side Wall	16" (406 mm)	Outer edge of fuel door
Side Trim	3" (76 mm)	Outer edge of fuel door
Ceiling	84" (2133 mm)	Base of unit

Table 3-9: Combustible Mantel Clearances

Maximum Mantel Depth	Distance from the Base of the Elegance® 36 to the Bottom of the Mantel
3" (76 mm)	51.5" (1308 mm)
5" (127 mm)	53.5" (1359 mm)
7" (178 mm)	55.5" (1410 mm)

The depth of the mantel is measured from the face of the fireplace door. When the non-combustible wall is recessed, the depth of the mantel can be increased by the amount of the recess (see Figure 3-24).

Note that a mantel cannot be installed below the minimum clearance of 51.5 inches (from the bottom of the mantel to the base of the unit).

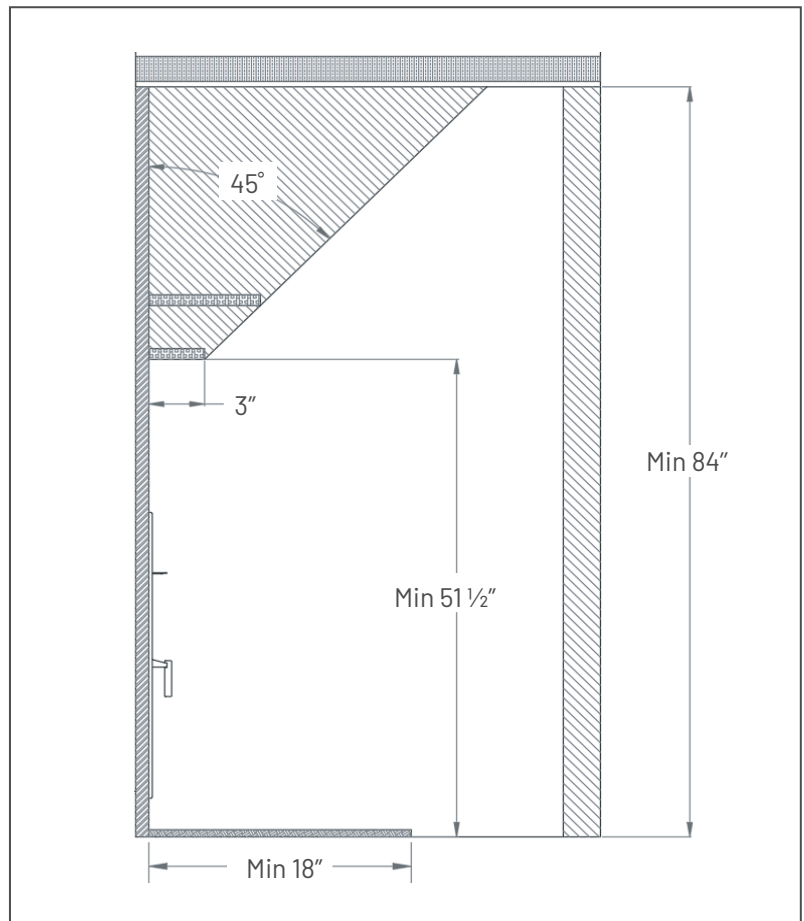


Figure 3-24 : Mantel Clearances