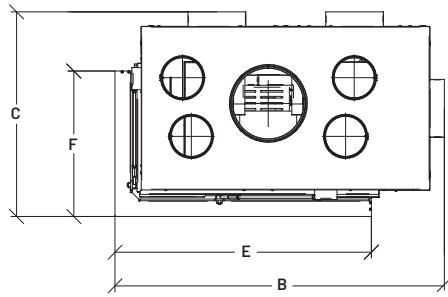
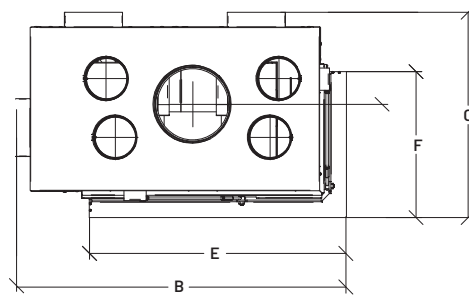




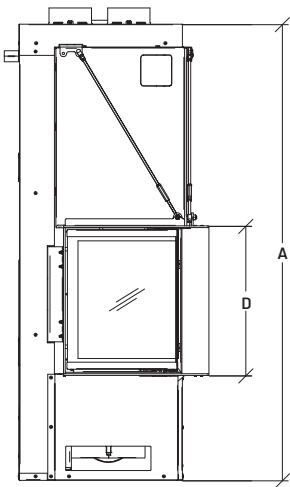
Models: LUXUS® 32 Corner Left, LUXUS® 40 Corner Left, LUXUS® 32 Corner Right, LUXUS® 40 Corner Right  
**Specifications**



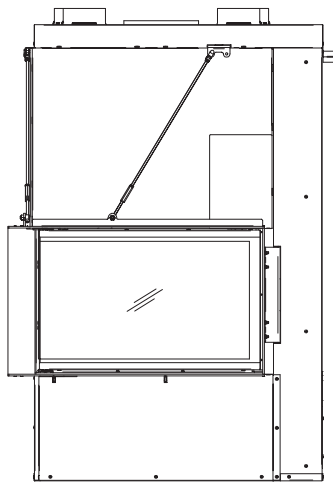
Top view



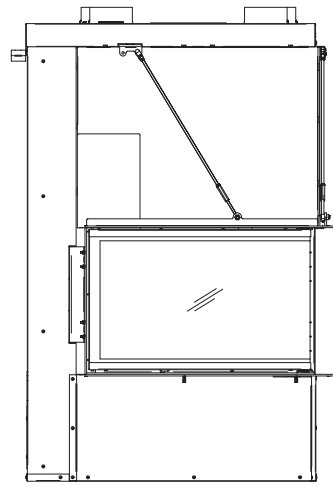
Top view



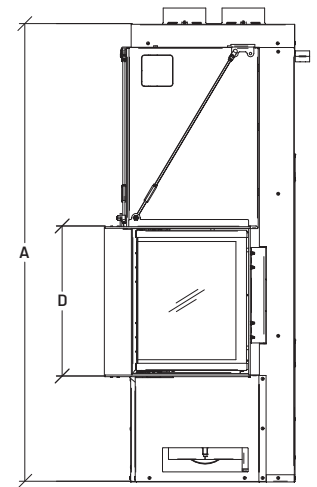
Side view



Front view



Front view



Side view

	BTU		FIREBOX		WEIGHT	VENTING		
	Cordwood	EPA	Cu. Ft	Log Length	Lbs	Type	Diameter	Brands*
32 Corner L / R	46,000	EPA Exempt	4.14	18"	606	Class A	10"	Selkirk, Security Chimneys, ICC RIS, Duravent
40 Corner L / R	49,000	EPA Exempt	4.16	18"	617	Class A	10"	Selkirk, Security Chimneys, ICC RIS, Duravent

	GUILLOTINE GLASS DOOR			DIMENSIONS			AIR CIRCULATION
	Front panel	Side Panel	Total Sq. In.	Height (A/D)	Depth (C/F)	Width (B/E)	Hot air gravity kit
32 Corner L / R	30.5" x 17.375"	15.1875" x 17.375"	794	63.1875" / 20.6875"	28.3125" / 20.125"	45.625" / 35.5"	Required
40 Corner L / R	38.3125" x 17.75"	15.1875" x 17.75"	950	63.5625" / 21.125"	28.3125" / 20.125"	53.5" / 43.375"	Required

\* All brands of chimney require their own anchor plates.



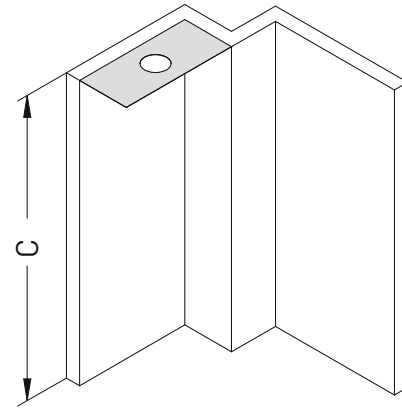
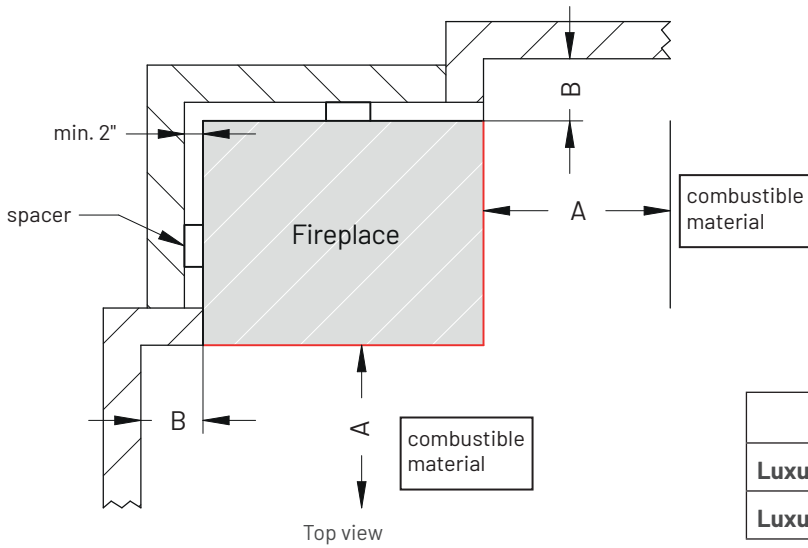
# AMBIANCE®

FIREPLACES | BBQ | OUTDOORS | SPAS

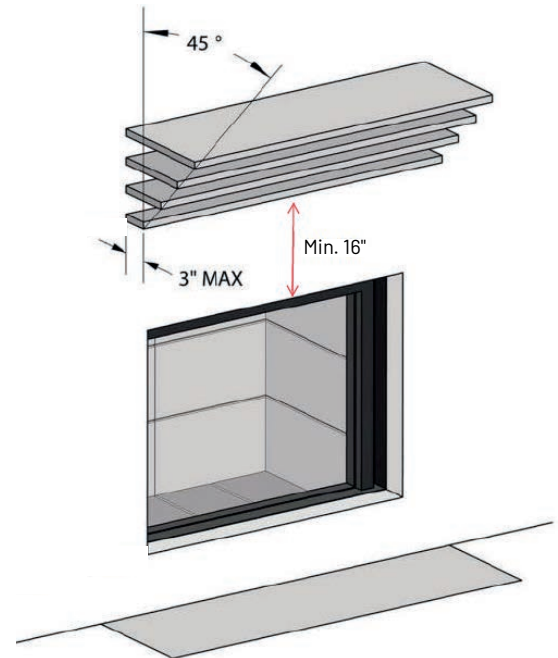
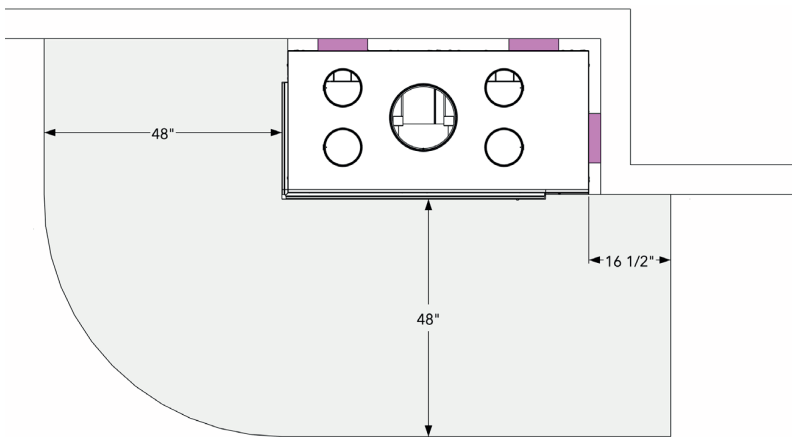
## LUXUS® WOOD SERIES

Models: LUXUS® 32 Corner Left, LUXUS® 40 Corner Left, LUXUS® 32 Corner Right, LUXUS® 40 Corner Right

### Distance to combustibles



	A	B	C
Luxus® Corner Left/Right 32	48"	16.5"	84"
Luxus® Corner Left/Right 40	48"	16.5"	84"



**All Corner Style Fireplaces**  
 Minimum Distance to Combustibles  
 Example: Luxus® Corner Left 40

 = mandatory 2 inch spacer



AMBIANCE®

FIREPLACES | BBQ | OUTDOORS | SPAS

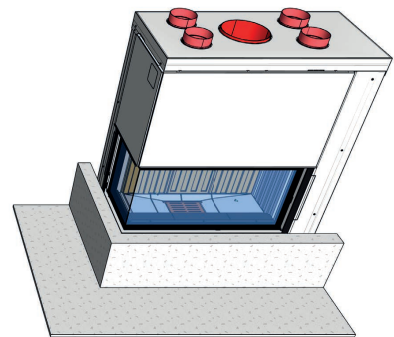
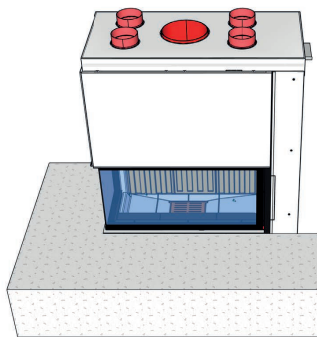
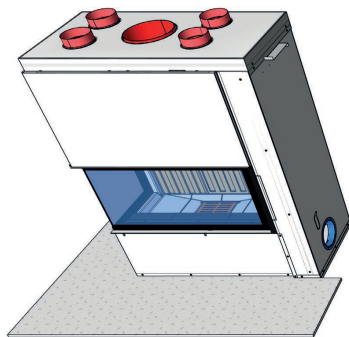
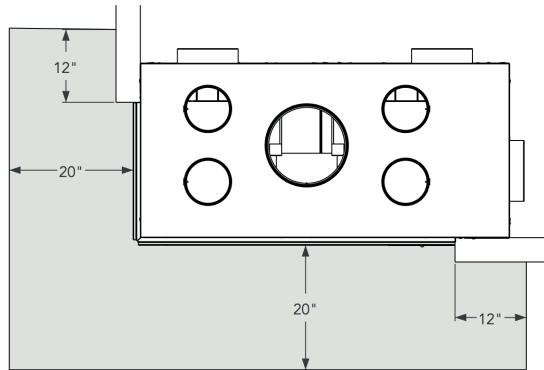
LUXUS®  
WOOD SERIES

Models: LUXUS® 32 Corner Left, LUXUS® 40 Corner Left, LUXUS® 32 Corner Right, LUXUS® 40 Corner Right

### Hearth extension

INSTALL THE HEARTH EXTENSION ONLY AS ILLUSTRATED!

A 20" x 12" (500 mm x 300 mm) minimum hearth extension made of non-combustible material is required. Minimum dimensions of non-combustible hearth extension measured from door glass.





AMBIANCE®

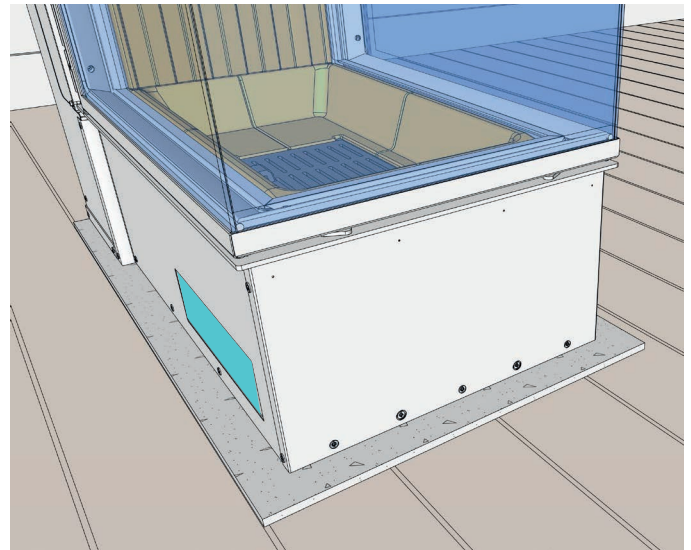
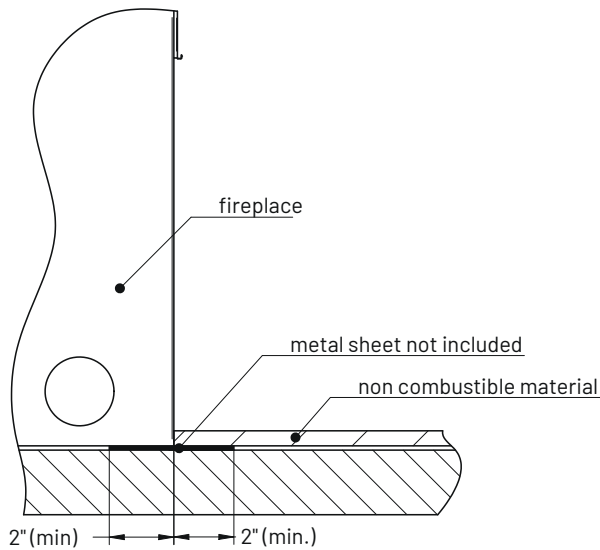
FIREPLACES | BBQ | OUTDOORS | SPAS

LUXUS®  
WOOD SERIES

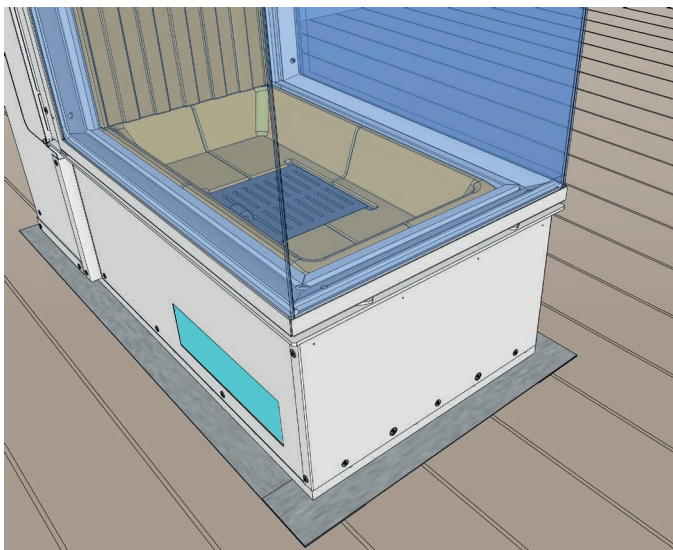
Models: LUXUS® 32 Corner Left, LUXUS® 40 Corner Left, LUXUS® 32 Corner Right, LUXUS® 40 Corner Right

### Hearth extension

To prevent any burning embers from coming in contact with the floor (between the fireplace and the hearth extension), insert a metal sheet under the front of the fireplace. This sheet must extend 4" (100 mm) on both sides of the fireplace and 2" (50mm) in front. You can also prevent embers from falling in the joint between the fireplace and the hearth extension by filling it with mortar grout.



Example: Luxus® Pier 28  
½" cement board on floor



Example: Luxus® Pier 28 On Floor  
½" cement board and metal ember strip



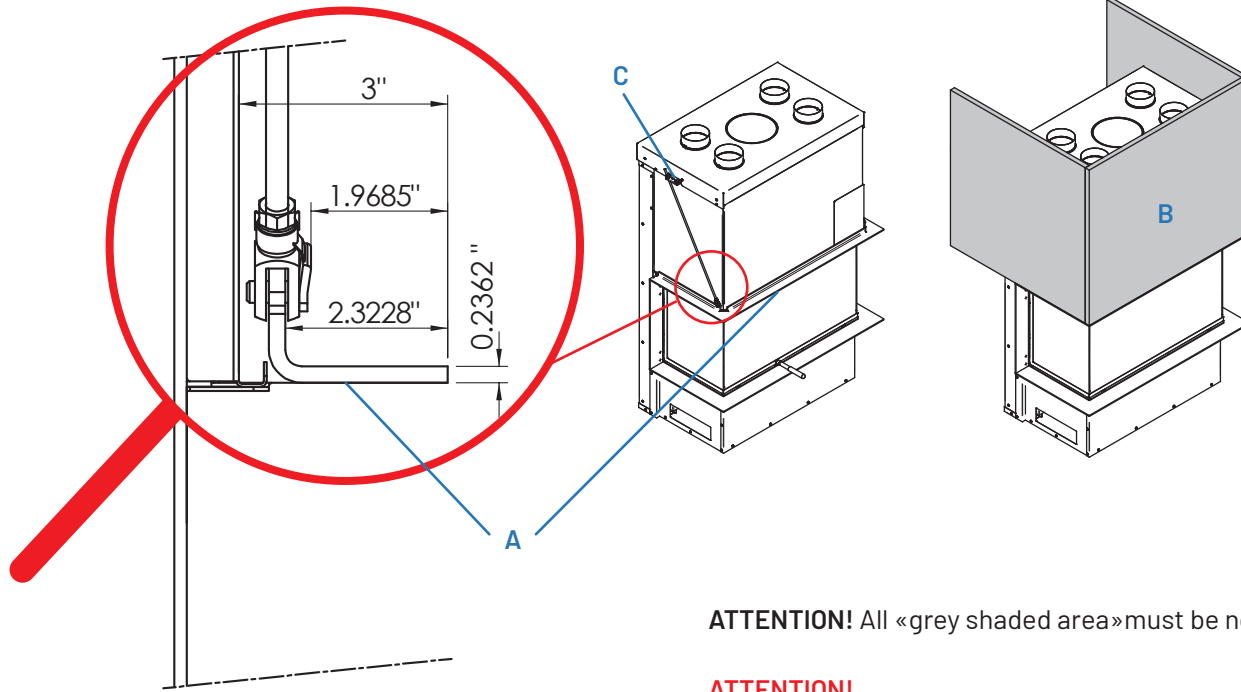
Models: LUXUS® 32 Corner Left, LUXUS® 40 Corner Left, LUXUS® 32 Corner Right, LUXUS® 40 Corner Right

### Frames

Frames available for all units.

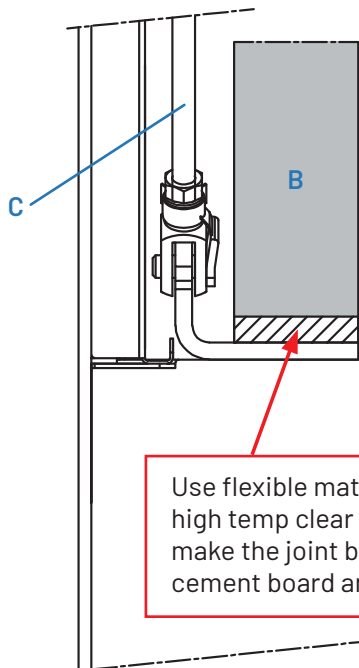
Sliced View of the ledge

The integrated 'L' shaped ledge (A) can receive the non-combustible finishing (B) of your choice. Up to 300 lbs of material. It can be leveled by adjusting the long rods (C) on both sides of the fireplace.



**ATTENTION!** All «grey shaded area» must be non-combustible.

**ATTENTION!**  
maximum load **300 Pounds**



Use flexible material, such as high temp clear silicone, to make the joint between the cement board and the steel trim

A	'L' shaped ledge
B	Non-combustible finishing material
C	Leveling rods



AMBIANCE®

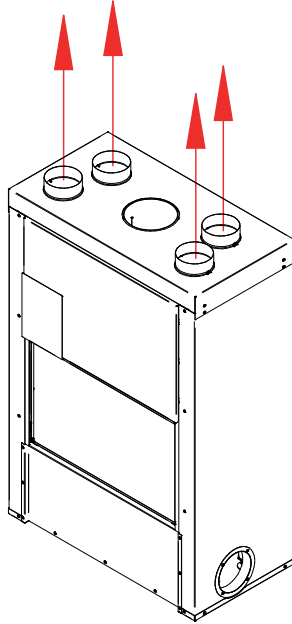
FIREPLACES | BBQ | OUTDOORS | SPAS

LUXUS®  
WOOD SERIES

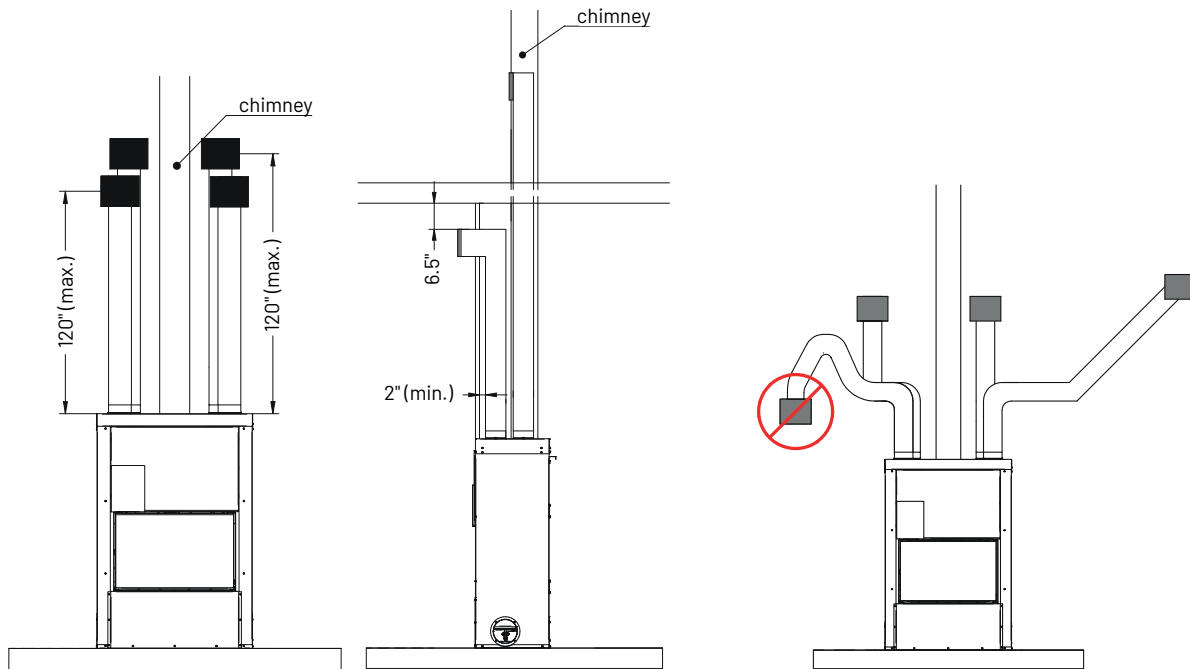
Models: LUXUS® 32 Corner Left, LUXUS® 40 Corner Left, LUXUS® 32 Corner Right, LUXUS® 40 Corner Right

### Minimum clearances to combustibles for convection air grills

Connect at least 4 gravity outlets 6 inch diameter to the convection air outlet ports.



The minimum distance between the convection air grills and the ceiling or other combustibles is 6.5 inches. Only use non combustible materials 6.5 inch surrounding the convection air grills.



For installation use flexible aluminium liner with 1 inch insulation.

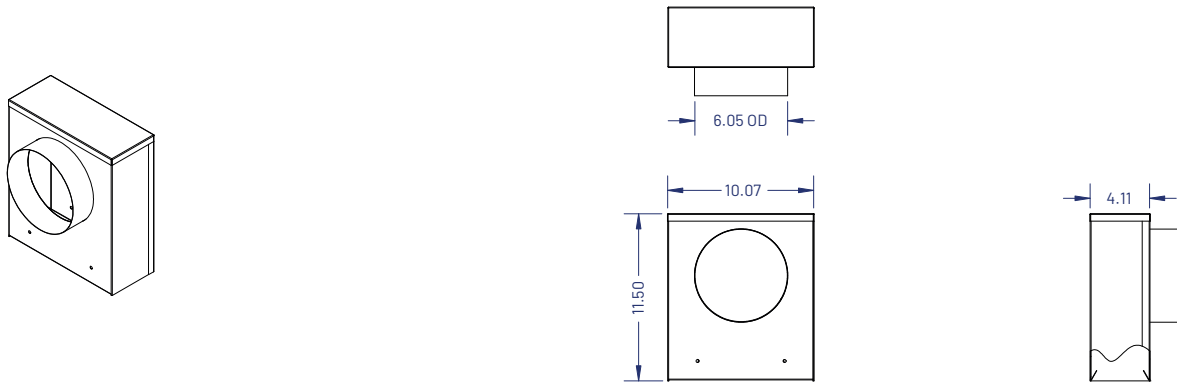
The Gravity Distribution Kit may be used to heat rooms located above, behind and either side of the room where the fireplace is located. Note that, if the hot air outlets are located at various levels, the heat will tend to seek the one at the highest level. It is not permitted to connect two ducts together.



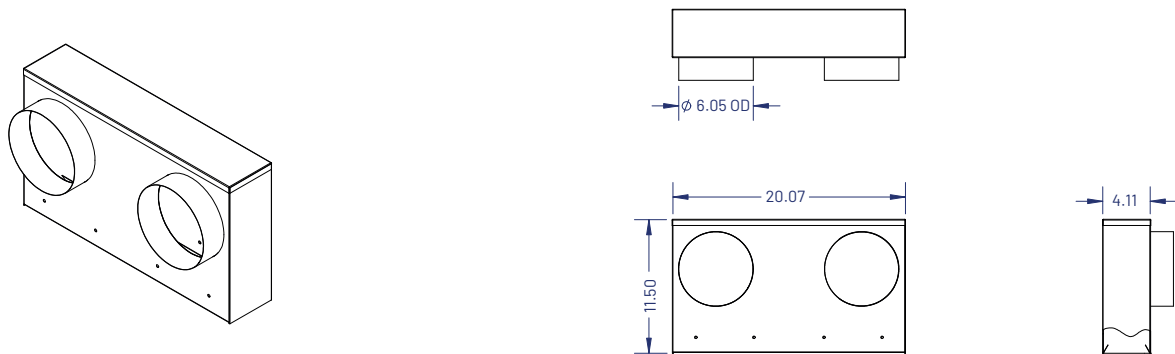
Models: LUXUS® 32 Corner Left, LUXUS® 40 Corner Left, LUXUS® 32 Corner Right, LUXUS® 40 Corner Right

### Convection Air Distribution (Plenums)

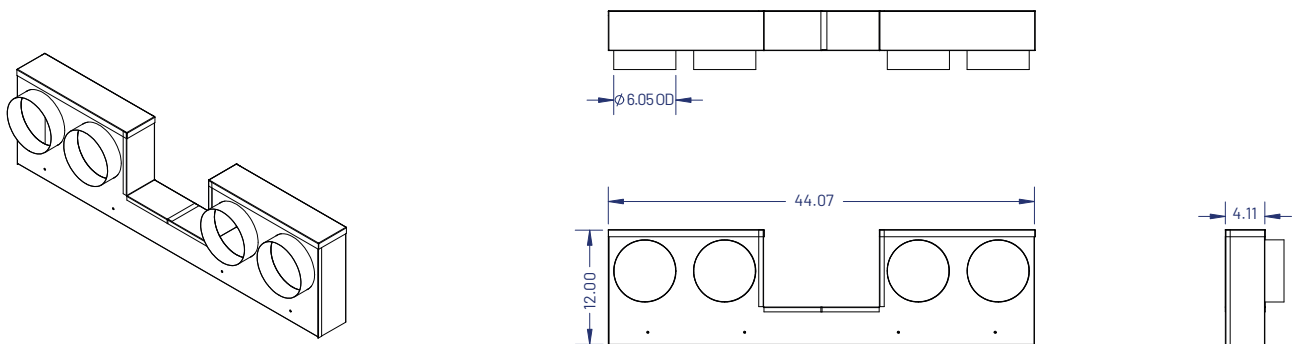
#### One Inlet Plenum



#### Two Inlets Plenum



#### Four Inlets Plenum

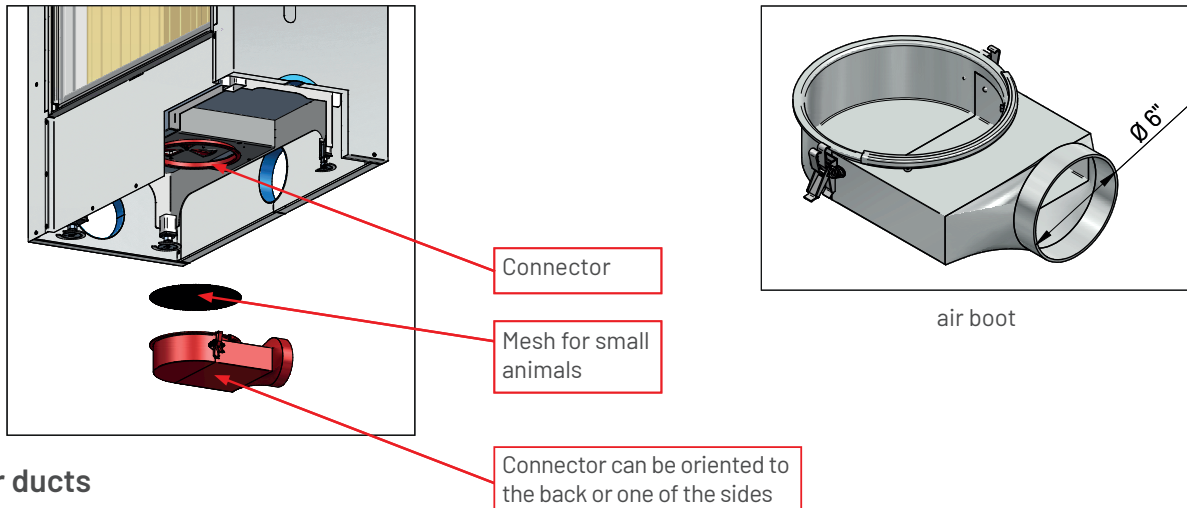




Models: LUXUS® 32 Corner Left, LUXUS® 40 Corner Left, LUXUS® 32 Corner Right, LUXUS® 40 Corner Right

### Fresh air intake

To connect the fresh air directly to the firebox, it is recommended to use the 'air boot' combustion air connector Ø 6" (A # 1018173). Mount the connector directly to the unit. It must be oriented to the back or one side (left for 'Corner Right' units, and right for 'Corner Left' units).

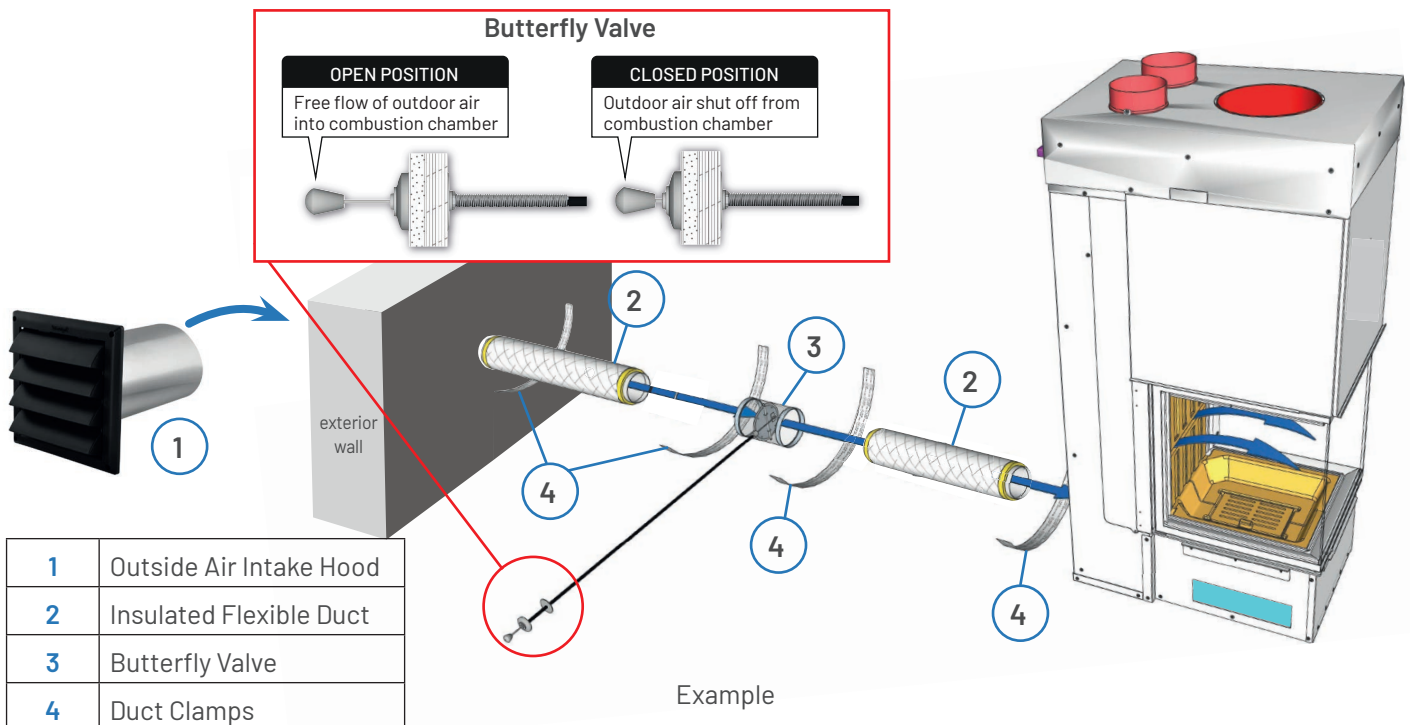


### Fresh air ducts

The fresh air ducts should be kept as short as possible to prevent pressure loss and to prevent cold from coming in.

### Butterfly valve

If you decide to connect separate combustion air it is recommended to install a butterfly valve to prevent condensation and avoid cold air from coming in when the fireplace is not in use. It should ideally be located as close as possible to the outside wall. It can be controlled from inside if it is not too far from the stove (cable length = 47"). DAMPER MUST BE FULLY OPEN WHEN FIREPLACE IS OPERATIONAL.

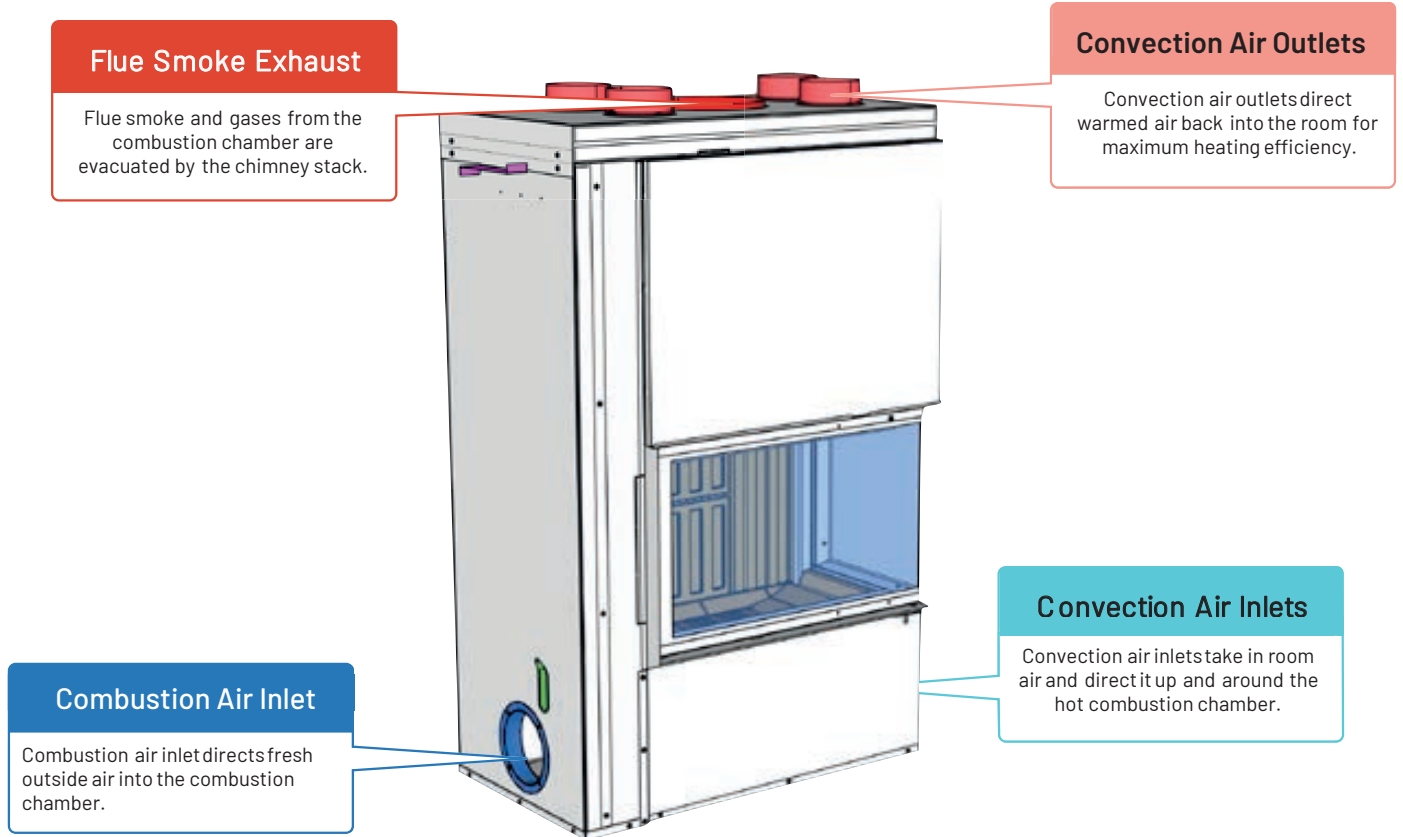






Models: LUXUS® 32 Corner Left, LUXUS® 40 Corner Left, LUXUS® 32 Corner Right, LUXUS® 40 Corner Right

### Inlet & Outlet



CORNER	Combustion Air Inlet	Flue Smoke Exhaust	Convection Air Inlets	Convection Air Outlets
Luxus® Corner Right 32	Under Mount Connector	Ø 10"	one @ 11-5/16"x 3-3/8"	four @ Ø 6"
Luxus® Corner Left 32	Under Mount Connector	Ø 10"	one @ 11-5/16"x 3-3/8"	four @ Ø 6"
Luxus® Corner Right 40	Under Mount Connector	Ø 10"	one @ 11-5/16"x 3-3/8"	four @ Ø 6"
Luxus® Corner Left 40	Under Mount Connector	Ø 10"	one @ 11-5/16"x 3-3/8"	four @ Ø 6"



# AMBIANCE®

FIREPLACES | BBQ | OUTDOORS | SPAS

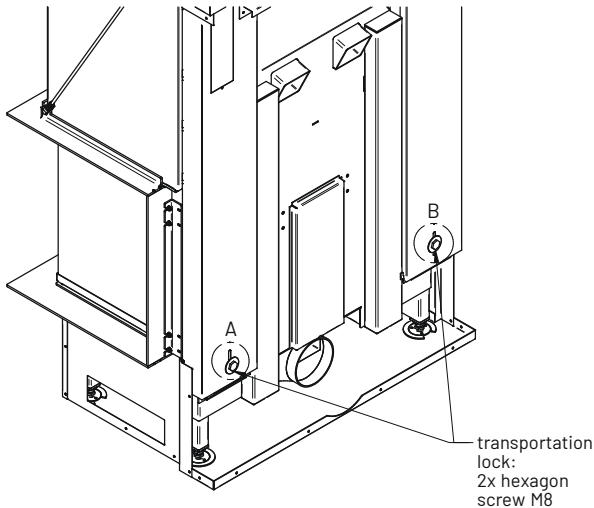
## LUXUS® WOOD SERIES

Models: LUXUS® 32 Corner Left, LUXUS® 40 Corner Left, LUXUS® 32 Corner Right, LUXUS® 40 Corner Right

### Transportation locks

#### Unlock transportation lock

Once the fireplace has been taken off the crate, unlock the counterweights using a socket-wrench size 13mm or 1/2". Remember to perform this operation before inserting the fireplace into the enclosure.

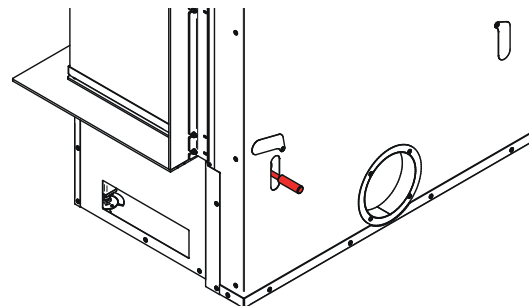
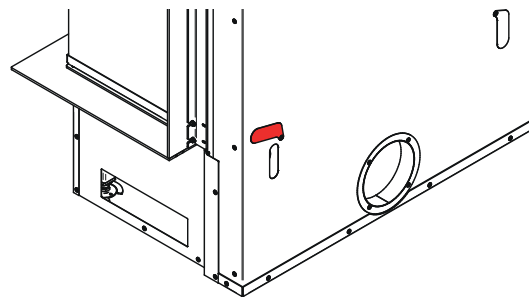
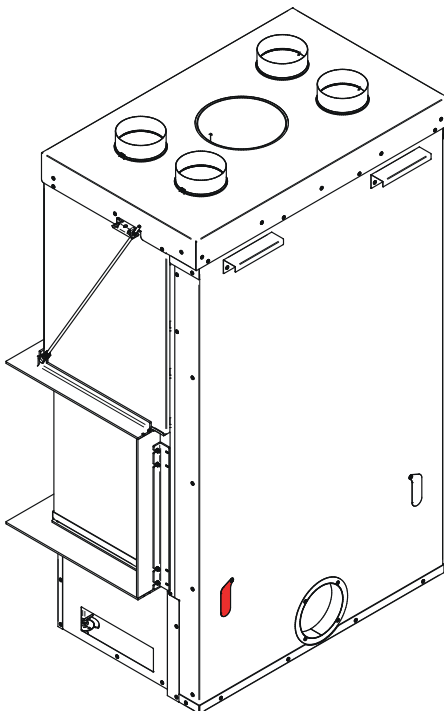


detail A    detail B



Tool:  
socket wrench

To unlock the transportation lock, open the cover. Then loosen the screw with the socket wrench. Turn the socket wrench to the left. Then close the cover. Do this on both sides.





AMBIANCE®

FIREPLACES | BBQ | OUTDOORS | SPAS

LUXUS®  
WOOD SERIES

Models: LUXUS® 32 Corner Left, LUXUS® 40 Corner Left, LUXUS® 32 Corner Right, LUXUS® 40 Corner Right

## Door opening

Use the «operational tool» to open and close the door



Operational tool



Connection point



Position the «operational tool» on the connection point



Move the door up and down

### CAUTION!

The «operation tool» has a spring. If you let go the «operation tool», it jumps back from the connection point.

The «operation tool» is heavy. Do not drop it on the floor or on your foot.