



AMBIANCE®

FIREPLACES | GRILLS

Installation Guide

Professional Technicians and Installers Only

Zero-Clearance Wood-Burning Fireplaces

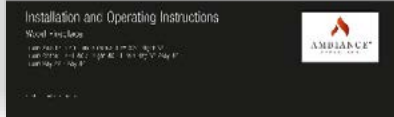
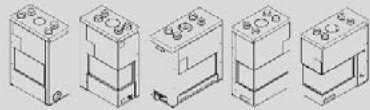
LUXUS 40 HIGH | LUXUS 40 LOW | LUXUS 26 TALL | LUXUS SEE-THRU 40

LUXUS CORNER LEFT 32 | LUXUS CORNER RIGHT 32 | LUXUS CORNER LEFT 40 | LUXUS CORNER RIGHT 40

LUXUS BAY 32 | LUXUS BAY 40 | LUXUS PIER 28 | LUXUS PIER 36

READ THIS NOW

This Ambiance® Installation Guide contains installation instructions, illustrations and recommendations to be used **in conjunction with** the Ambiance® Installation and Operation Instructions printout which is packaged with each fireplace. information



WORKMANSHIP

You must be a qualified professional in order to install a Ambiance® fireplace.

As each installation is different, a qualified and licensed trades professional should take all required preliminary precautions depending on the technical elements inherent to each job.

As a result of faulty assembly, use of parts or additional components not supplied, or certified by the manufacturer/distributor, and/or modifying of the appliance or components will result in inferior or unsafe operation. Should this occur the manufacturer/distributor bears no liability, and will result in a null and void product warranty.

REVISIONS TO THIS PUBLICATION

The contents of this Installation Guide are the property of Ambiance®.

No part of this publication can be translated into another language and/or altered and/or reproduced, even partially, in another form, by mechanical or electronic means, photocopied, recorded or similar, without prior written approval from Ambiance®.

Ambiance® reserves the right to make changes to this publication at any time without prior notice and reserves its rights according to the law.

THE SAFETY LABEL

Ambiance® fireplaces are constantly being improved. Read and cross reference the instructions outlined on the safety label affixed to the unit you are installing and if there is any difference of information between this Installation Guide and the safety label, then follow the information on the safety label affixed to the fireplace.



REGULATIONS AND CODES

Be aware that local codes and national regulations may override some items in this Installation Supplement. The installer should strictly adhere to local codes and national regulations. The liability of the manufacturer can neither be retained nor assured following failure of installation or incorrect use which is not compliant with local and national codes and regulations.

Codes and regulations may be imposed by one or all of the following agencies:
the local building authorities
the local fire department
the property insurance company

SAFETY INSTRUCTIONS

Indicates specific safety related instructions or procedures, or suggestions.

NOTICE

Addresses practices not related to physical injury, and is still considered important such as best practices of design and installation, material and component selections.



CAUTION

INDICATES A HAZARDOUS SITUATION WHICH, IF NOT AVOIDED, COULD RESULT IN MINOR OR MODERATE OR INJURY TO INDIVIDUALS AND PROPERTY



WARNING

INDICATES A HAZARDOUS SITUATION THAT, IF NOT AVOIDED, COULD RESULT IN MAJOR INJURY INCLUDING DEATH OR SERIOUS INJURY



DANGER

INDICATES A HAZARDOUS SITUATION THAT, IF NOT AVOIDED, WILL RESULT IN DEATH OR SERIOUS INJURY

1.0 MODEL INFORMATION 5

1.1 Fireplace Styles & Models 5

1.2 Luxus 40 High 6

1.3 Luxus 40 Low 7

1.4 Luxus 26 Tall 8

1.5 Luxus See-Thru 40 9

1.6 Luxus Corner Left 32 10

1.7 Luxus Corner Right 32 11

1.8 Luxus Corner Left 40 12

1.9 Luxus Corner Right 40 13

1.10 Luxus Bay 32 14

1.11 Luxus Bay 40 15

1.12 Luxus Pier 28 16

1.13 Luxus Pier 36 17

2.0 INSTALLATION RELATED 18

2.1 Transporting the Fireplace 18

2.2 Moving the Fireplace 19

2.3 Combustible Floor Protection 20

2.4 Surround Construction 21

2.5 Minimum Clearance Above Fireplace 22

2.6 Air Clearance Spacers 24

2.7 Clearance to Combustible Materials 25

2.8 Single-Sided Style Hearth Extension 27

2.9 See-Through Style Hearth Extension 28

2.10 Corner Style Hearth Extension 29

2.11 Bay Style Hearth Extension 30

2.12 Peninsula Style Hearth Extension 31

3.0 UNLOCKING THE DOOR GLIDE 32

3.1 Door Lock Bolts Removal 32

3.2 Door Function Inspection 33

4.0 AIR SYSTEMS 34

4.1 Inlet and Outlet Identification 34

4.2 Combustion & Convection Installation 35

5.0 COMBUSTION AIR 36

5.1 Combustion Air Assembly 36

5.2 Combustion Air Components 37

5.3 Fresh Air Termination 38

5.4 Combustion & Connection Installation 39

5.5 Combustion Air Connector 40

5.6 Under Mount Connector Installation 41

5.7 Manually Operated Damper 42

5.8 Push/Pull Damper Installation 43

6.0 CONVECTION AIR 44

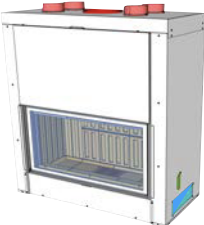
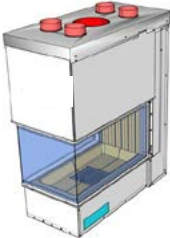
6.1 Convection Air Components 44

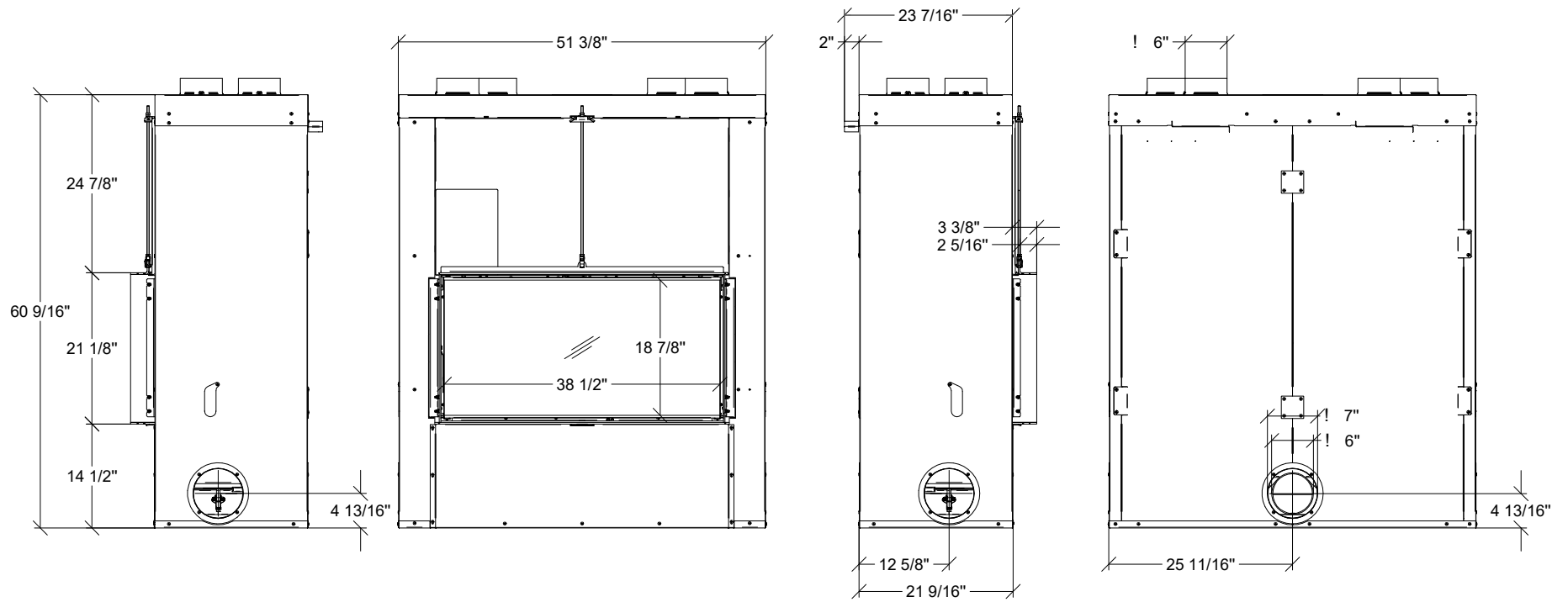
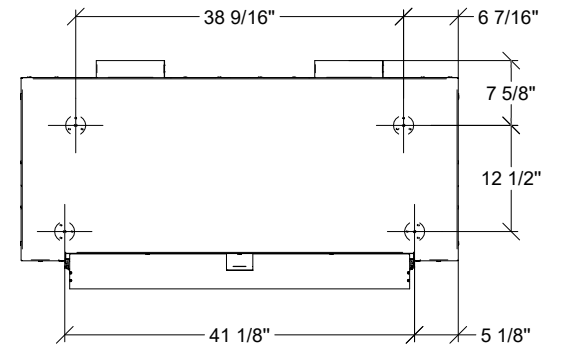
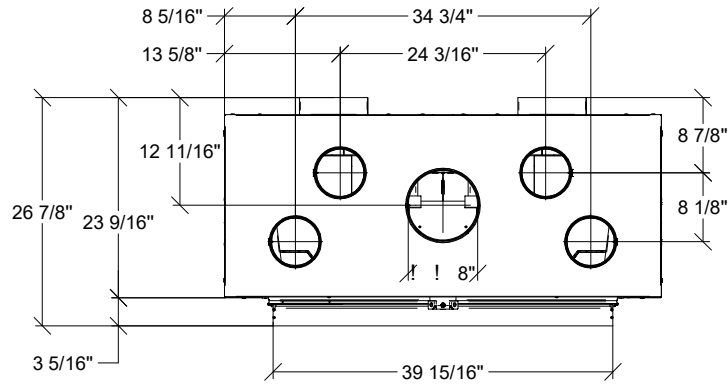
6.2 Convection Air Vent Sizing 45

COLOR KEY

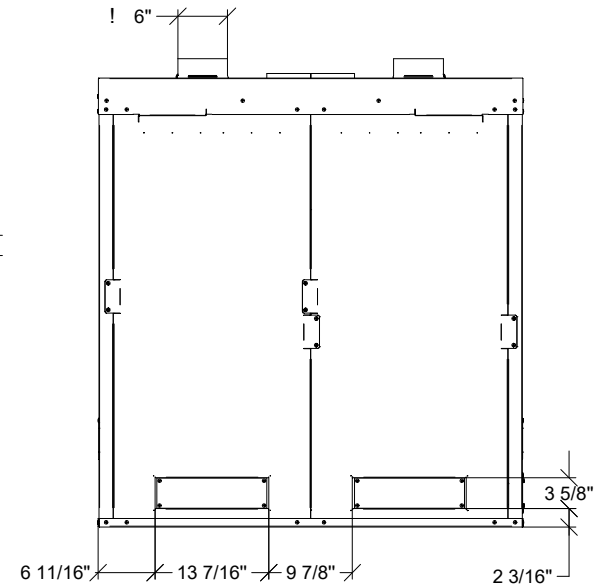
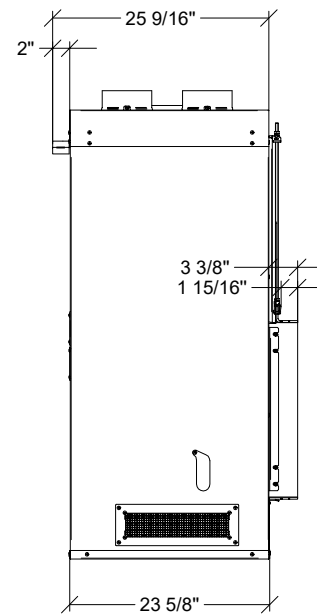
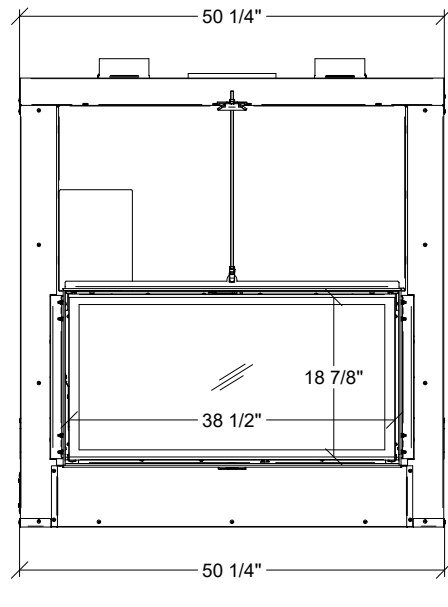
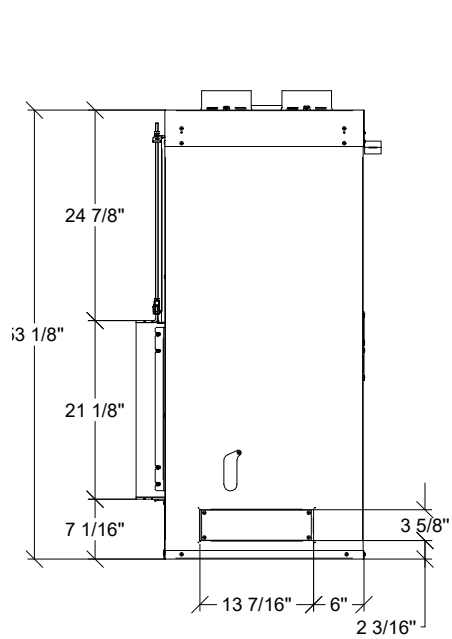
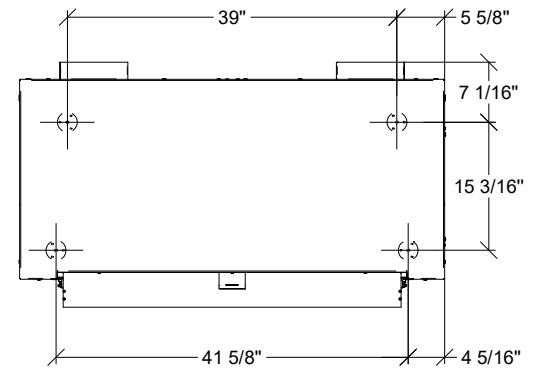
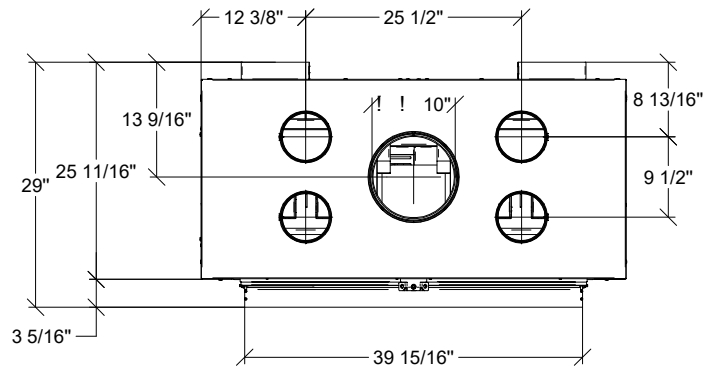
	air spacer
	convection air intake
	convection air exhaust
	chimney flue exhaust
	combustion air intake
	door lock bolt cover

Zero-Clearance Wood-Burning Fireplaces

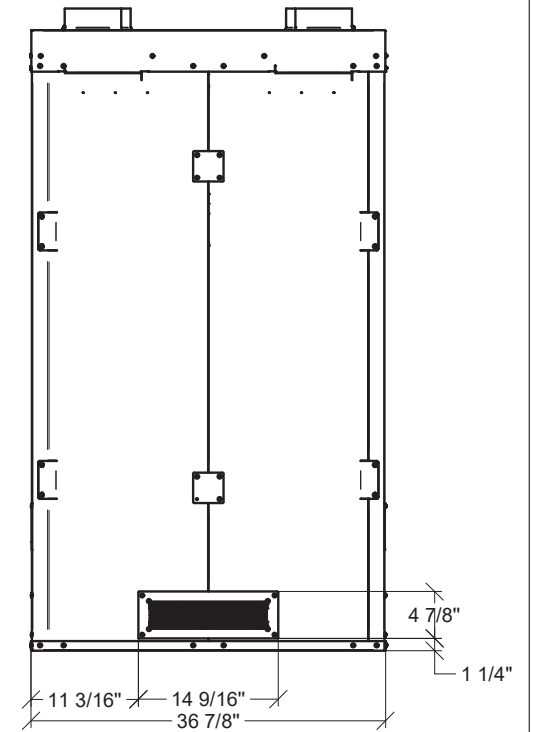
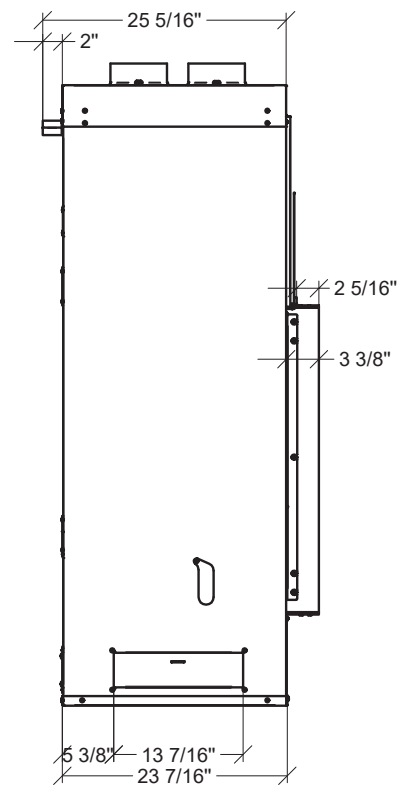
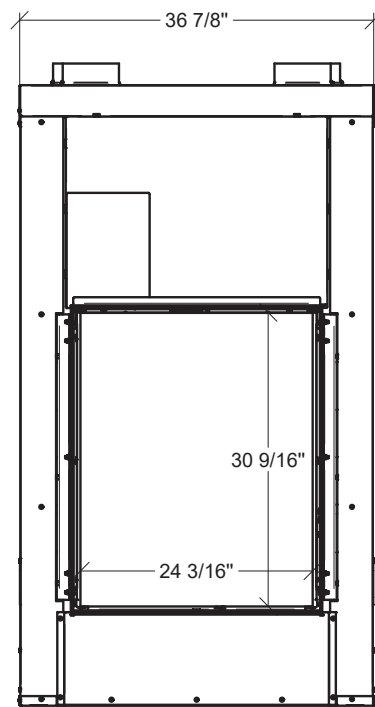
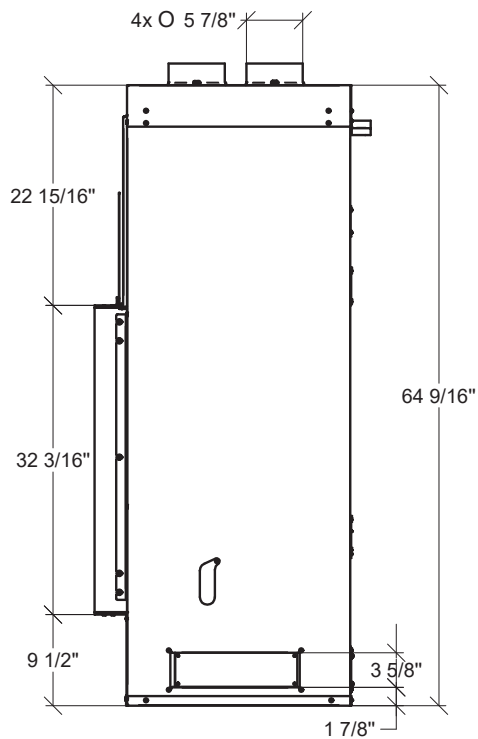
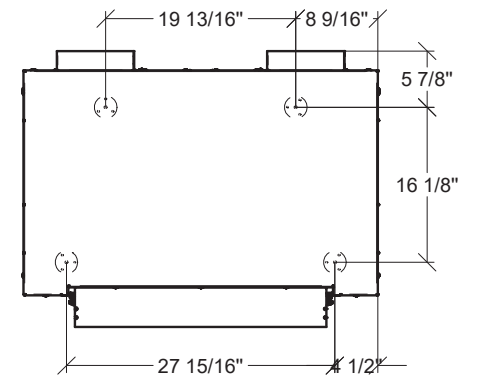
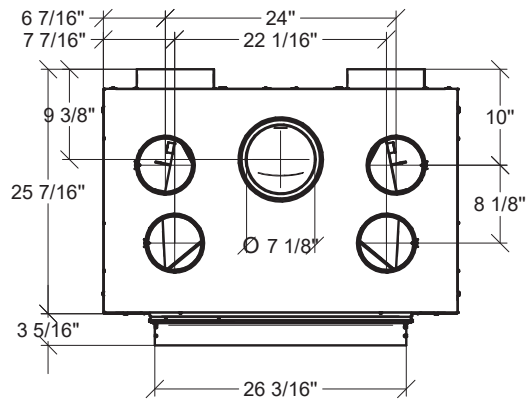
STRAIGHT	SEE-THROUGH	CORNER	BAY	PENINSULA
 <p>Luxus 40 High</p>	 <p>Luxus See - Thru 40</p>	 <p>Luxus Corner Right 32</p>	 <p>Luxus Bay 32</p>	 <p>Luxus Pier 28</p>
 <p>Luxus 40 Low</p>		 <p>Luxus Corner Left 32</p>	 <p>Luxus Bay 40</p>	 <p>Luxus Pier 36</p>
 <p>Luxus 26 Tall</p>		 <p>Luxus Corner Left 40</p>		
		 <p>Luxus Corner Right 32</p>		



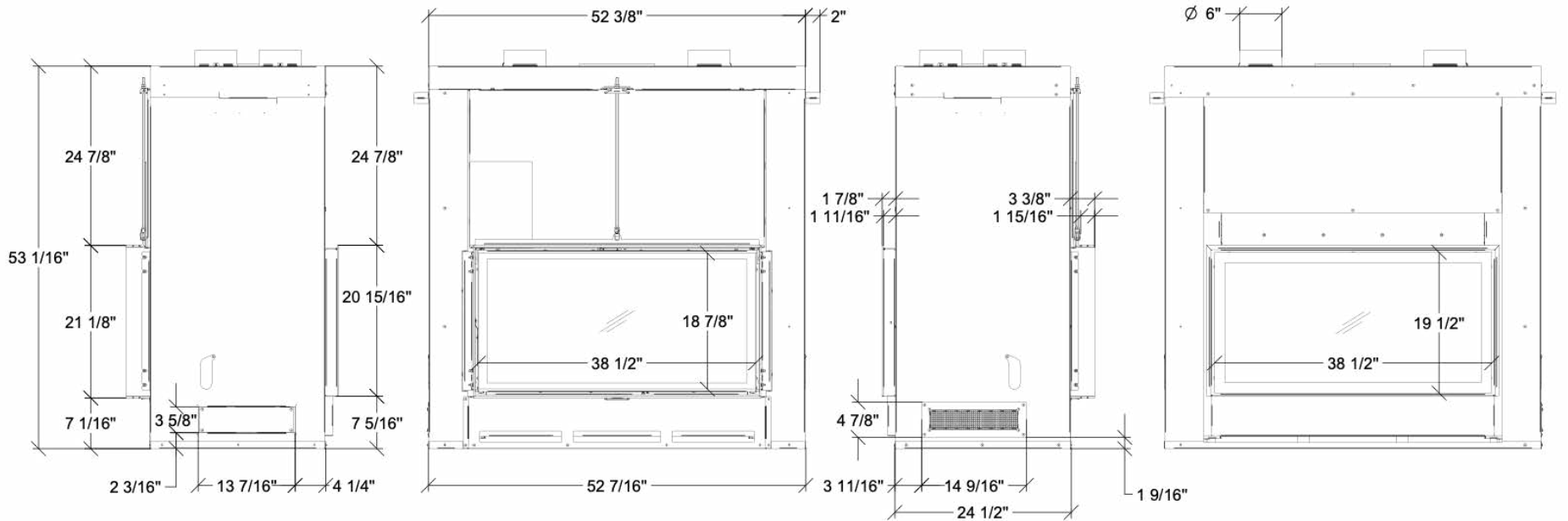
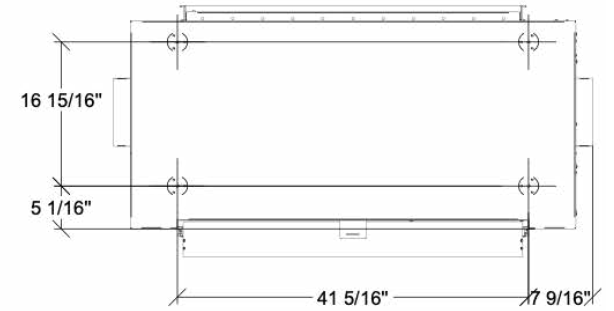
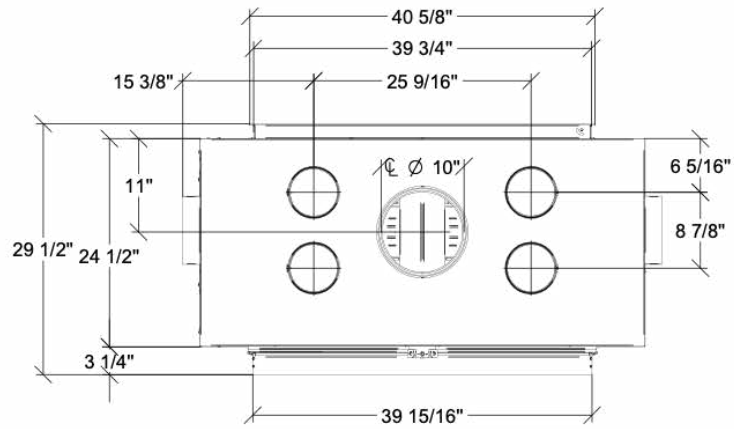
All representations and drawings are protected by applicable copyright laws. No part of these drawing may be reproduced, even in part in other mechanical and/or electronic form or media without the prior written authorization from Spartherm®. Spartherm® reserves the right to make changes to the product at any time without prior notice. Measurements are in inches with a tolerance of $\pm 1/16"$. Drawing creation date: 4/01/2022. Not to scale.



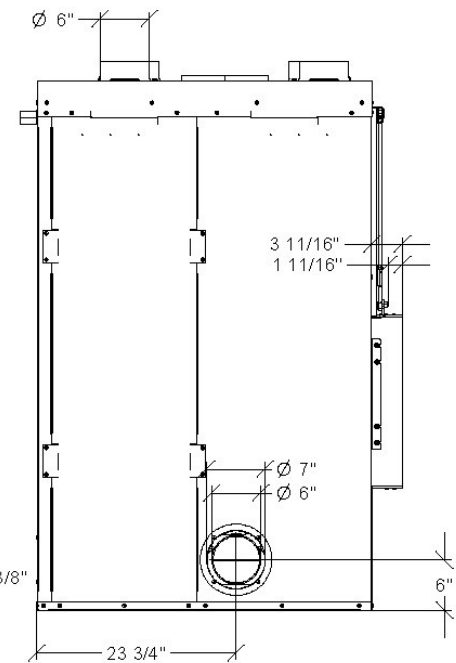
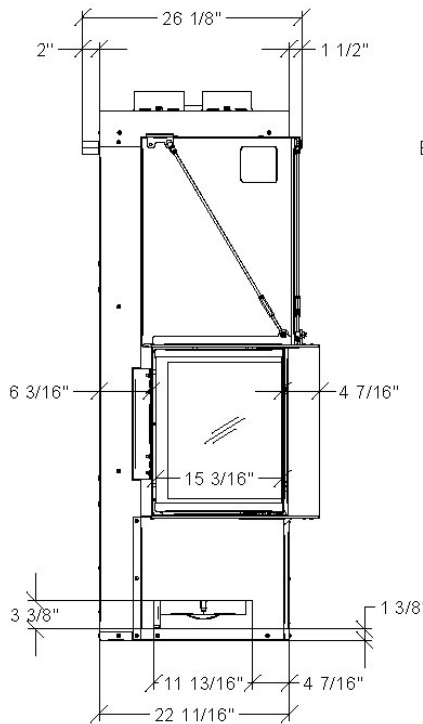
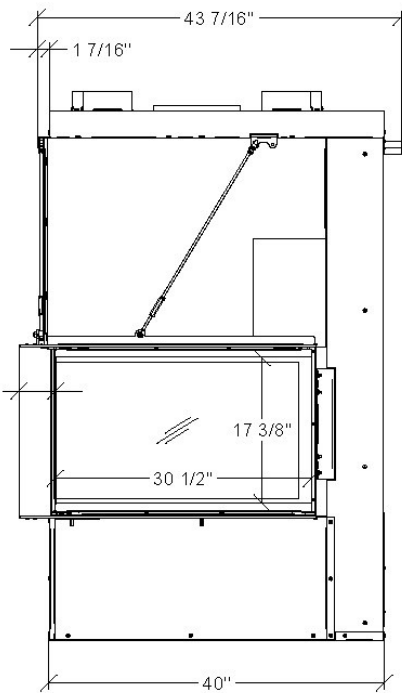
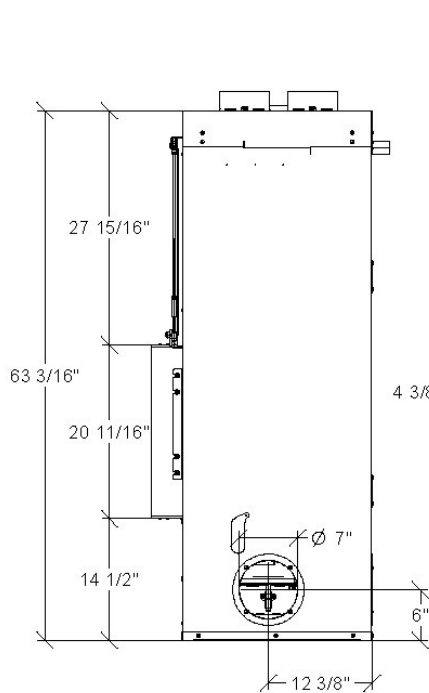
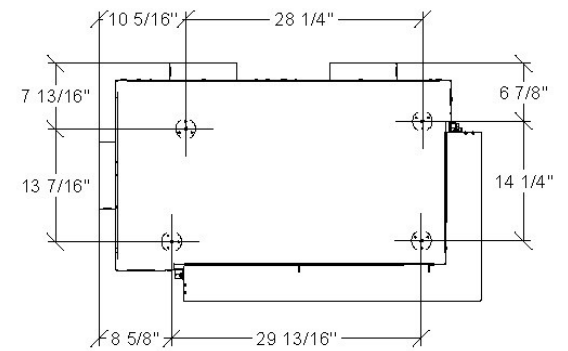
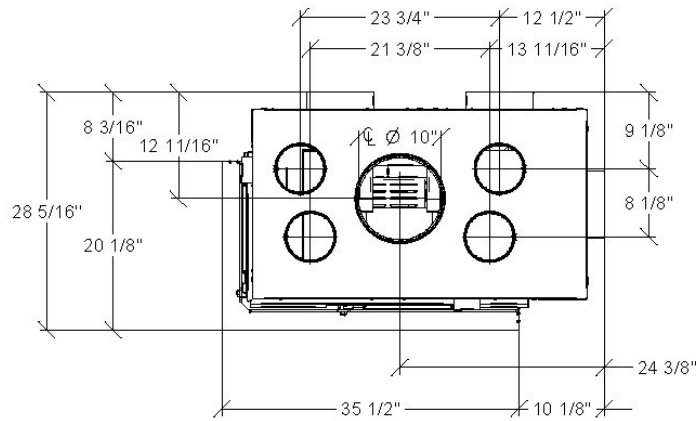
All representations and drawings are protected by applicable copyright laws. No part of these drawing may be reproduced, even in part in other mechanical and/or electronic form or media without the prior written authorization from Spartherm®. Spartherm® reserves the right to make changes to the product at any time without prior notice. Measurements are in inches with a tolerance of ± 1/16". Drawing creation date: 4/01/2022. Not to scale.



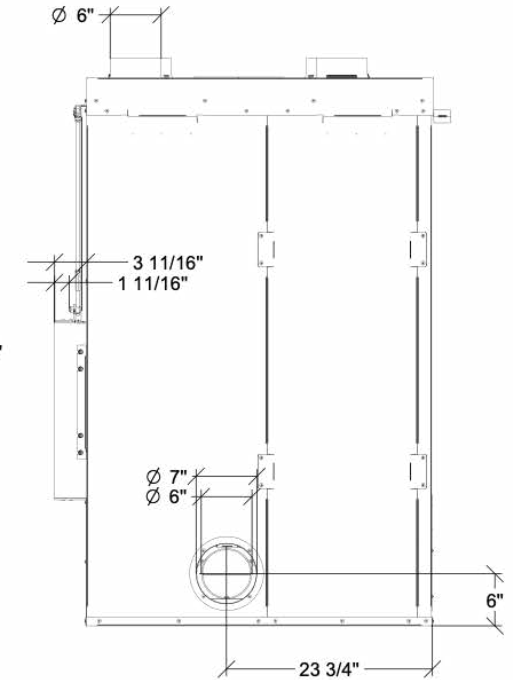
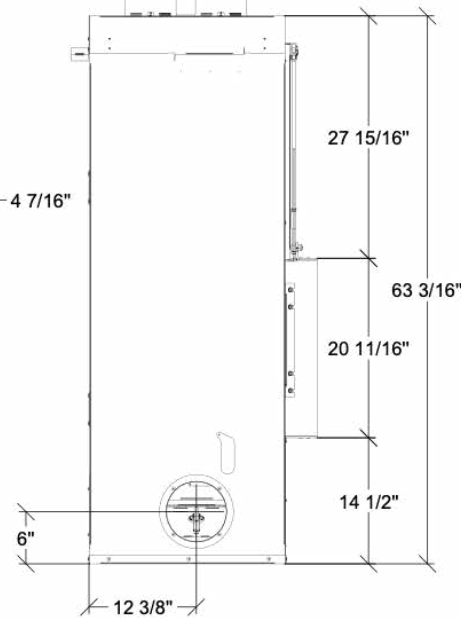
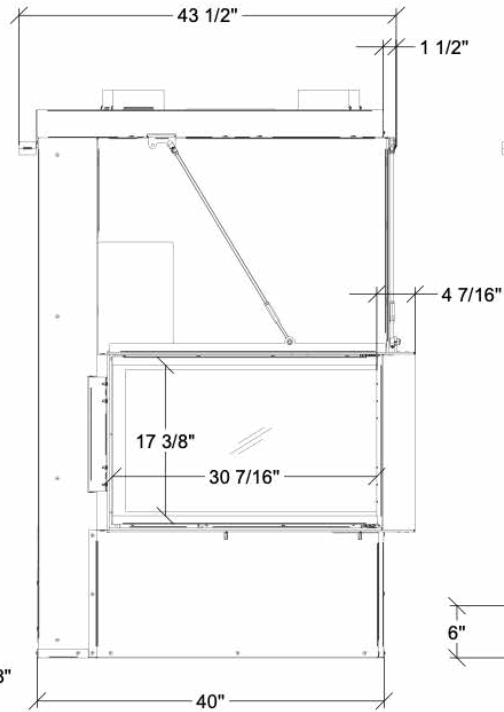
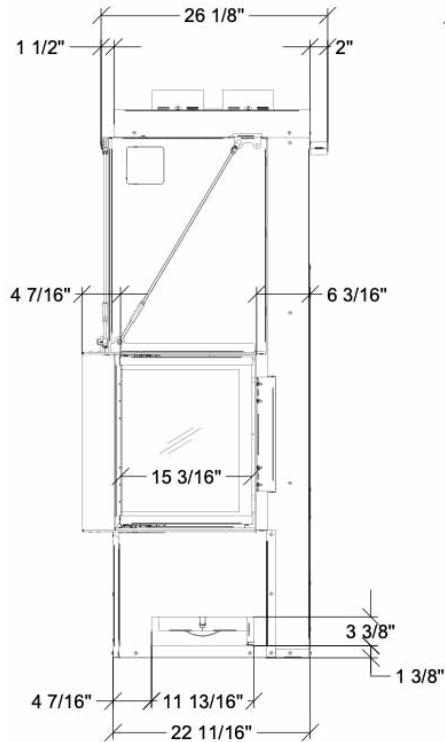
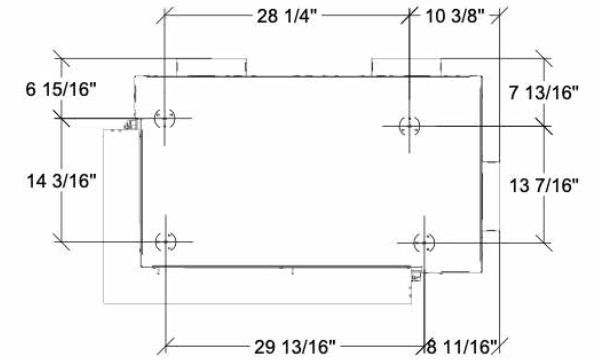
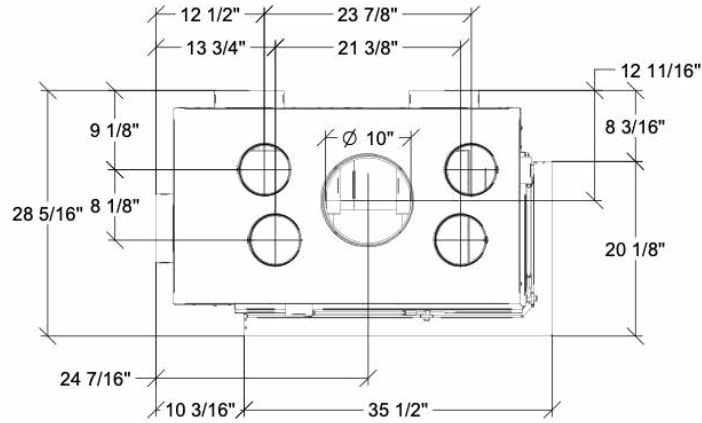
All representations and drawings are protected by applicable copyright laws. No part of these drawing may be reproduced, even in part in other mechanical and/or electronic form or media without the prior written authorization from Ambiance®. Ambiance® reserves the right to make changes to the product at any time without prior notice. Measurements are in inches with a tolerance of $\pm 1/16''$. Drawing creation date: 4/01/2022. Not to scale.



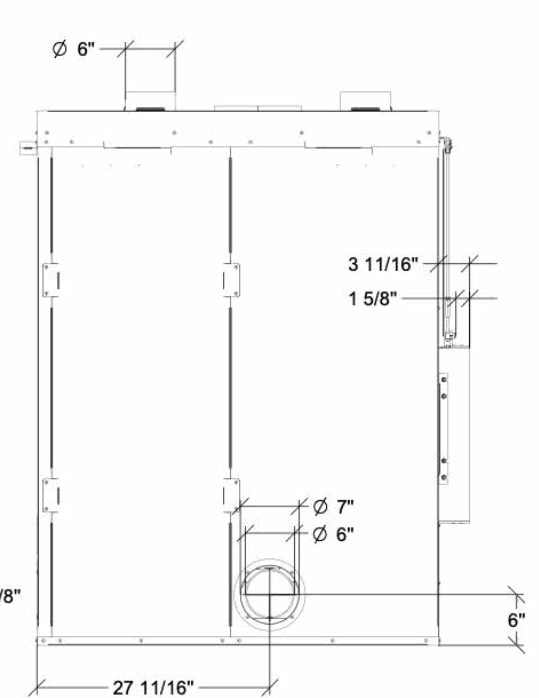
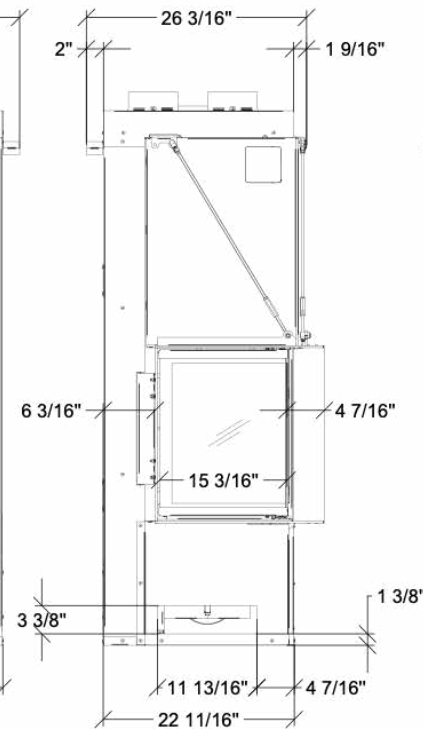
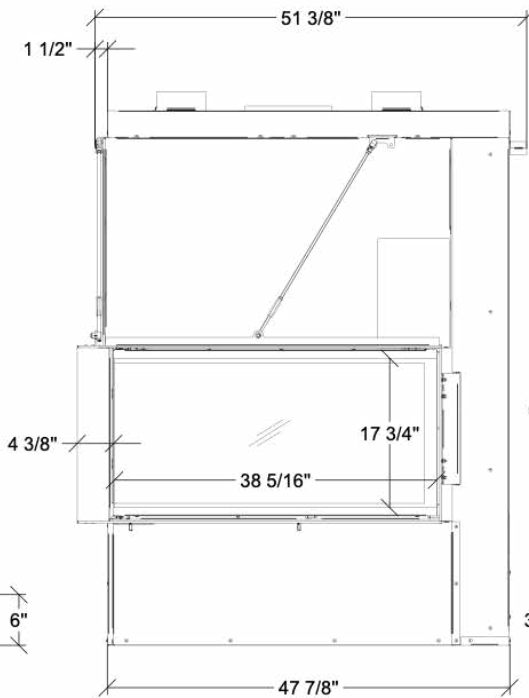
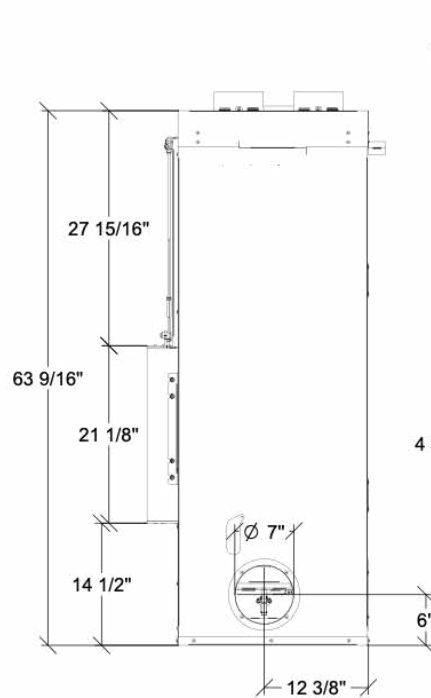
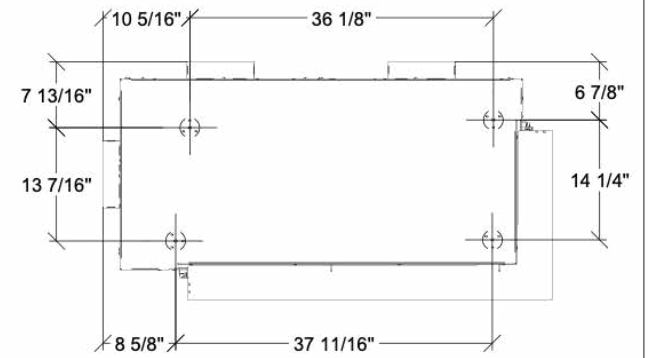
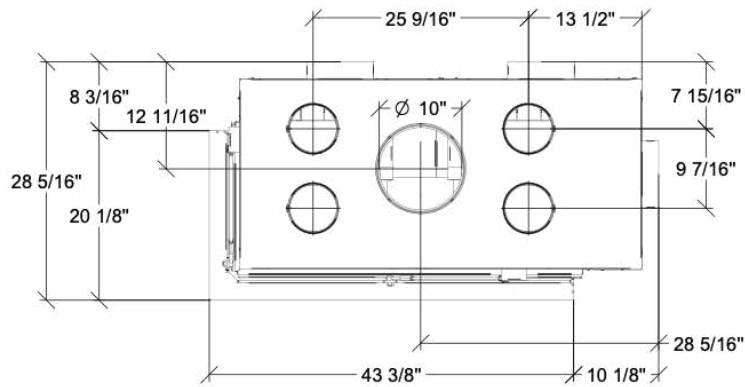
All representations and drawings are protected by applicable copyright laws. No part of these drawing may be reproduced, even in part in other mechanical and/or electronic form or media without the prior written authorization from Ambiance®. Ambiance® reserves the right to make changes to the product at any time without prior notice. Measurements are in inches with a tolerance of $\pm 1/16"$. Drawing creation date: 4/01/2022. Not to scale.



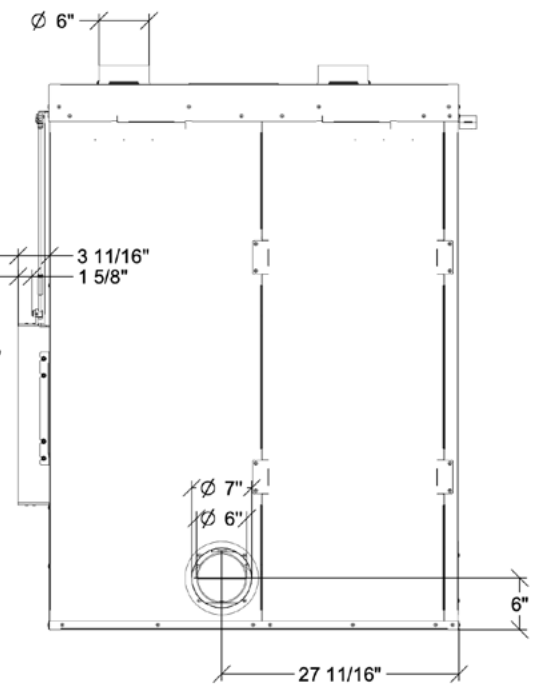
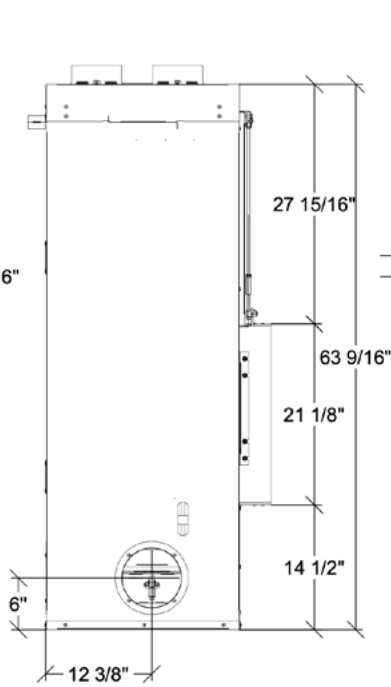
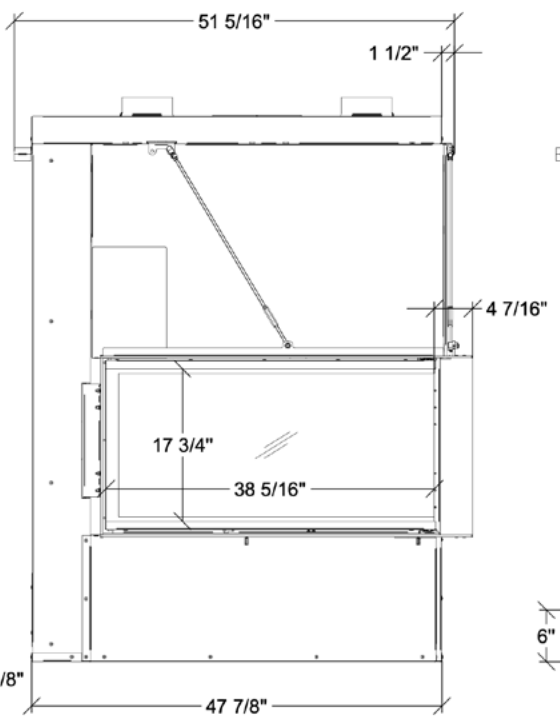
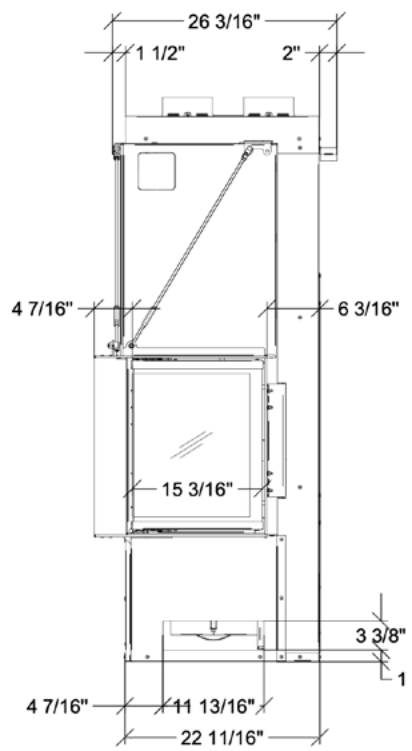
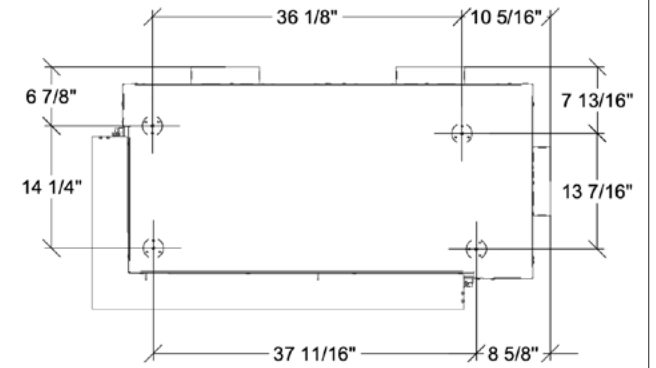
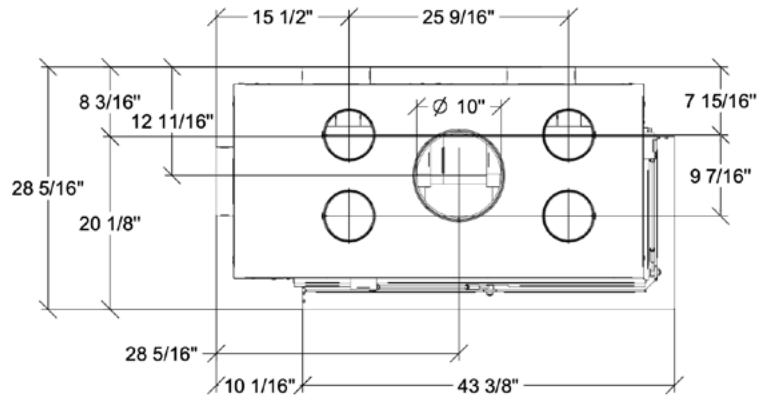
All representations and drawings are protected by applicable copyright laws. No part of these drawing may be reproduced, even in part in other mechanical and/or electronic form or media without the prior written authorization from Ambiance®. Ambiance® reserves the right to make changes to the product at any time without prior notice. Measurements are in inches with a tolerance of ± 1/16". Drawing creation date: 4/01/2022. Not to scale.



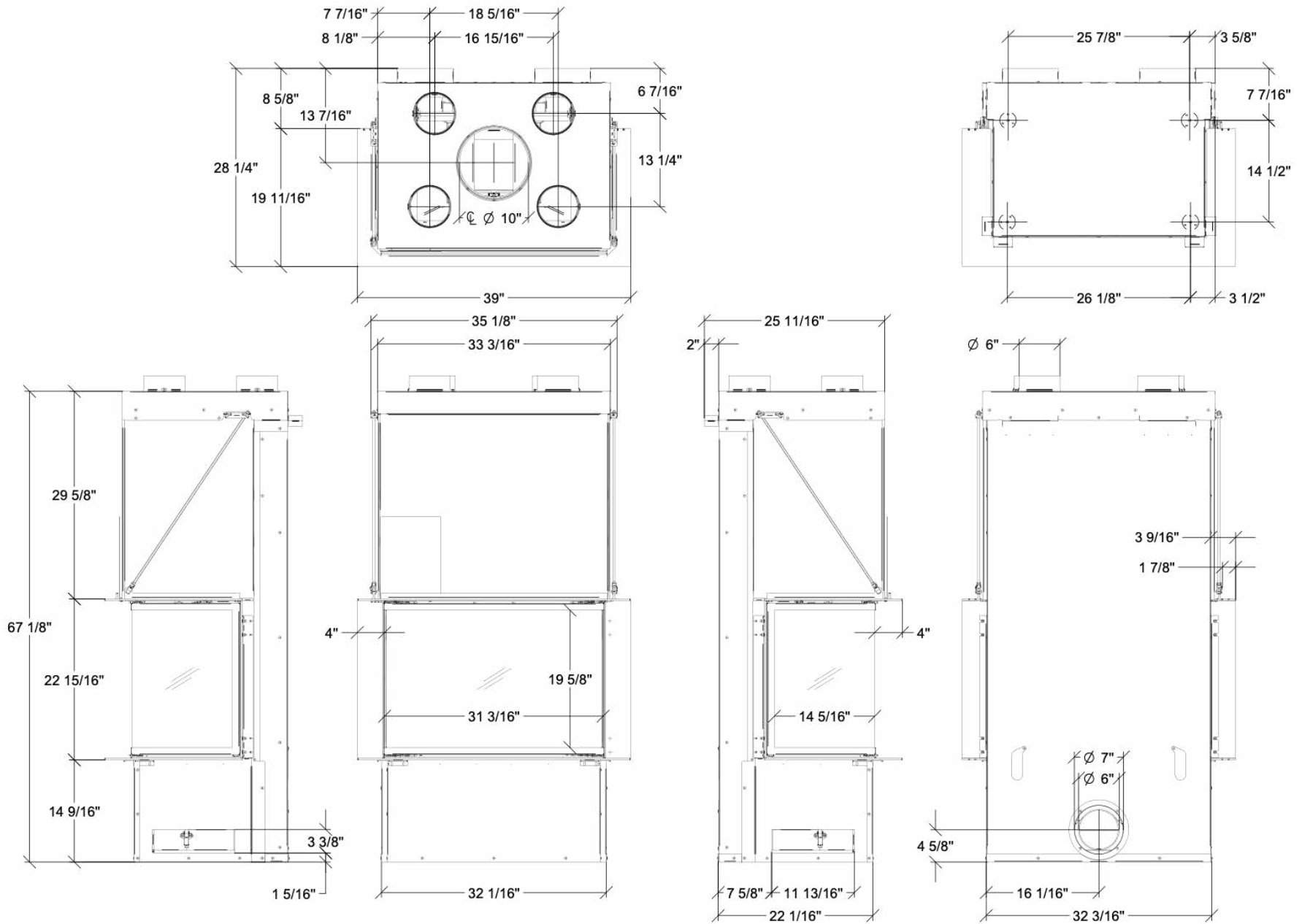
All representations and drawings are protected by applicable copyright laws. No part of these drawing may be reproduced, even in part in other mechanical and/or electronic form or media without the prior written authorization from Ambiance®. Ambiance® reserves the right to make changes to the product at any time without prior notice. Measurements are in inches with a tolerance of ± 1/16". Drawing creation date: 4/01/2022. Not to scale.



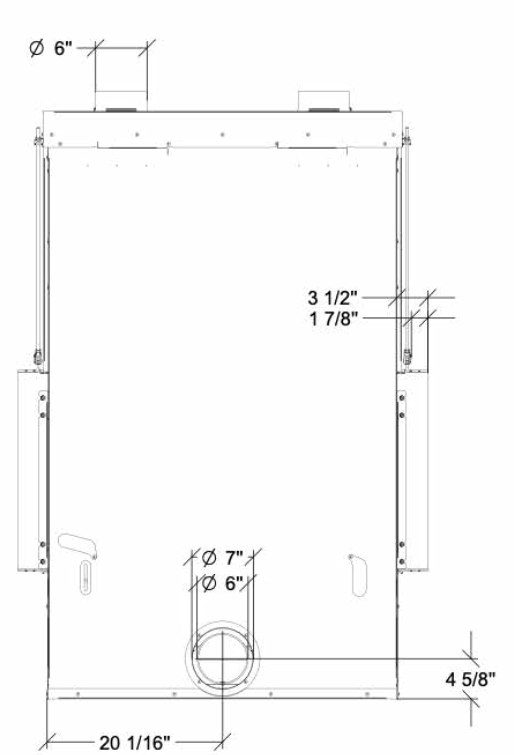
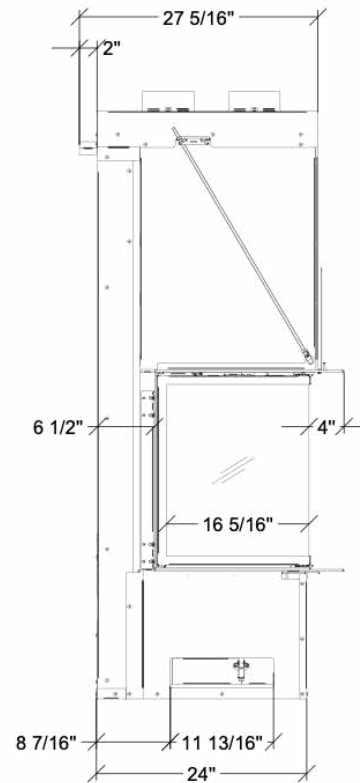
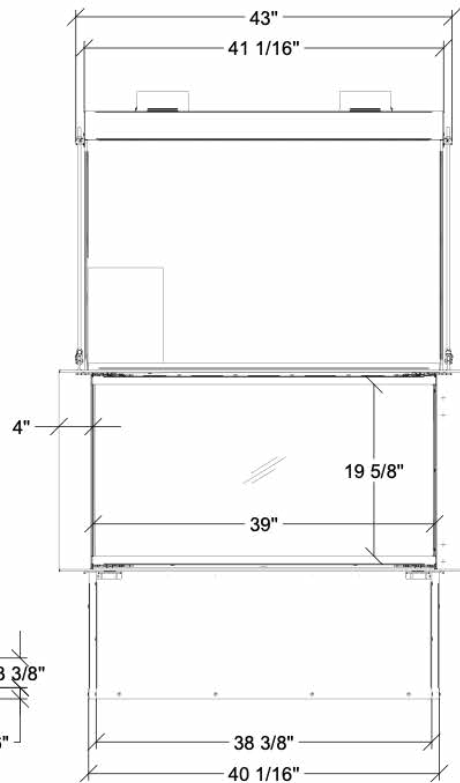
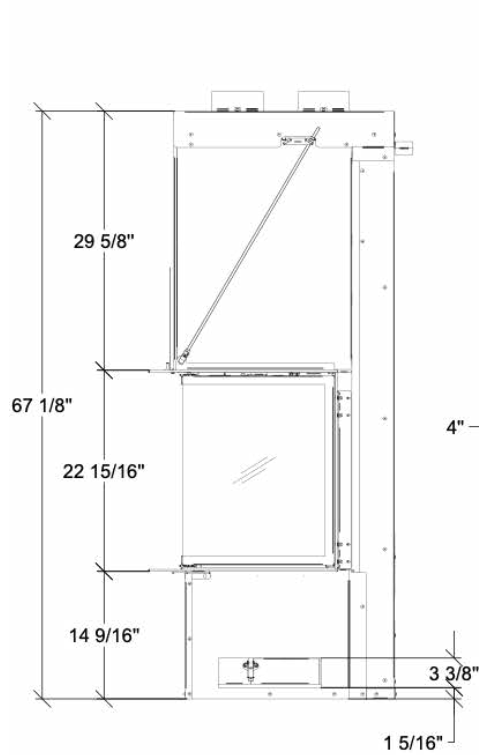
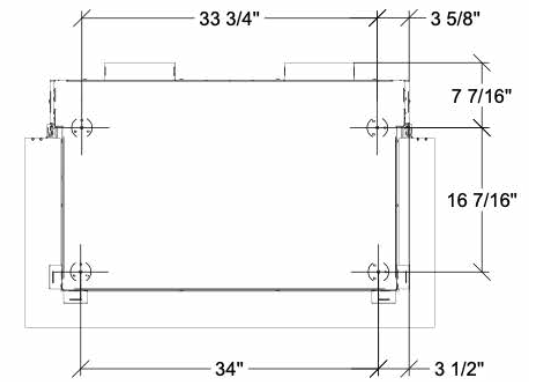
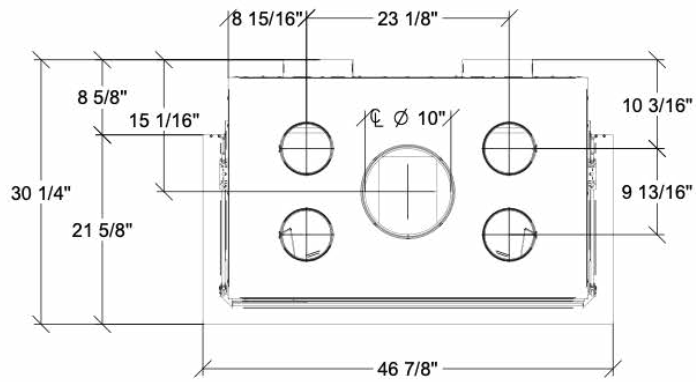
All representations and drawings are protected by applicable copyright laws. No part of these drawing may be reproduced, even in part in other mechanical and/or electronic form or media without the prior written authorization from Ambiance®. Ambiance® reserves the right to make changes to the product at any time without prior notice. Measurements are in inches with a tolerance of ± 1/16". Drawing creation date: 4/01/2022. Not to scale.



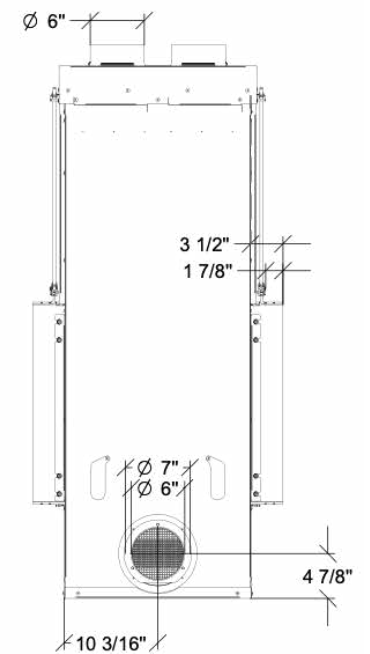
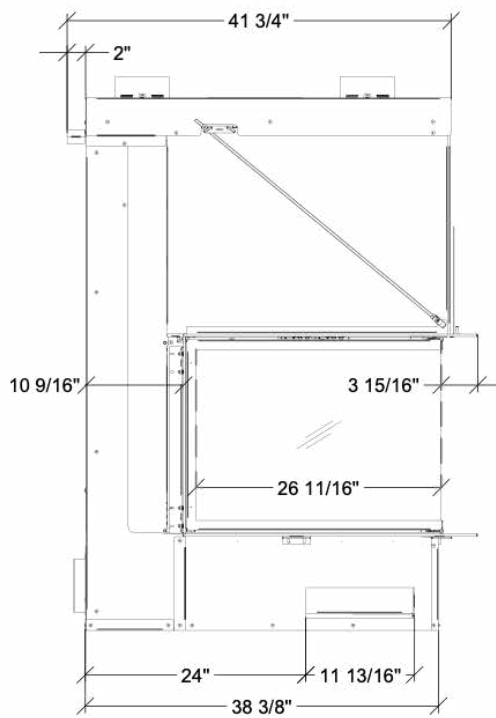
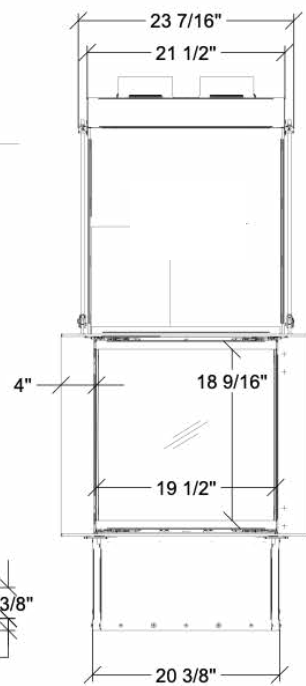
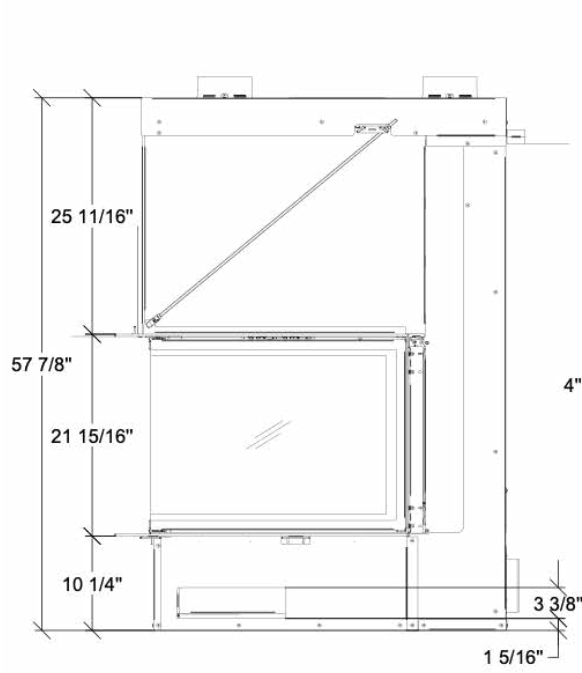
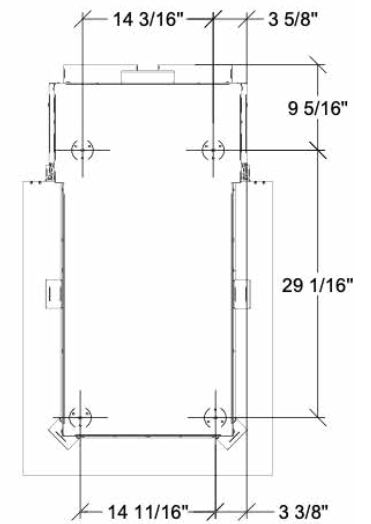
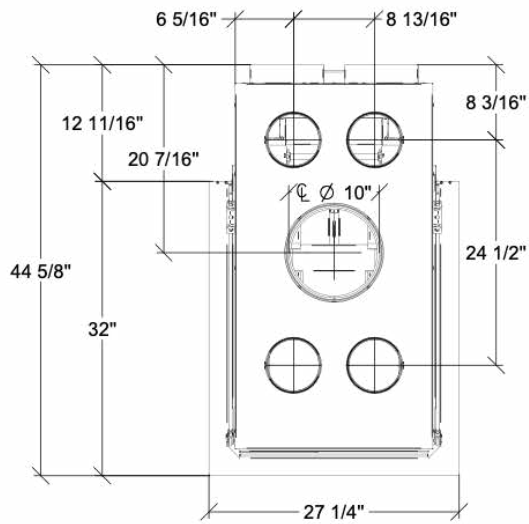
All representations and drawings are protected by applicable copyright laws. No part of these drawing may be reproduced, even in part in other mechanical and/or electronic form or media without the prior written authorization from Ambiance®. Ambiance® reserves the right to make changes to the product at any time without prior notice. Measurements are in inches with a tolerance of ± 1/16". Drawing creation date: 4/01/2022. Not to scale.



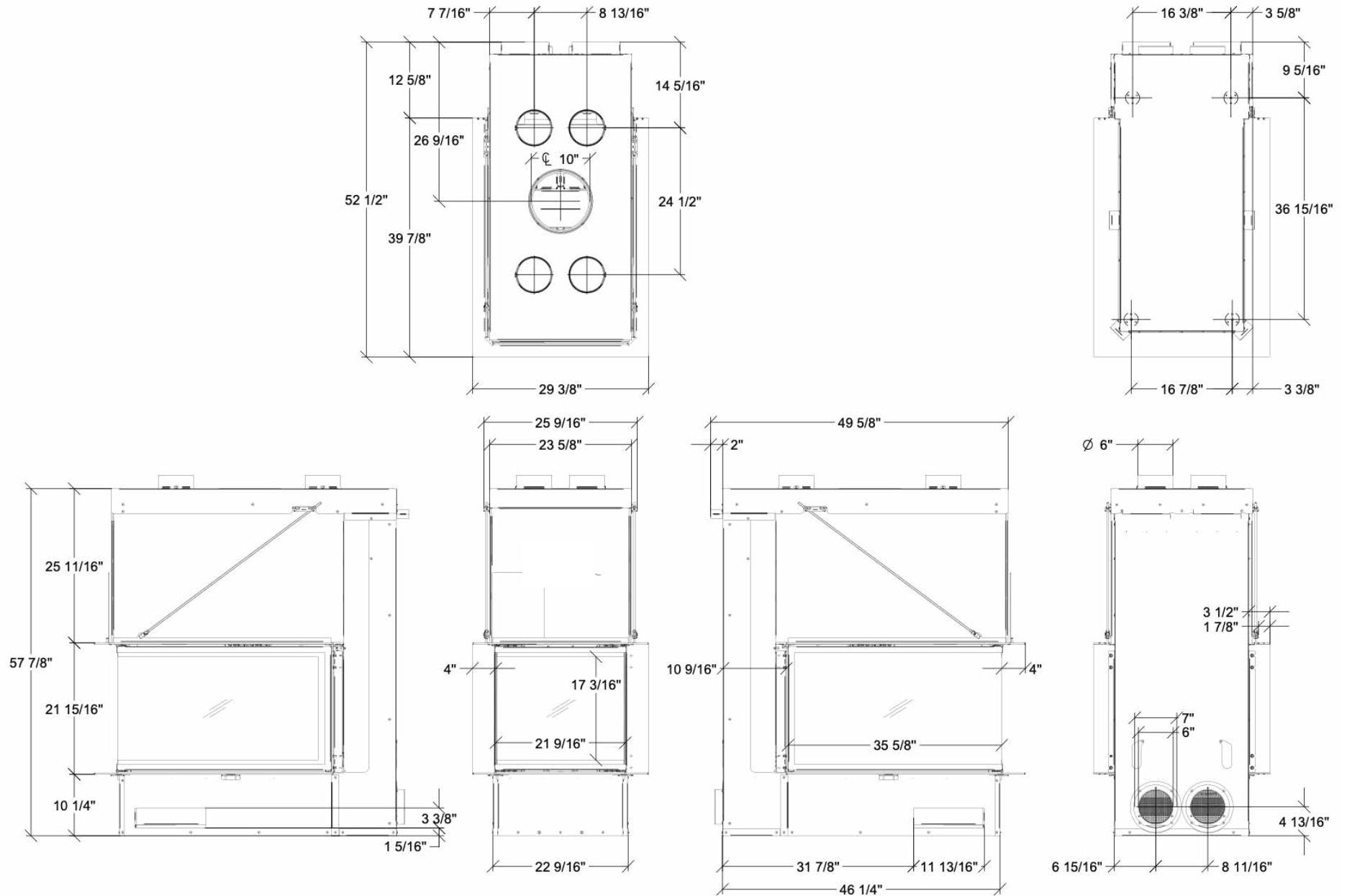
All representations and drawings are protected by applicable copyright laws. No part of these drawing may be reproduced, even in part in other mechanical and/or electronic form or media without the prior written authorization from Ambiance®. Ambiance® reserves the right to make changes to the product at any time without prior notice. Measurements are in inches with a tolerance of $\pm 1/16"$. Drawing creation date: 4/01/2022. Not to scale.



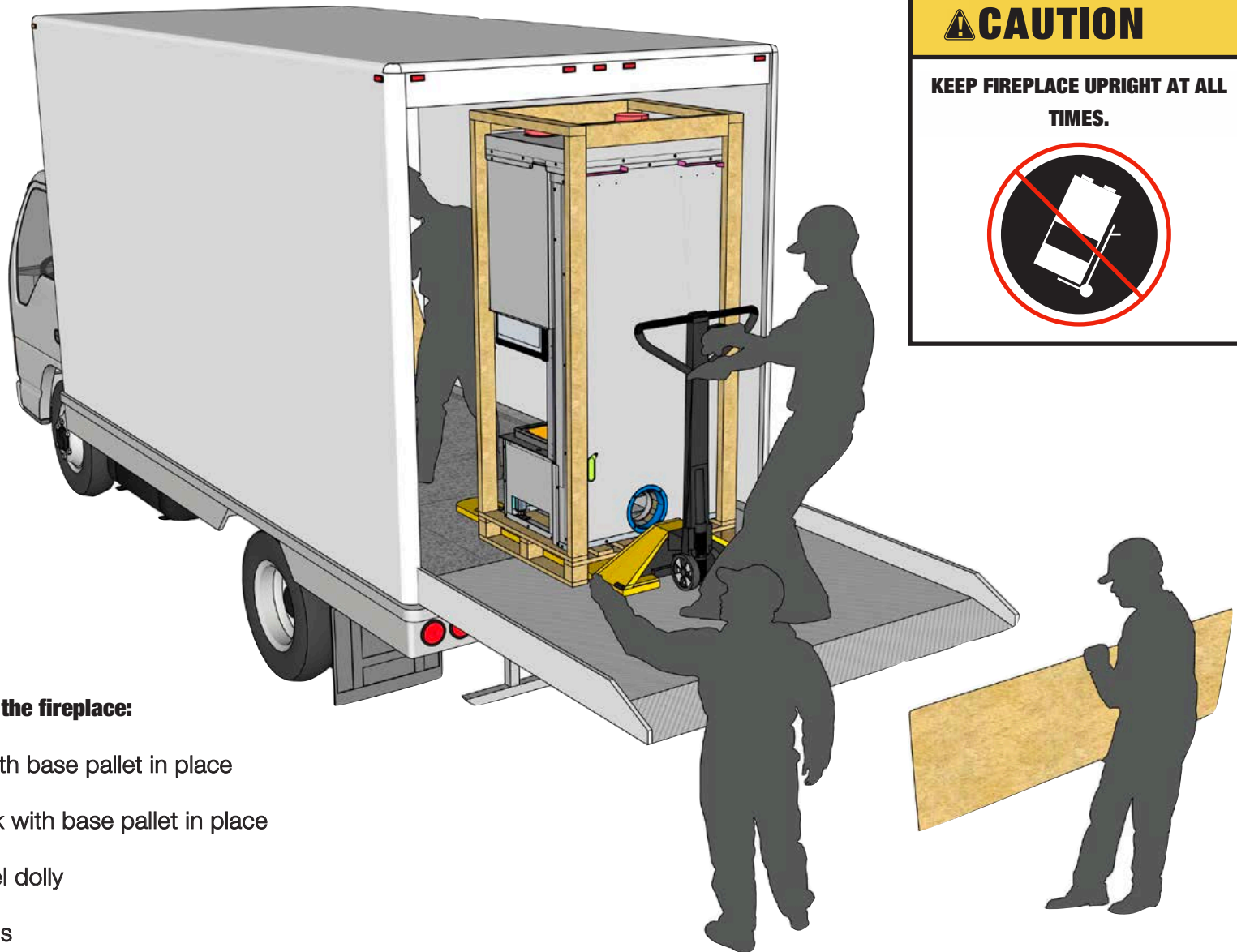
All representations and drawings are protected by applicable copyright laws. No part of these drawing may be reproduced, even in part in other mechanical and/or electronic form or media without the prior written authorization from Ambiance®. Ambiance® reserves the right to make changes to the product at any time without prior notice. Measurements are in inches with a tolerance of ± 1/16". Drawing creation date: 4/01/2022. Not to scale.



All representations and drawings are protected by applicable copyright laws. No part of these drawing may be reproduced, even in part in other mechanical and/or electronic form or media without the prior written authorization from Ambiance®. Ambiance® reserves the right to make changes to the product at any time without prior notice. Measurements are in inches with a tolerance of $\pm 1/16''$. Drawing creation date: 4/01/2022. Not to scale.



All representations and drawings are protected by applicable copyright laws. No part of these drawing may be reproduced, even in part in other mechanical and/or electronic form or media without the prior written authorization from Ambience®. Ambience® reserves the right to make changes to the product at any time without prior notice. Measurements are in inches with a tolerance of $\pm 1/16"$. Drawing creation date: 4/01/2022. Not to scale.



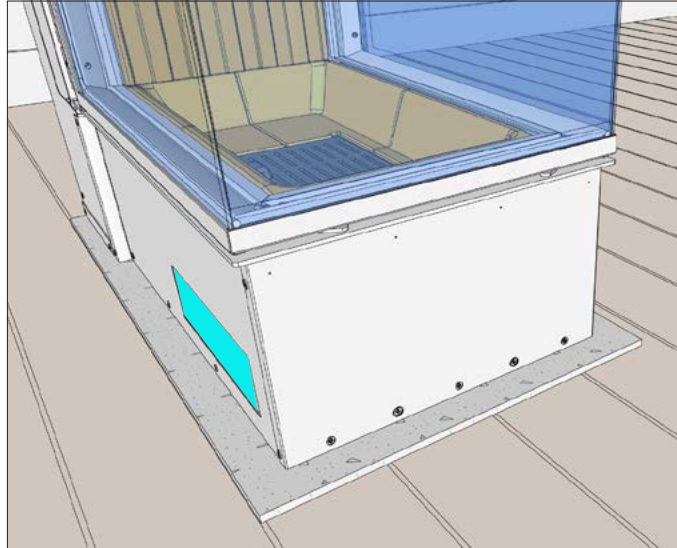
Methods of transporting the fireplace:

1. industrial fork lift with base pallet in place
2. industrial pallet jack with base pallet in place
3. industrial four wheel dolly
4. manually with straps
5. manually with optional threaded handle bar kit for single sided units only

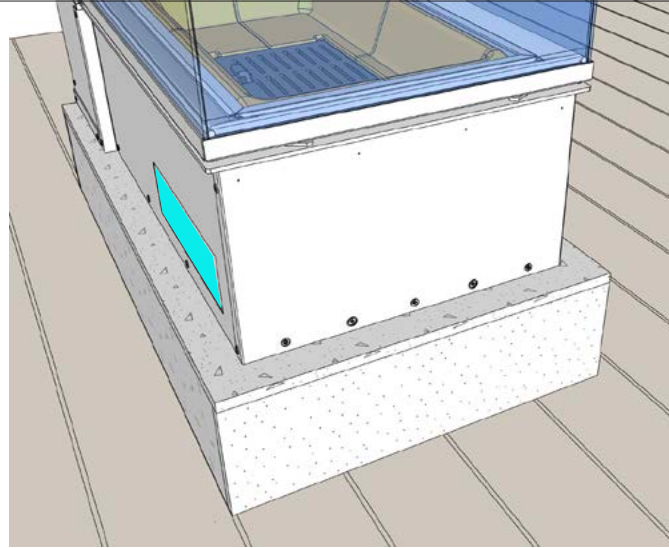
There may be instances when the upper sections of the shipping crate must be removed in order to facilitate moving the unit with height restricted vehicles; through building doorways; making turns in closed quarters; navigating stairways; fitting into elevators, etc.



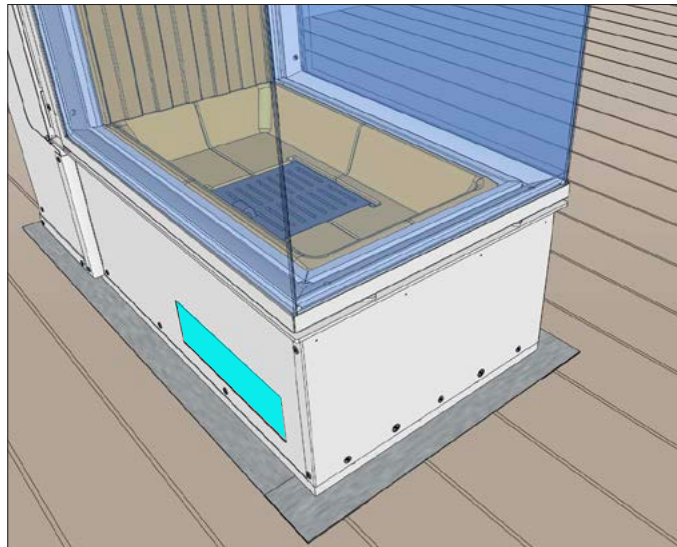
Example: Luxus Bay 40. Note: The top section of the shipping crate was removed in order for the unit to fit into the truck.



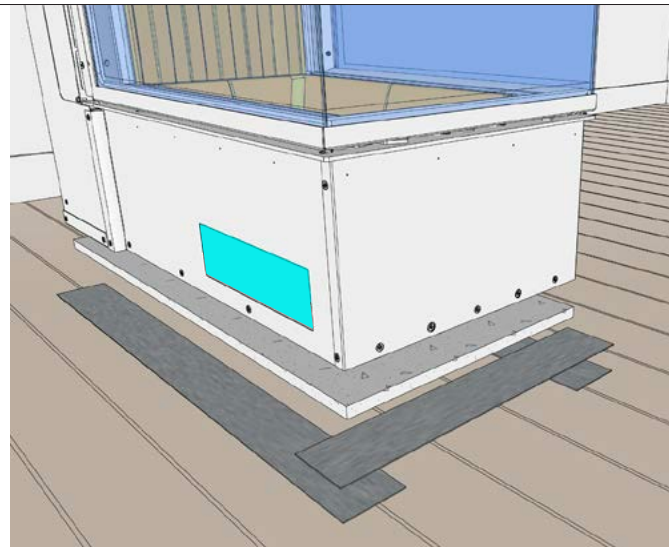
Example: Luxus Pier 28
1/2" cement board on floor



Example: Luxus Pier 28
1/2" cement board platform cladding



Example: Luxus Pier 28 On Floor
1/2" cement board and metal ember strip



NOTICE

The instructions in this section apply only when fireplace is installed over a combustible floor surface.



DANGER

RISK OF FIRE. COMBUSTIBLE SURFACES MUST BE PROTECTED EXACTLY AS SPECIFIED



DANGER

BURNING MATERIALS FALLING FROM THE FIREPLACE OPENING MAY IGNITE CONCEALED COMBUSTIBLE SURFACES



WARNING

A NON-COMBUSTIBLE FLOOR SUBSTRATE IS HIGHLY RECOMMENDED UNDER THE FULL WIDTH AND DEPTH OF THE FIREPLACE.

NOTICE

Only non-combustible framing members shall be used to construct the internal framework.

Only non-combustible cladding materials shall be used on the exterior of the surround.

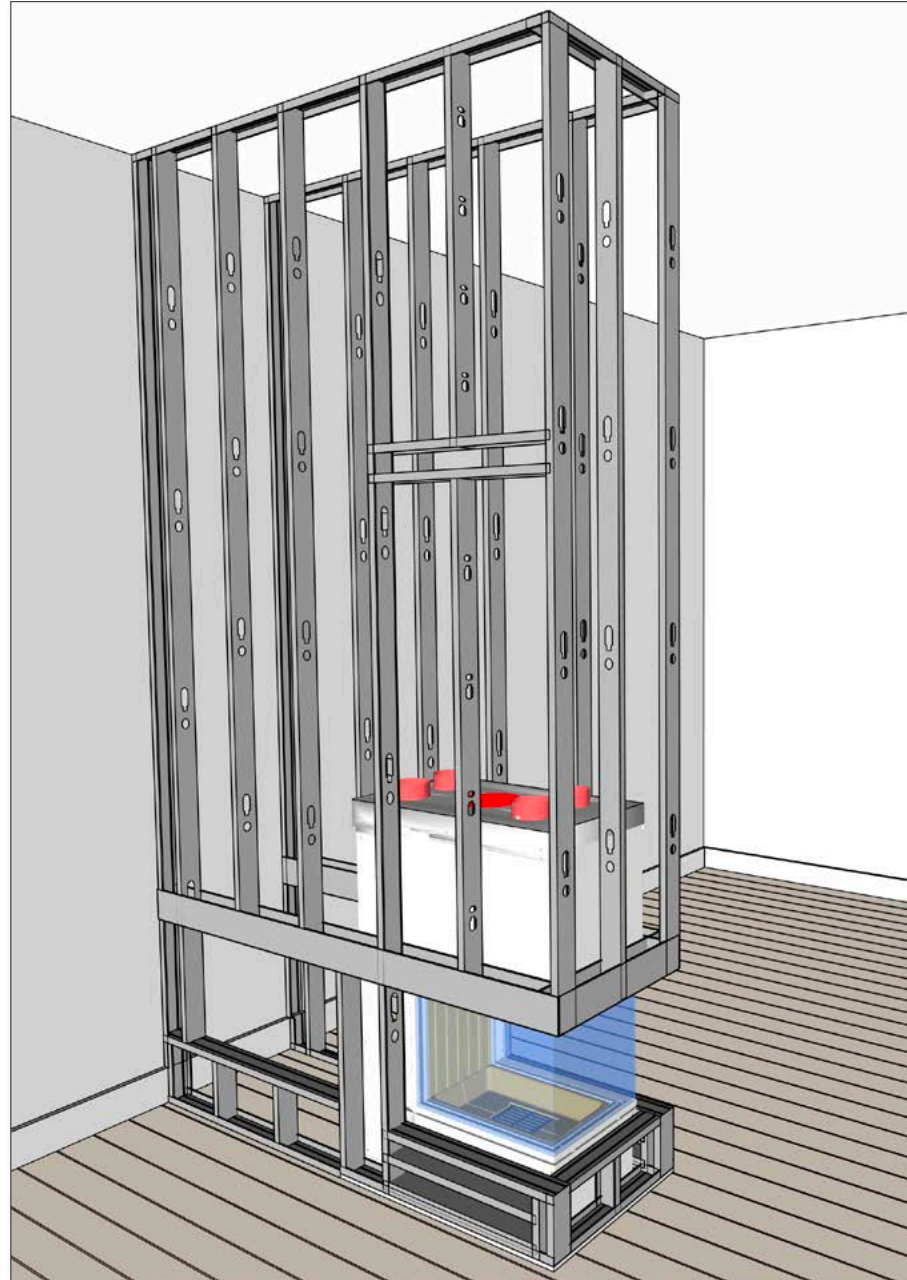
The surround cavity floor directly below the fireplace must be covered with a non-combustible material.

The whole of the surround cavity ceiling must be capped with a non-combustible material.

NOTICE

Minimum distance between the convection air exhaust opening to the ceiling and combustibles is six and one-half inches (6-1/2").

Convection air exhaust plenum to be mounted on non-combustible framing members or metallic hanging straps with a minimum of six and one-half inches (6-1/2") from combustibles.



Example: Luxus Pier 28

WARNING

FRAMING OR FINISHING MATERIALS SHALL NOT BE ATTACHED BY SCREWS OR GLUE DIRECTLY ONTO THE ZERO-CLEARANCE ENCLOSURE PANELS

NOTICE

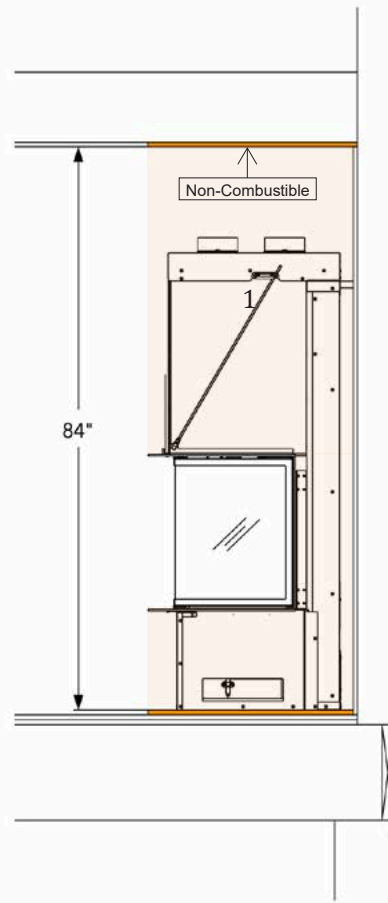
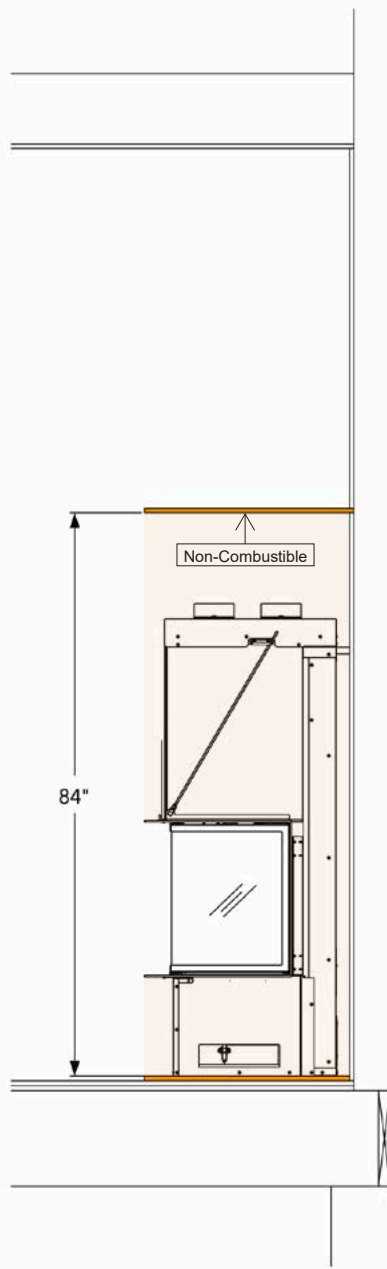
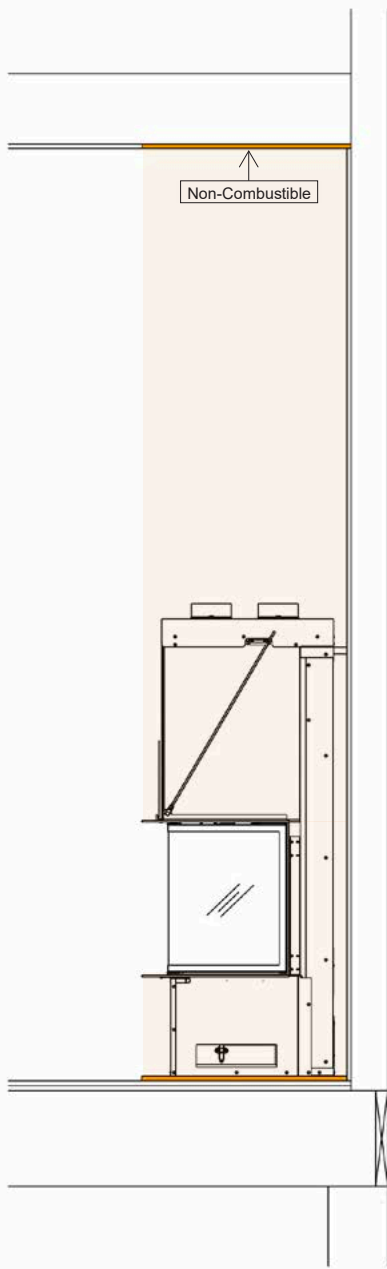
Corner, Bay and Peninsula models include a detachable metal door frame kit that extends approximately four inches (4") outward measured from the glass of the fireplace door.

Fireplace surround design and hearth style will determine whether the frame kit is utilized or removed.

Ensure framing and finish cladding allow the doors to swing into the room in order to service and clean glass.

Check that frame kit is level before framing.

Fireplace frame kit can support up to 300lbs.



⚠ WARNING

MINIMUM DISTANCE OF 84" IS REQUIRED BETWEEN THE BOTTOM OF THE ZERO-CLEARANCE ENCLOSURE AND THE UNDERSIDE OF THE CHASE CEILING OR ROOM CEILING

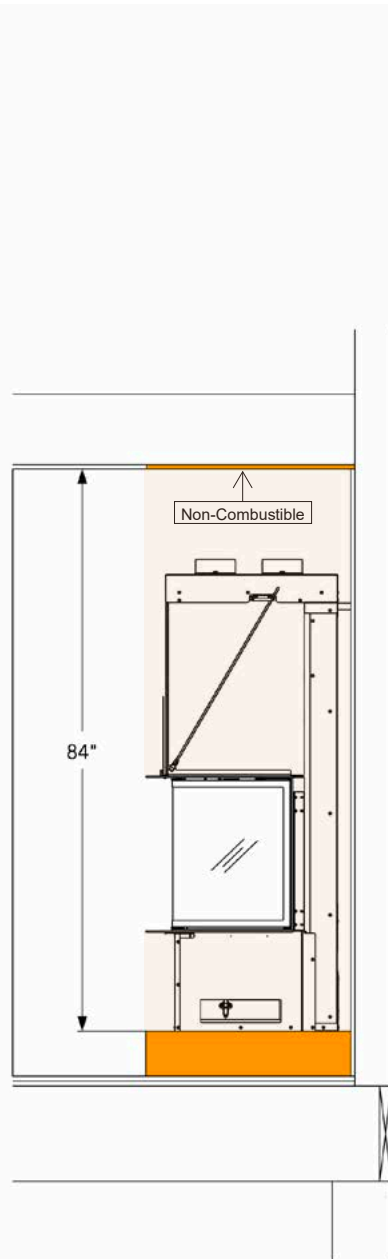
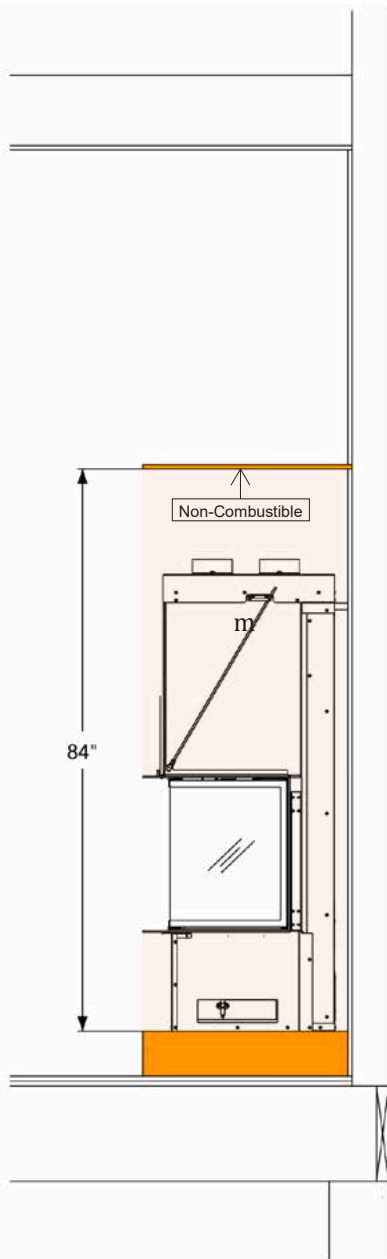
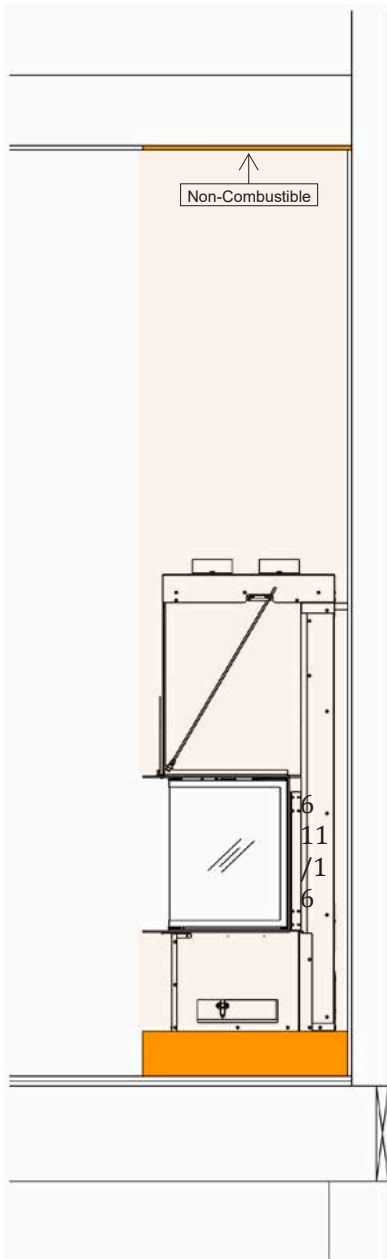
⚠ WARNING

CEILING AREA ENCLOSED BY A SURROUND MUST BE A NON-COMBUSTIBLE MATERIAL

NOTICE

Minimum of 84' applies to all fireplace models regardless of the height of the zero-clearance enclosure.

Examples: Luxus Bay 40 with Door Frame Kit **ON FLOOR INSTALLATION**



⚠ WARNING

MINIMUM DISTANCE OF 84" IS REQUIRED BETWEEN THE BOTTOM OF THE ZERO-CLEARANCE ENCLOSURE AND THE UNDERSIDE OF THE CHASE CEILING OR ROOM CEILING.

⚠ WARNING

CEILING AREA ENCLOSED BY A SURROUND MUST BE A NON-COMBUSTIBLE MATERIAL

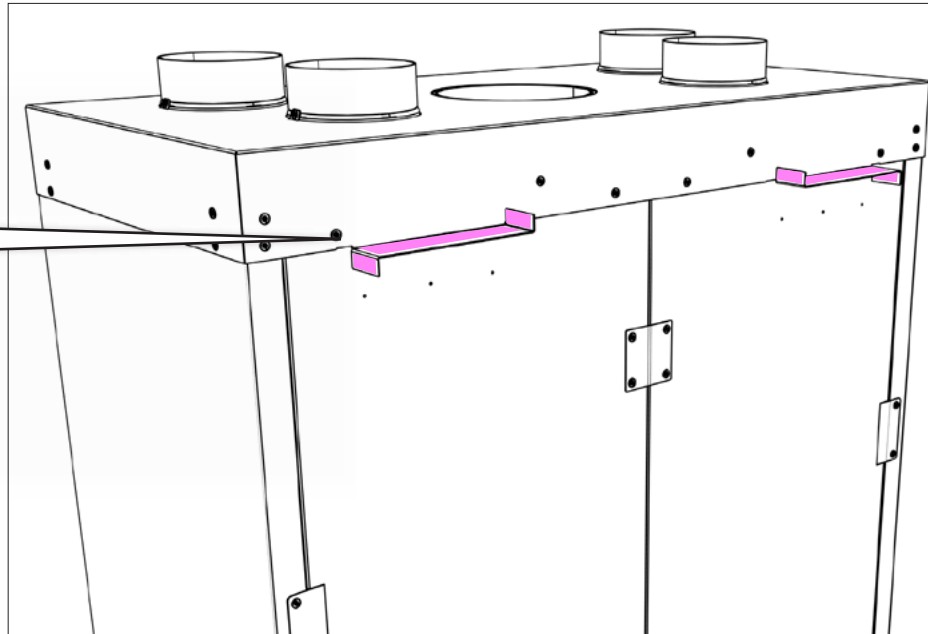
NOTICE

Minimum of 84" applies to all fireplace models regardless of the height of the zero-clearance enclosure.

Examples: Luxus Bay 40 with Door Frame Kit ON PLATFORM INSTALLATION

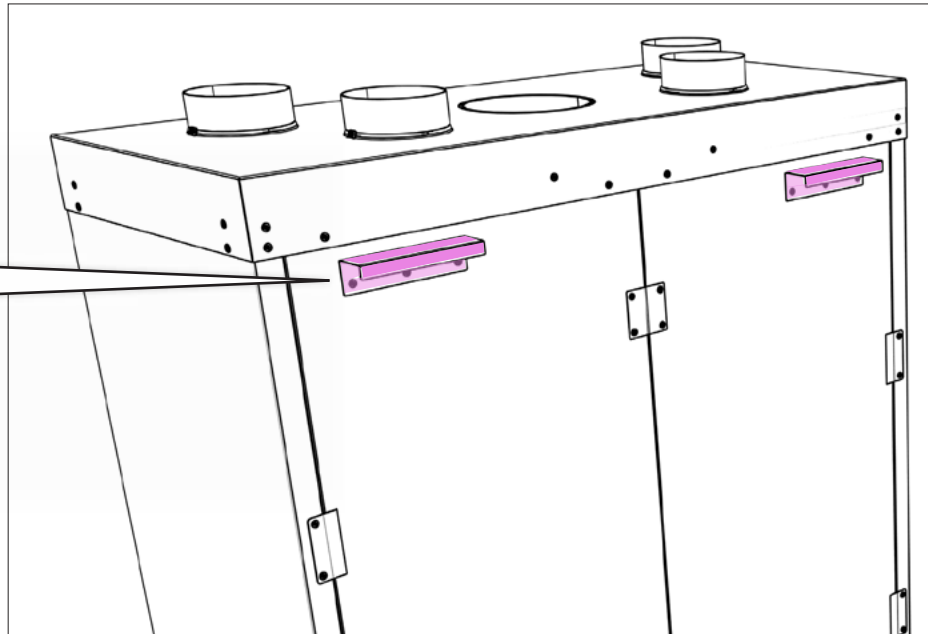
Bend to Engage Spacer

The bend to engage type spacer requires activation. It is a part of the top enclosure panel and must not be removed or altered in any way other than to engage it. You must bend it up into position and then bend the end tabs to keep it engaged.



Fixed Spacer

The fixed type spacer is ready for use. It is permanently riveted to the enclosure panel and must not be removed or altered in any way.



DANGER

YOU MUST MAINTAIN THE
REQUIRED TWO INCH (2")
CLEARANCE TO
COMBUSTIBLE MATERIALS

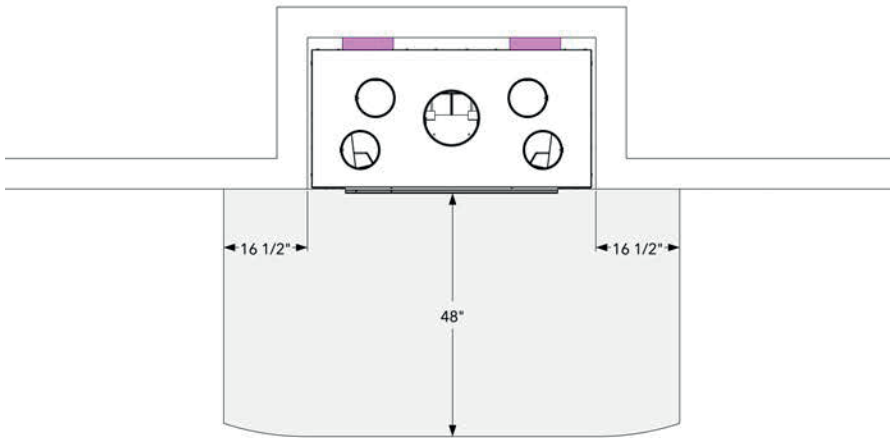
NOTICE

Enclosures may be fitted with either fixed or bend to engage type air clearance spacers.

Single-Face, Bay and Peninsula units maintain the minimum of two inches (2") of clearance at the rear of the enclosure.

Corner units maintain the minimum of two inches (2") of clearance at the rear and one side of the enclosure.

See-Through unit maintains the minimum of two inches (2") of clearance at both sides of the enclosure.

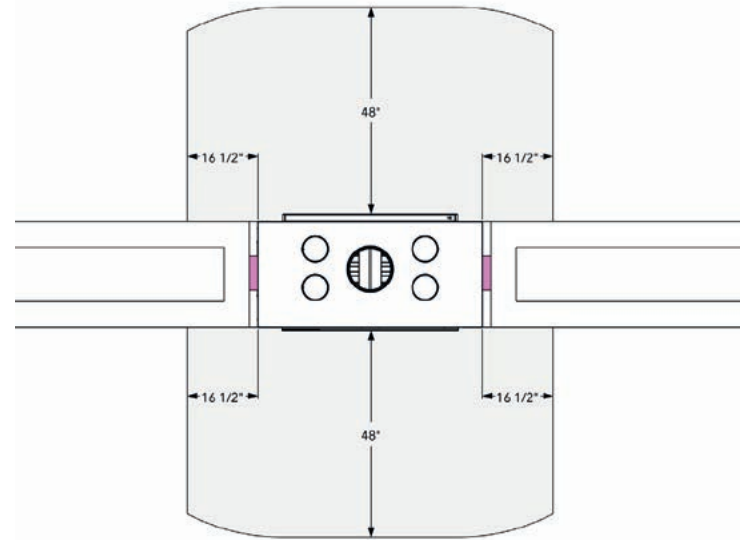


ALL SINGLE FACE STYLE FIREPLACES

Minimum Distance to Combustibles

Example: Luxus 40 High

 = mandatory 2 inch spacer

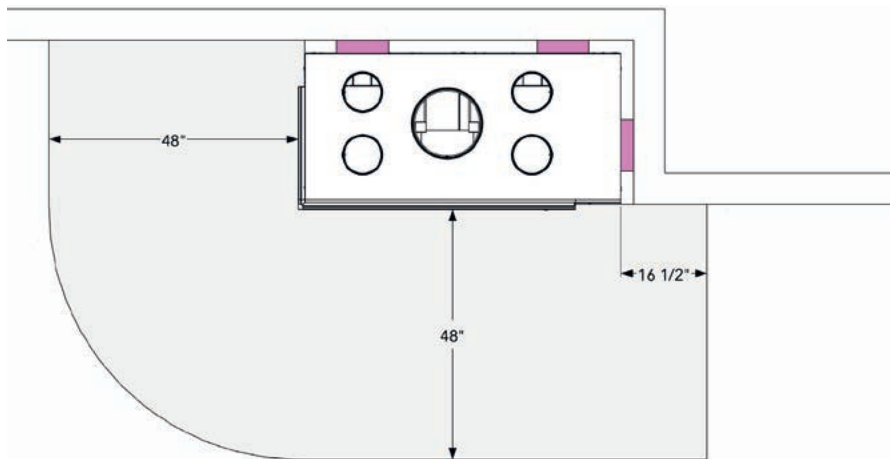


SEE-THROUGH STYLE FIREPLACE

Minimum Distance to Combustibles

Example: Luxus See-Thru 40

 = mandatory 2 inch spacer

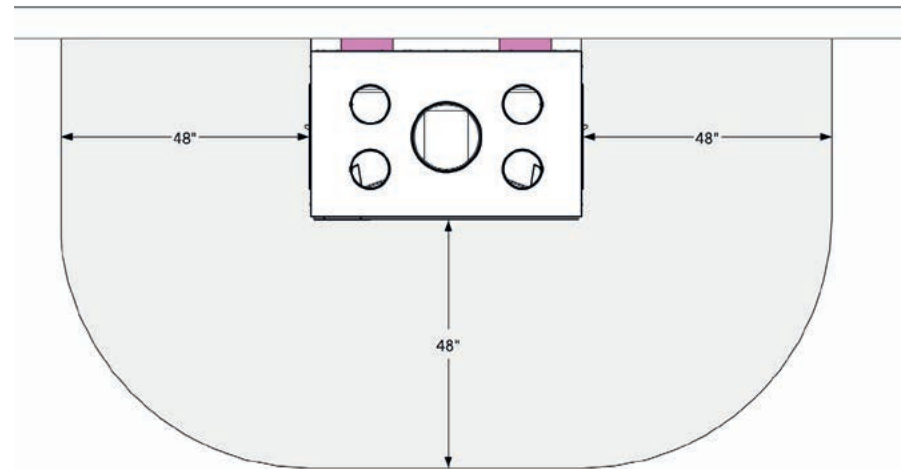


ALL CORNER STYLE FIREPLACES

Minimum Distance to Combustibles

Example: Luxus Corner Left 40

 = mandatory 2 inch spacer

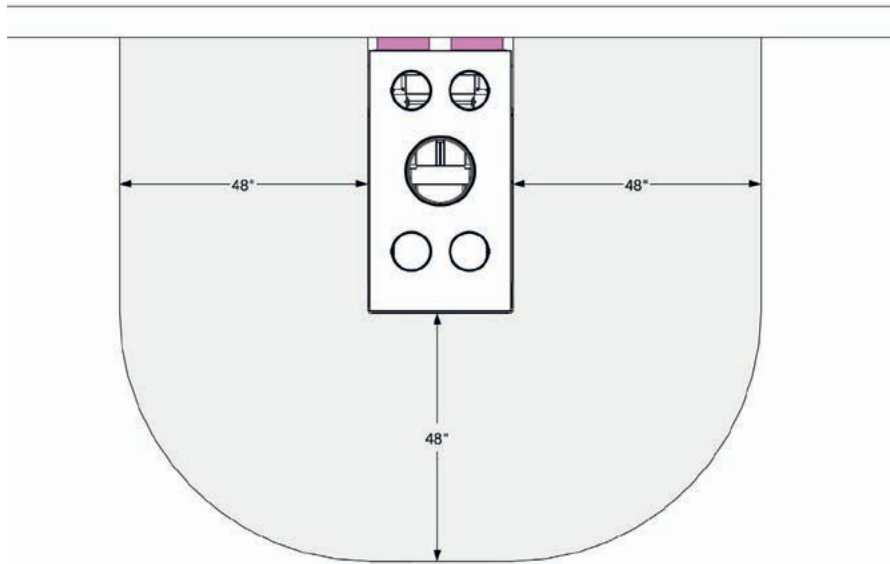


ALL BAY STYLE FIREPLACES

Minimum Distance to Combustibles

Example: Luxus Bay 40

 = mandatory 2 inch spacer



ALL PENINSULA STYLE FIREPLACES

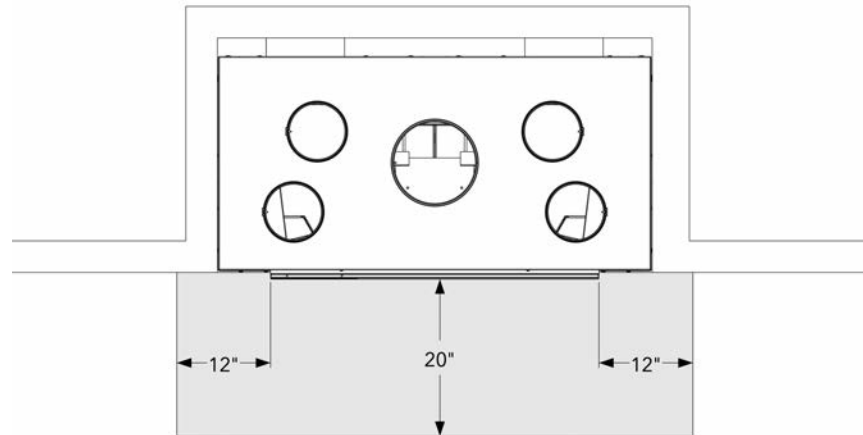
Minimum Distance to Combustibles

Example: Luxus Pier 28

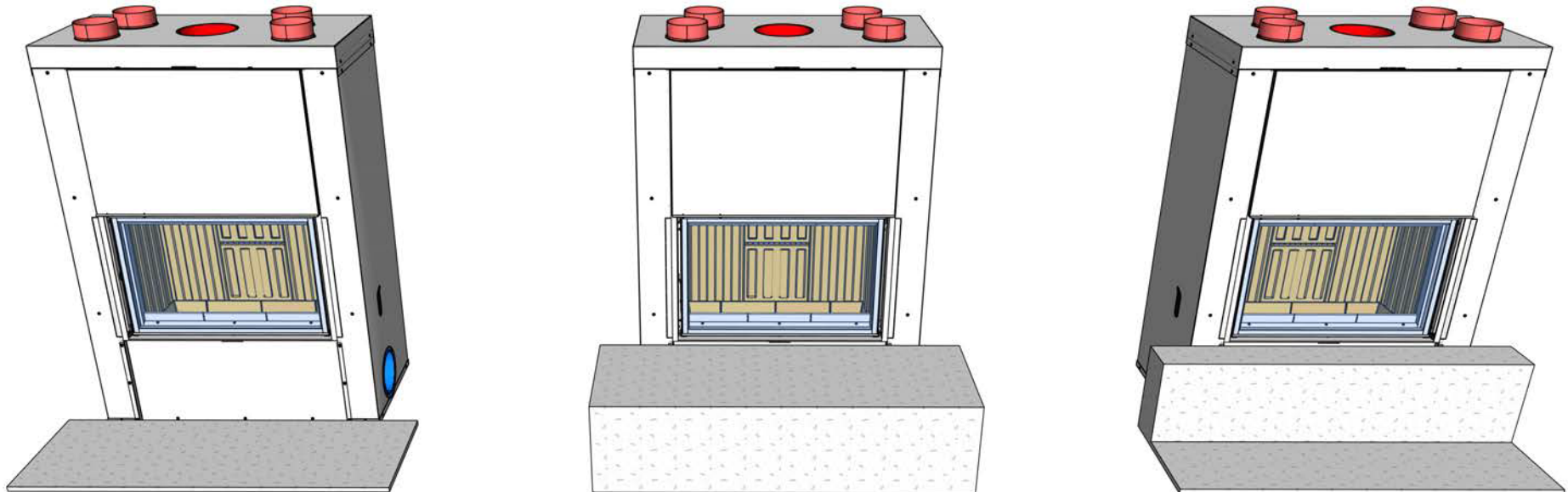
 = mandatory 2 inch spacer

NOTICE

A non-combustible hearth extension in front of and to the sides of the fire chamber opening must be installed to protect a combustible floor from both radiant heat, embers and sparks.

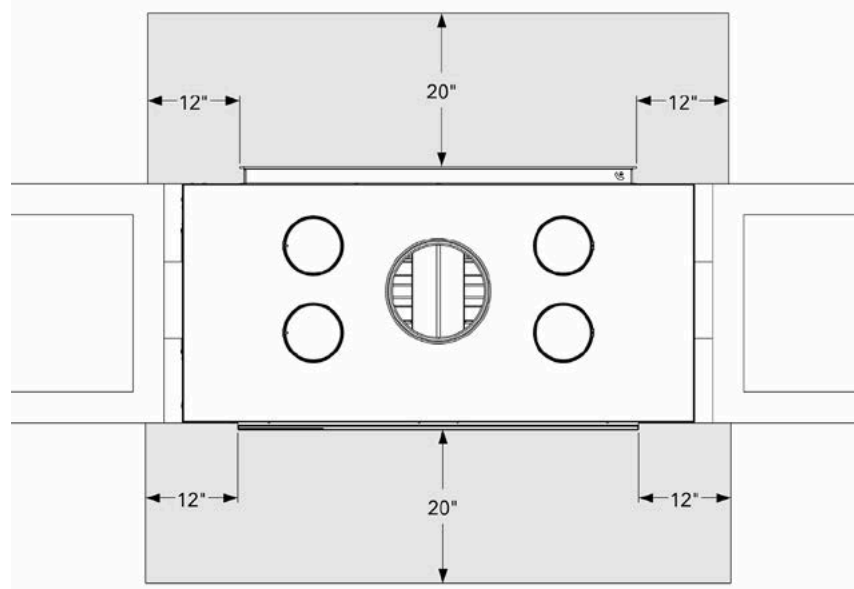


Minimum dimensions of non-combustible hearth extension measured from door glass.
Models **Luxus 40 High** | **Luxus 40 Low** | **Luxus 26 Tall**



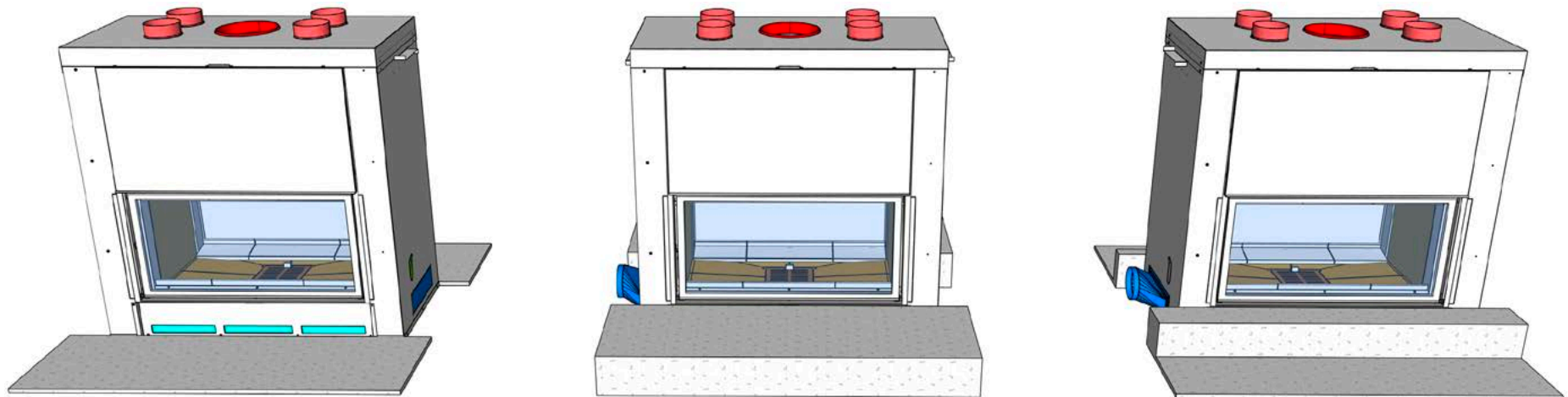
NOTICE

A non-combustible hearth extension in front of and to the sides of the fire chamber opening must be installed to protect a combustible floor from both radiant heat, embers and sparks.



Minimum dimensions of non-combustible hearth extension measured from door glass.

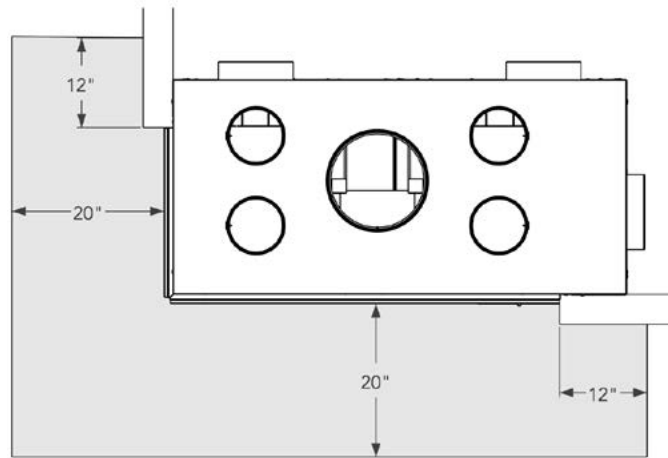
Model **Luxus See-Thru 40**



VERSION 41, INCLUDES REQUESTED EDITS AS OF 4/26/22

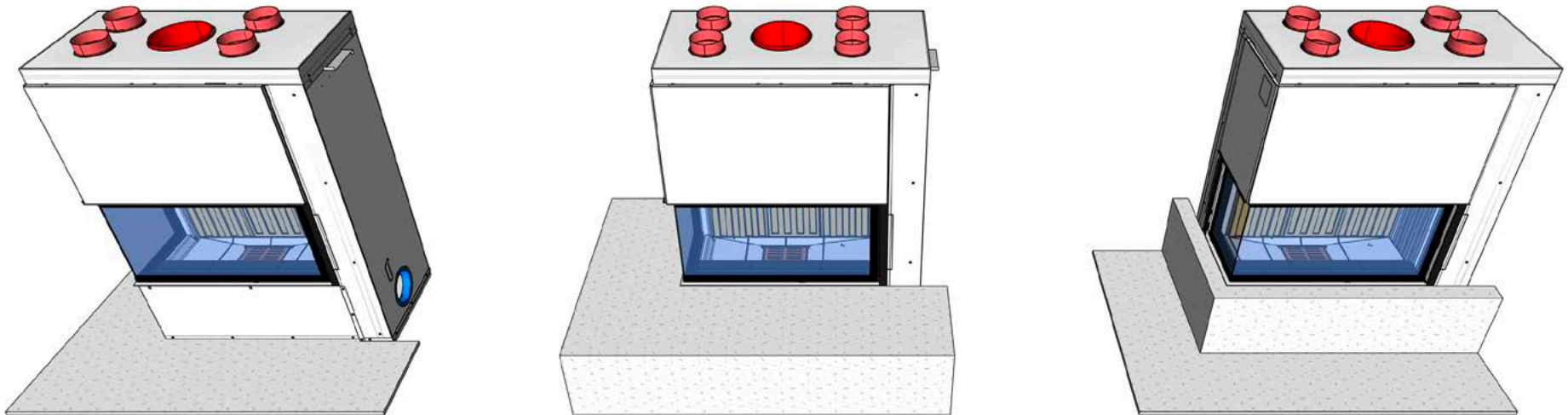
NOTICE

A non-combustible hearth extension in front of and to the sides of the fire chamber opening must be installed to protect a combustible floor from both radiant heat, embers and sparks.



Minimum dimensions of non-combustible hearth extension measured from door glass.

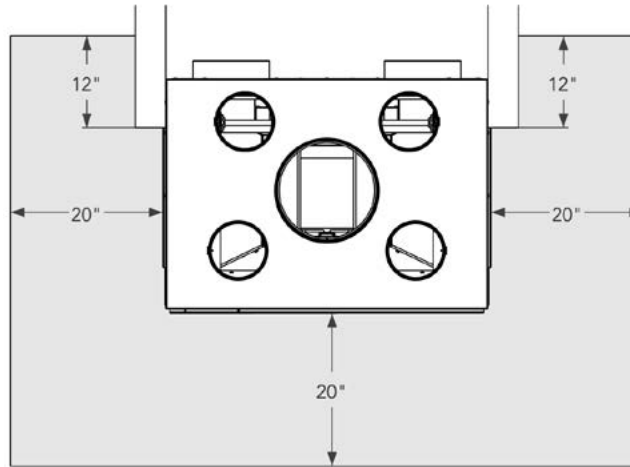
Models **Luxus Corner Right 32** | **Luxus Corner Left 32** | **Luxus Corner Right 40** | **Luxus Corner Left 40**



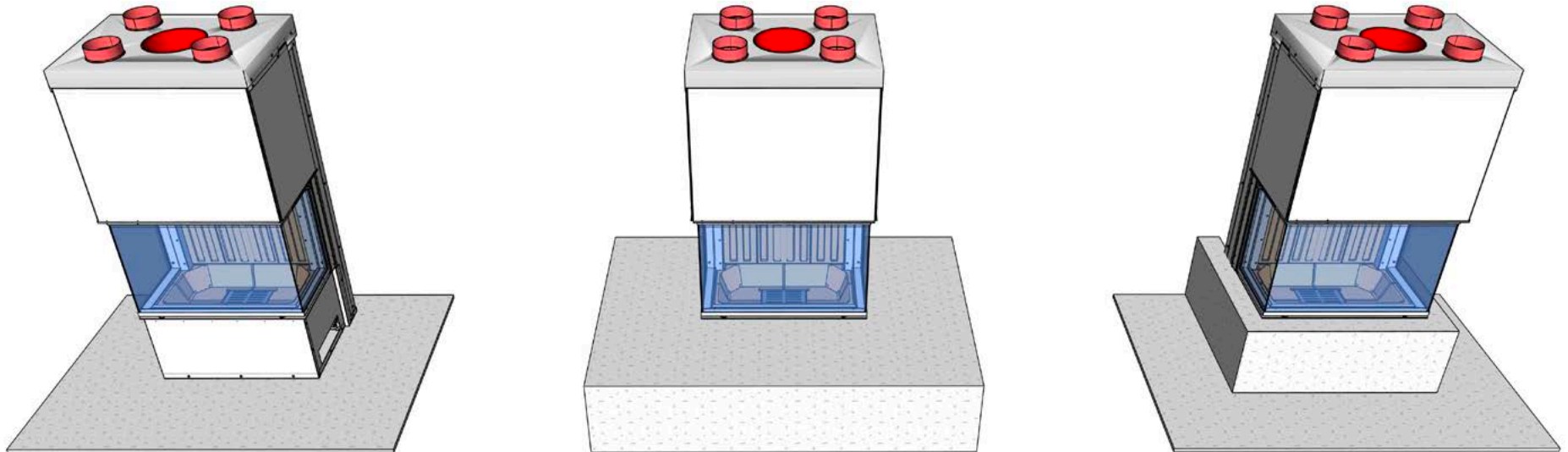
Examples: Luxus Corner LEFT 40

NOTICE

A non-combustible hearth extension in front of and to the sides of the fire chamber opening must be installed to protect a combustible floor from both radiant heat, embers and sparks.



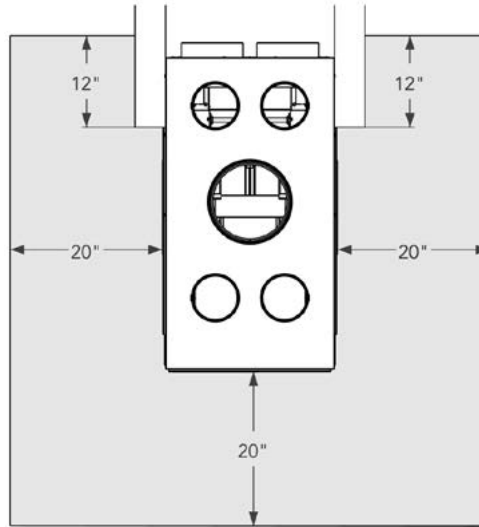
Minimum dimensions of non-combustible hearth extension measured from door glass.
Models **Luxus Bay 32** | **Luxus Bay 40**



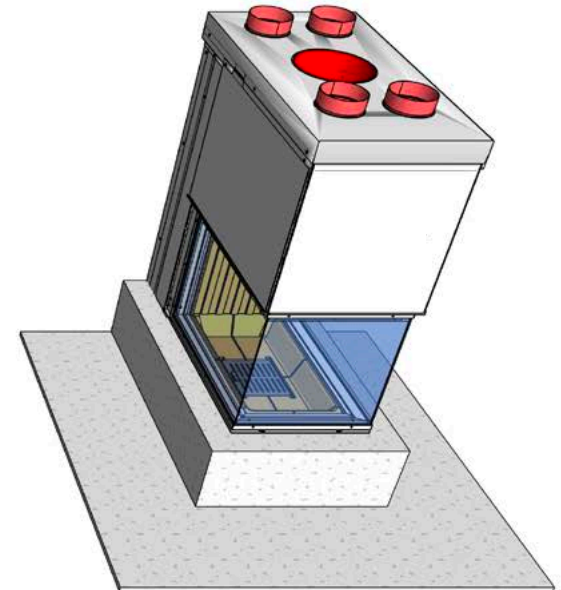
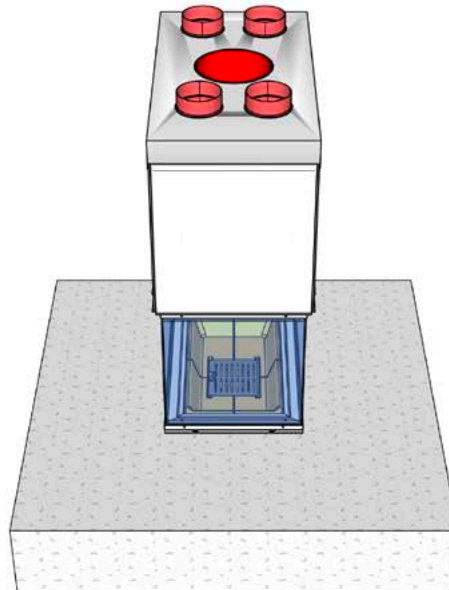
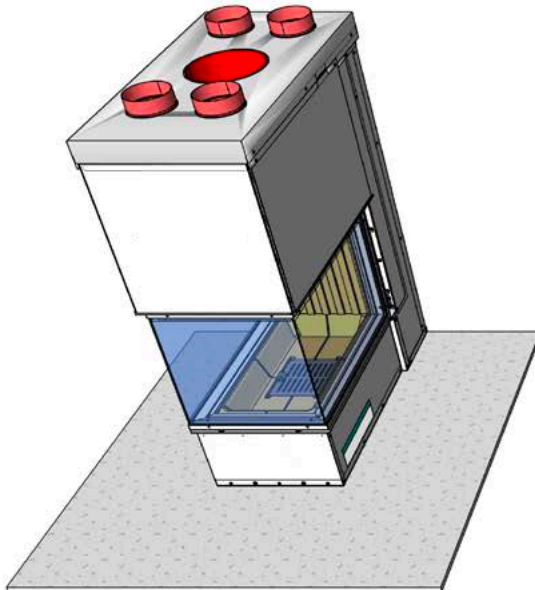
Examples: Luxus Bay 32

NOTICE

A non-combustible hearth extension in front of and to the sides of the fire chamber opening must be installed to protect a combustible floor from both radiant heat, embers and sparks.



Minimum dimensions of non-combustible hearth extension measured from door glass.
Models **Luxus Pier 28** | **Luxus Pier 36**



Examples: Luxus Pier 28

STEP 1

Swing the transportation lock bolt covers up to reveal the transportation lock bolt.



STEP 2

Use a socket wrench to remove the transportation bolts* in order to free the door counterweights.



STEP 3

Swing transportation lock bolt covers down.



STEP 4

Tighten the lock bolt cover pivot screws.



NOTICE

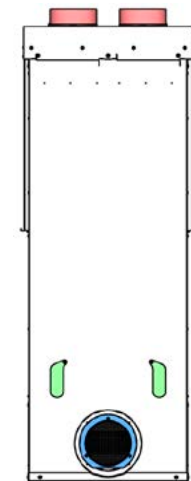
Lock bolts must be removed in order for the door mechanism to operate.

NOTICE

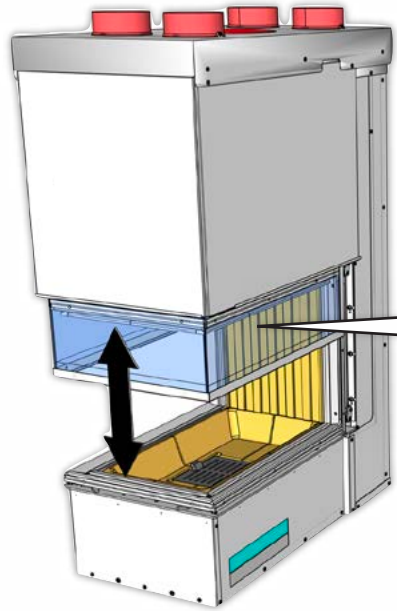
Keep the fireplace in an upright position after the lock bolts are removed.

NOTICE

Remove the lock bolts when the fireplace is in or near its final installation position.



Example: Rear Panel of Luxus Pier 28

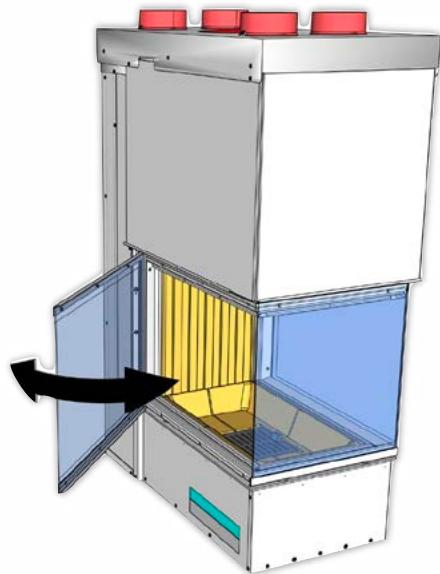
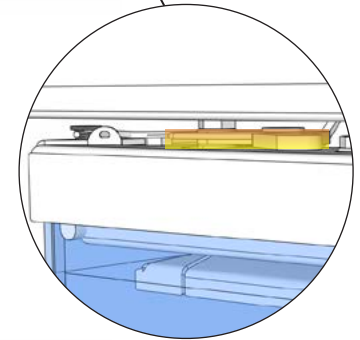
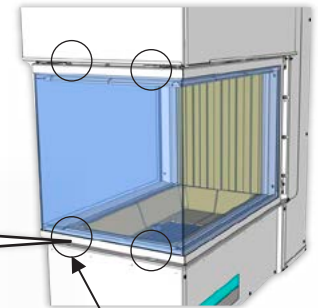


STEP 1

Raise and lower the door to verify smooth operation.

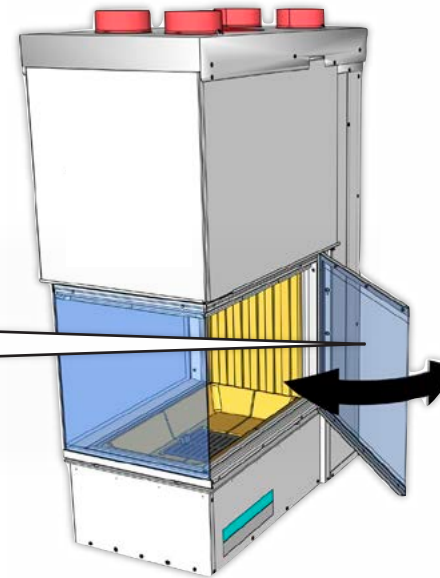
STEP 2

Unlatch the top and bottom door retaining clasps to free the side door panels.

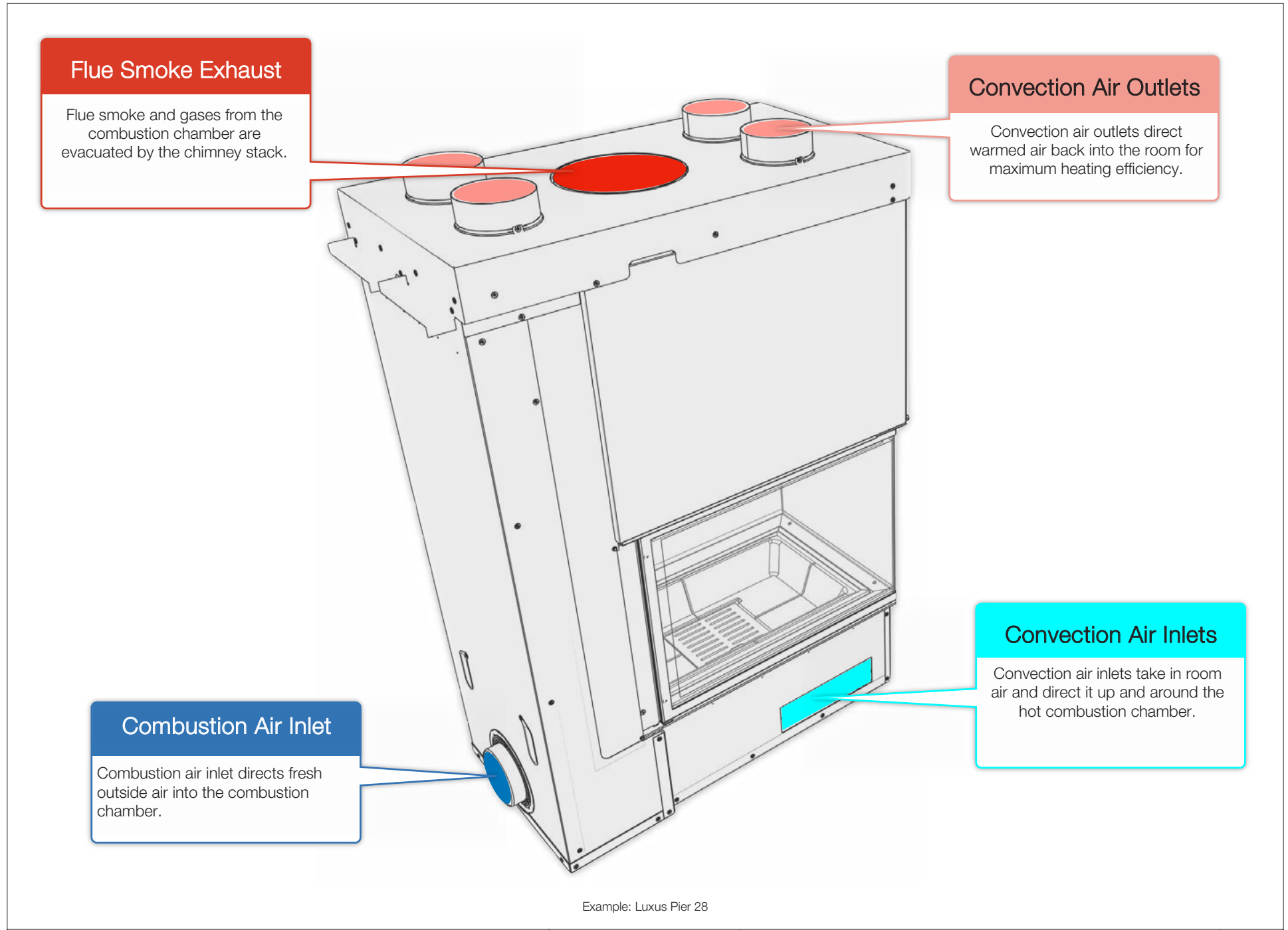


STEP 3

Grasp the side door panels by the metal frame only. Swing the door open to verify it operates smoothly.



Example: Luxus Pier 28



Flue Smoke Exhaust

Flue smoke and gases from the combustion chamber are evacuated by the chimney stack.

Convection Air Outlets

Convection air outlets direct warmed air back into the room for maximum heating efficiency.

Combustion Air Inlet

Combustion air inlet directs fresh outside air into the combustion chamber.

Convection Air Inlets

Convection air inlets take in room air and direct it up and around the hot combustion chamber.

Example: Luxus Pier 28

AIR SYSTEMS PORT DIMENSIONS

SINGLE-SIDED	COMBUSTION AIR INLET	FLUE SMOKE EXHAUST	CONVECTION AIR INLETS	CONVECTION AIR OUTLETS
Luxus 40 High	Under Mount Connector	Ø10"	two @ 6" round	four @ Ø 6"
Luxus 40 Low	Rectangular to Round Connector	Ø8"	two @ 11-5/16"x 3-3/8"	four @ Ø 6"
Luxus 26 Tall	Rectangular to Round Connector	Ø8"	two @ 13-7/16"x 3-5/8"	four @ Ø 6"

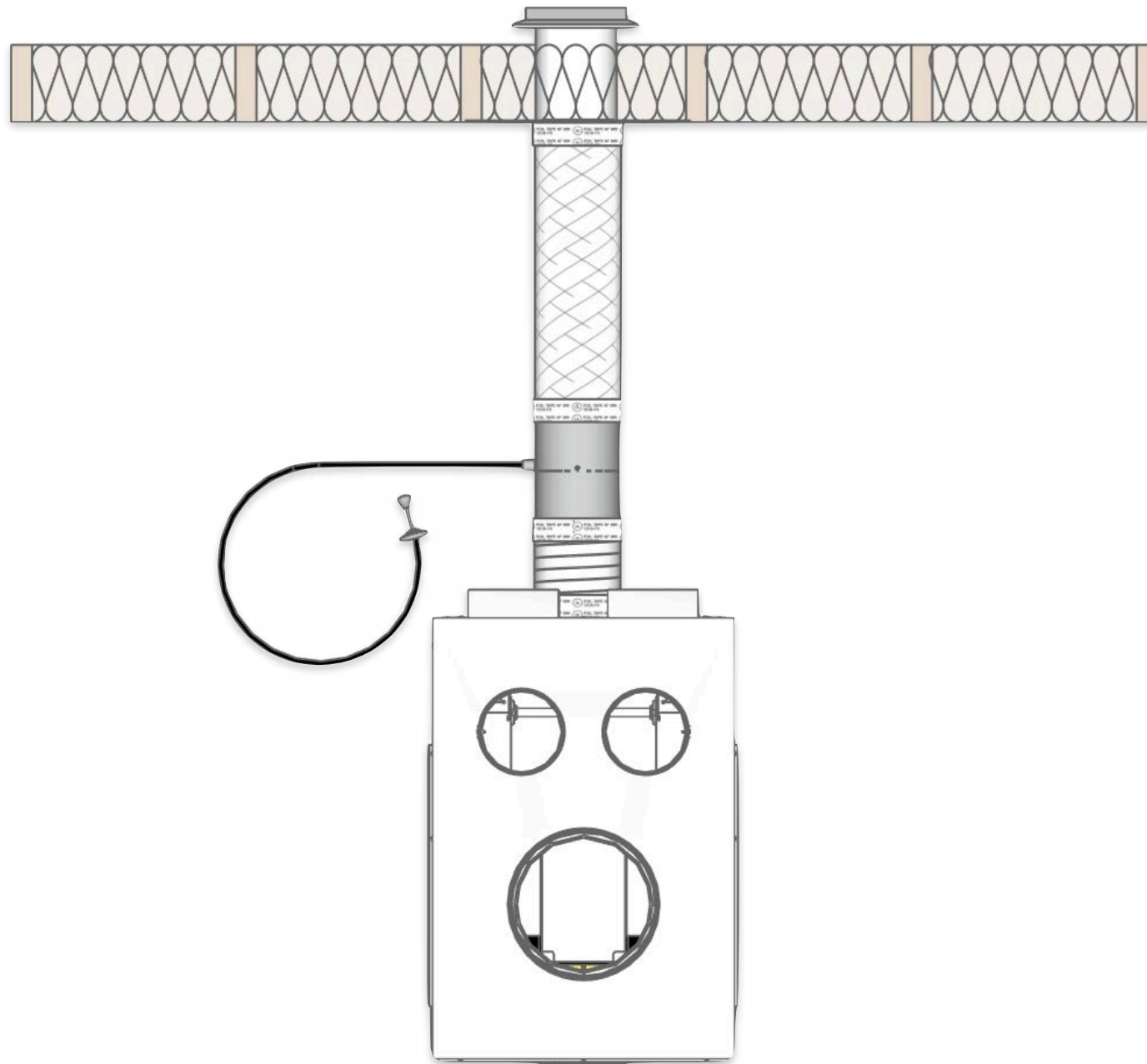
SEE-THROUGH	COMBUSTION AIR INLET	FLUE SMOKE EXHAUST	CONVECTION AIR INLETS	CONVECTION AIR OUTLETS
Luxus See-Thru 40	Rectangular to Round Connector	Ø10"	two @ 11-5/16"x 3-3/8"	four @ Ø 6"

CORNER	COMBUSTION AIR INLET	FLUE SMOKE EXHAUST	CONVECTION AIR INLETS	CONVECTION AIR OUTLETS
Luxus Corner Left 32	Under Mount Connector	Ø10"	two @ 6" round	four @ Ø 6"
Luxus Corner Right 32	Under Mount Connector	Ø10"	two @ 6" round	four @ Ø 6"
Luxus Corner Left 40	Under Mount Connector	Ø10"	two @ 6" round	four @ Ø 6"
Luxus Corner Right 40	Under Mount Connector	Ø10"	two @ 6" round	four @ Ø 6"

BAY	COMBUSTION AIR INLET	FLUE SMOKE EXHAUST	CONVECTION AIR INLETS	CONVECTION AIR OUTLETS
Luxus Bay 32	Under Mount Connector	Ø10"	two @ 11-5/16"x 3-3/8"	four @ Ø 6"
Luxus Bay 40	Under Mount Connector	Ø10"	two @ 11-5/16"x 3-3/8"	four @ Ø 6"

PENINSULA	COMBUSTION AIR INLET	FLUE SMOKE EXHAUST	CONVECTION AIR INLETS	CONVECTION AIR OUTLETS
Luxus Pier 28	Collar Connector	Ø10"	two @ 11-5/16"x 3-3/8"	four @ Ø 6"
Luxus Pier 36	Collar	Ø10"	two @ 11-5/16"x 3-3/8"	four @ Ø 6"

EXAMPLE OF COMBUSTION AIR CONNECTION. Not unit specific.






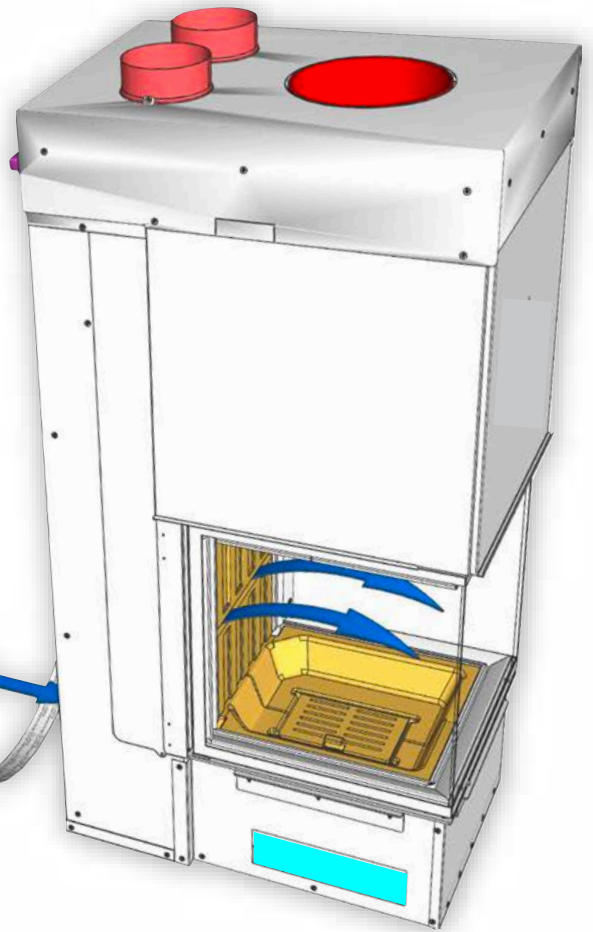
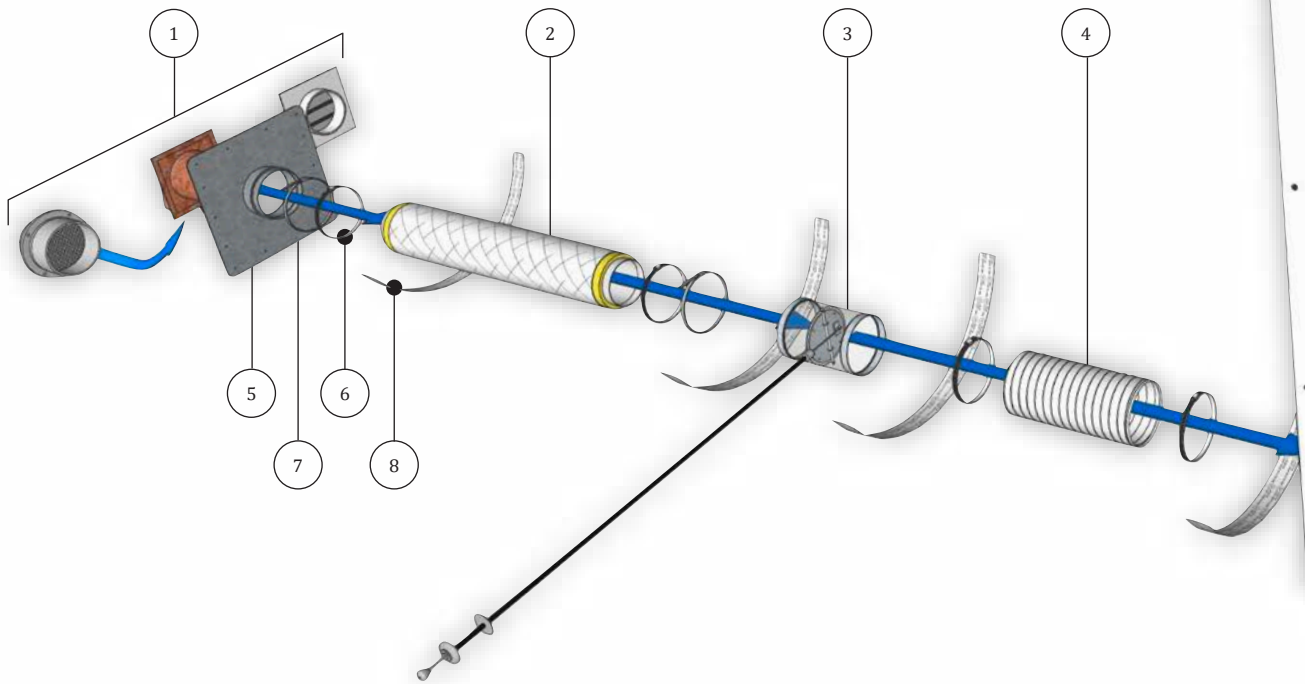
⚠ DANGER

FRESH AIR COMBUSTION SYSTEM MUST BE INSTALLED IN ORDER TO ACHIEVE OPTIMUM WOOD BURN

⚠ CAUTION

COMBUSTION AIR DUCTING SHALL BE CORROSION-RESISTANT SHEET METAL HAVING A MINIMUM THICKNESS OF .016 (26 GAUGE)

1	combustion air inlet cover as per specifications found in section 5.3 / silicone caulking and urethane spray foam sealant- as required
2	6" round insulated flexible duct / UL181B labeled
3	supplied manually operated butterfly damper closure valve with attached pull to open / push to close wall mountable handle
4	6" round semi-rigid duct / UL181B labeled
5	metallic interior wall thimble
6	metallic worm-gear clamp to secure inner semi rigid duct
7	metallic band clamp or UL181B labeled non metallic band clamps to secure outer cover of insulated duct
8	2" or wider UL181B-FX labeled foil tape
	stainless steel 5/16" hex head self tapping screws ranging from 1/4" to 1" long -as required
	metallic cable clamps to secure damper valve linkage cable and ensure smooth and quiet operation - as required
	metallic duct supports and hangers to prevent duct bends from crush and collapse and long runs from sagging - as required



Preferred Termination Location: outside wall which is free from snow, leaves or debris

Alternative Termination Location: non-mechanically ventilated crawl space free of combustible liquids

NO!: any attic space

NO!: garage space

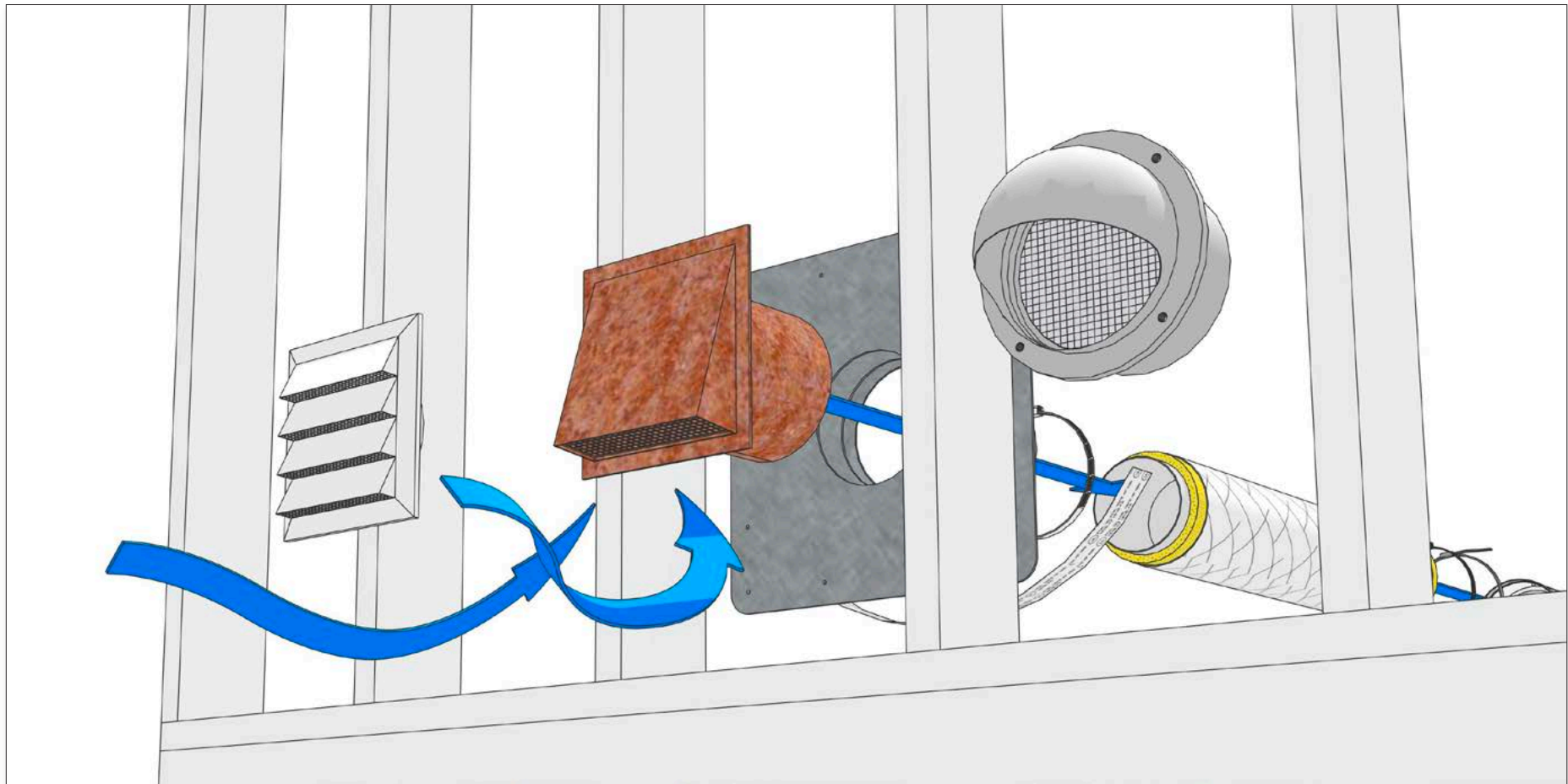
NO!: combustible liquid storage space

NO!: basement space

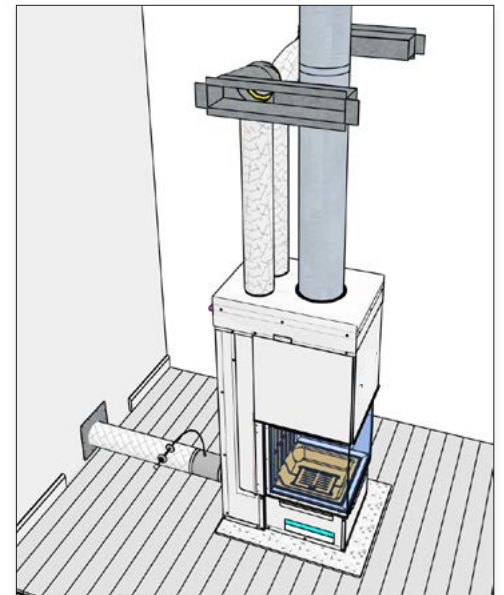
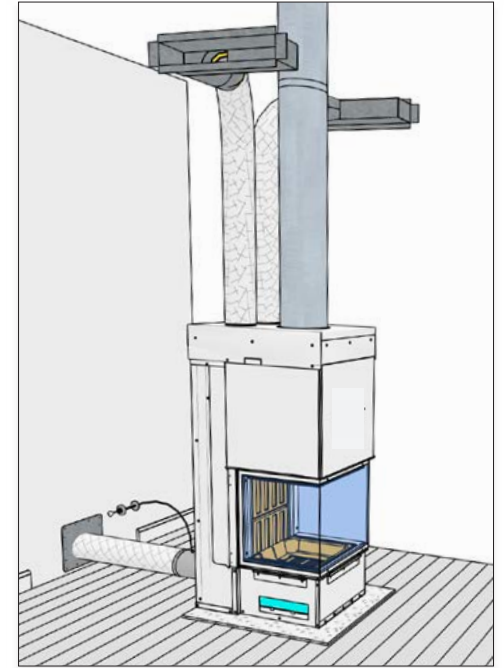
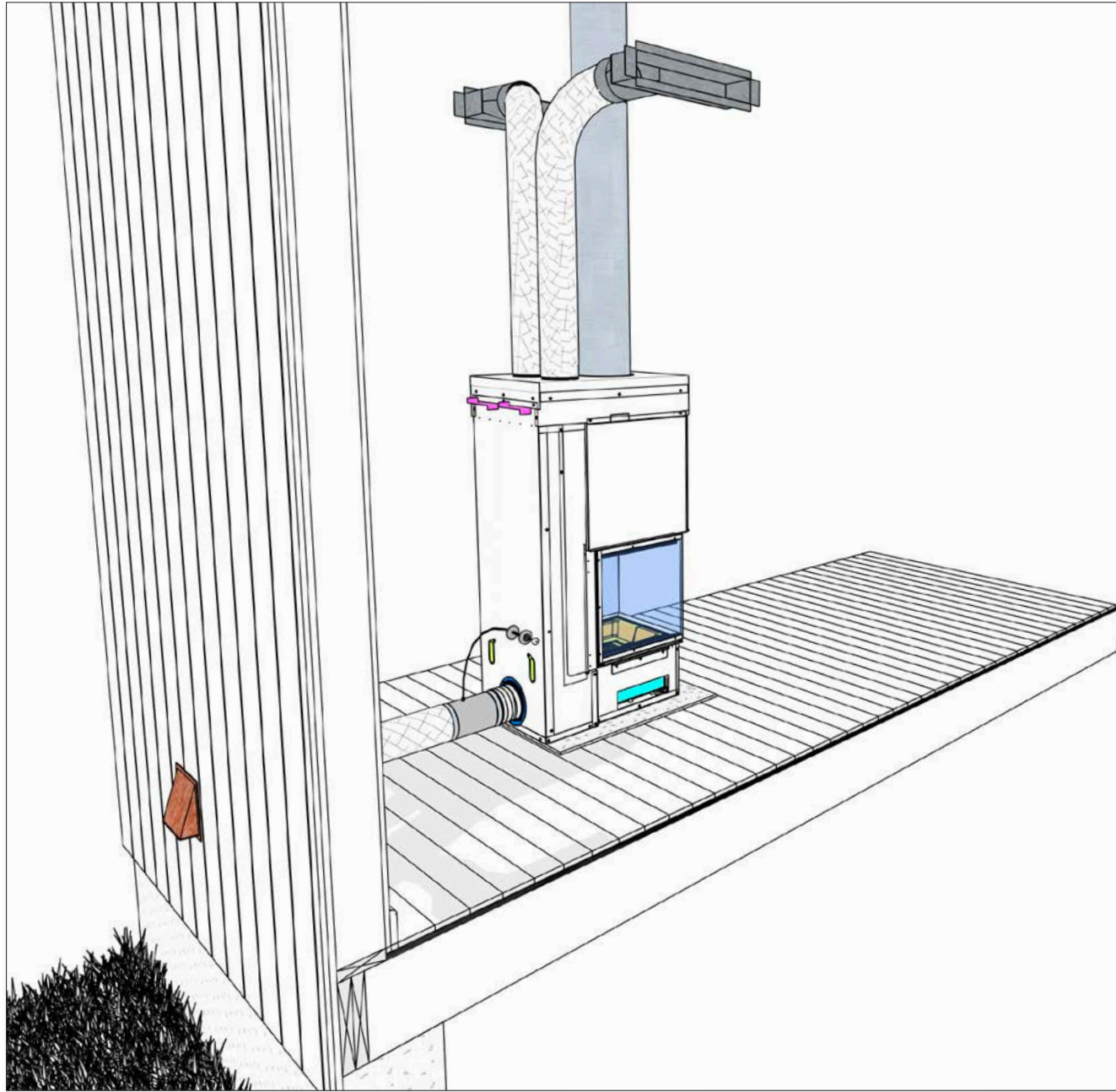


CAUTION

TERMINATION CAP MUST HAVE A MINIMUM FREE AIR FLOW OF 28.26 SQ INCHES AND A 1/4" x 1/4" MESH RODENT SCREEN. SMALLER SCREENS NOT PERMISSIBLE



EXAMPLE OF CONVECTION PORT INSTALLATION. Not unit specific.



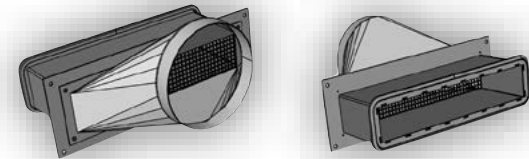
SINGLE-SIDED	CONNECTOR TYPE	CONNECTION LOCATION OPTIONS
Luxus 40 High	Under Mount	Rear
Luxus 40 Low	Rectangular to Round	Left Side, Right Side or Rear 2x
Luxus 26 Tall	Rectangular to Round	Left Side or Right Side

SEE-THROUGH	CONNECTOR TYPE	CONNECTION LOCATION OPTIONS
Luxus See-Thru 40	Rectangular to Round	Left Side or Right Side

CORNER	CONNECTOR TYPE	CONNECTION LOCATION OPTIONS
Luxus Corner Left 32	Under Mount	Rear or Left Side
Luxus Corner Right 32	Under Mount	Rear or Left Side
Luxus Corner Left 40	Under Mount	Rear or Left Side
Luxus Corner Right 40	Under Mount	Rear or Left Side

BAY	CONNECTOR TYPE	CONNECTION LOCATION OPTIONS
Luxus Bay 32	Under Mount	Rear
Luxus Bay 40	Under Mount	Rear

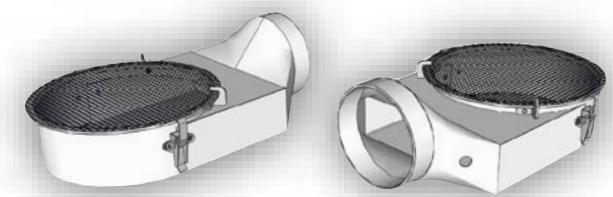
PENINSULA	CONNECTOR TYPE	CONNECTION LOCATION OPTIONS
Luxus Pier 28	Collar	Rear
Luxus Pier 36	Collar	Rear x 2



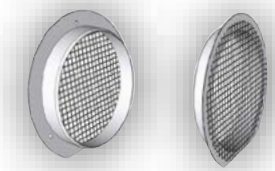
Rectangular to Ø 6" Round Connector

NOTICE

Models that utilize the under mount connector require that the rear, left or right side panel be temporarily removed to make the duct connection.



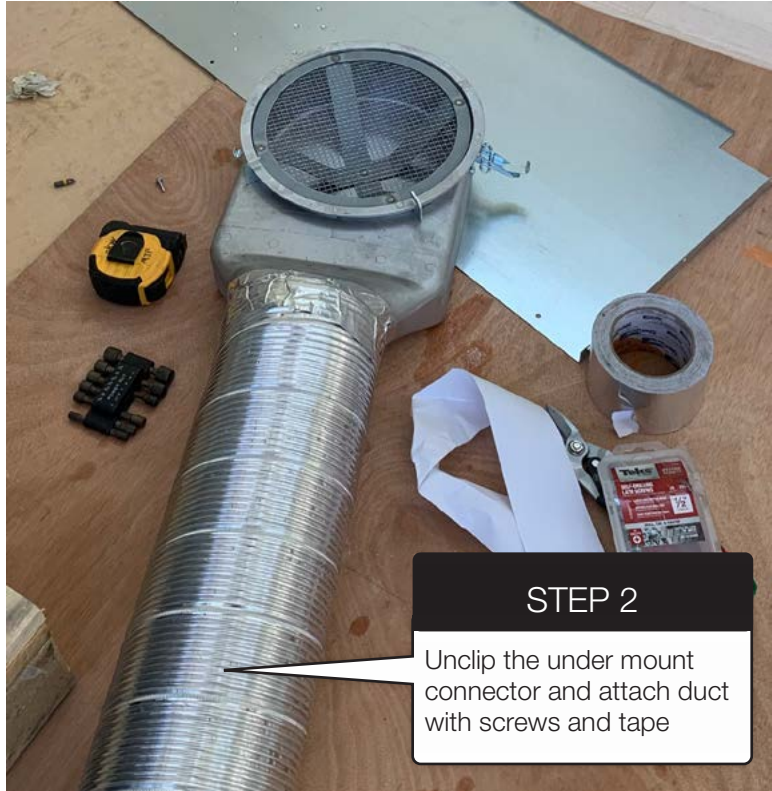
Ø 6" Under Mount Connector



Ø 6" Collar Connector



STEP 1
Remove the panel which provides access to the under mount connector



STEP 2
Unclip the under mount connector and attach duct with screws and tape



STEP 3
Slip ductwork through the enclosure panel



STEP 4
Clip the under mount connector to the fireplace

STEP 5
Attach the removed enclosure panels, cut duct to desired length and install damper





CAUTION

CLAMPS MAY ONLY BE INSTALLED ON THE ONE INCH OUTER SECTION OF THE DAMPER TO BE SURE TO KEEP THE DUCT ROUND



CAUTION

SCREWS MAY ONLY BE INSTALLED ON THE ONE INCH BEAD OUTER SECTION OF THE DAMPER

CABLE LENGTH

51" long flexible cable

LINKAGE ORIENTATION

Orient the cable linkage side of the butterfly plate towards the fireplace.

1" OUTER BEAD

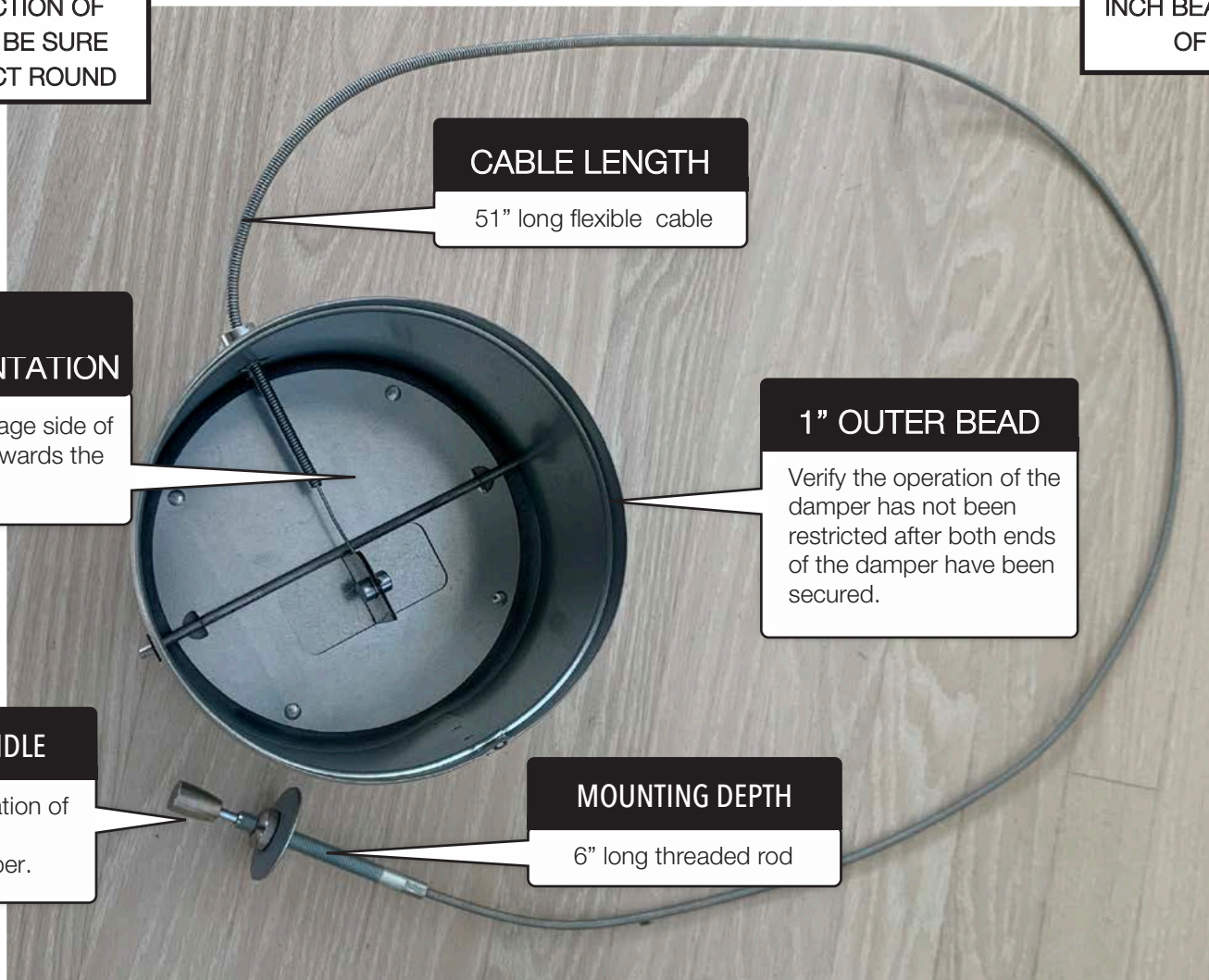
Verify the operation of the damper has not been restricted after both ends of the damper have been secured.

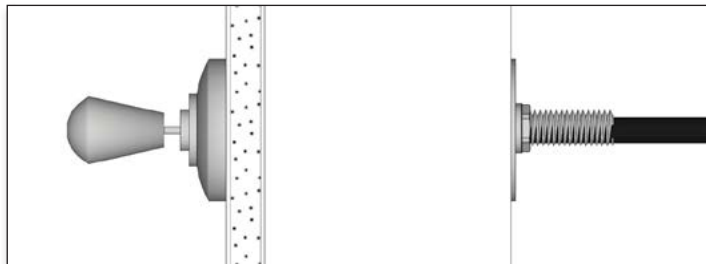
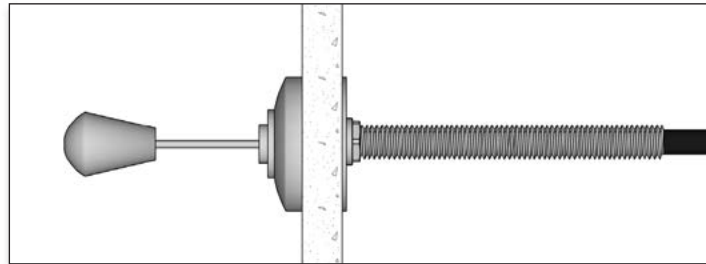
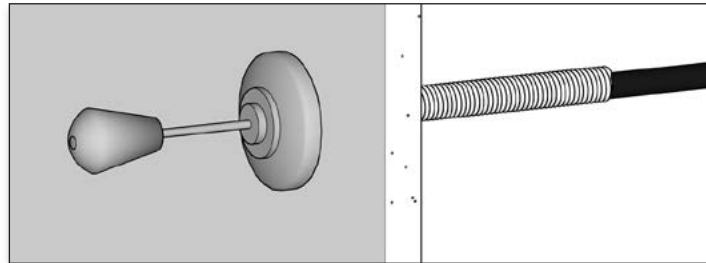
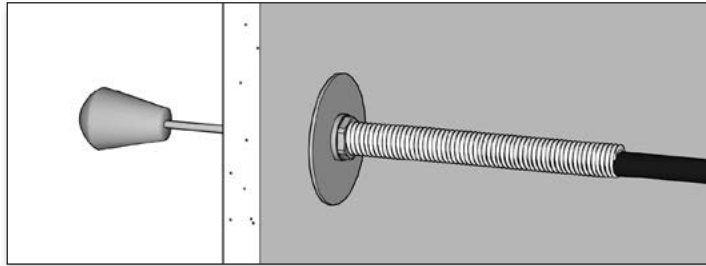
CONTROL HANDLE

Verify the final location of the handle before installing the damper.

MOUNTING DEPTH

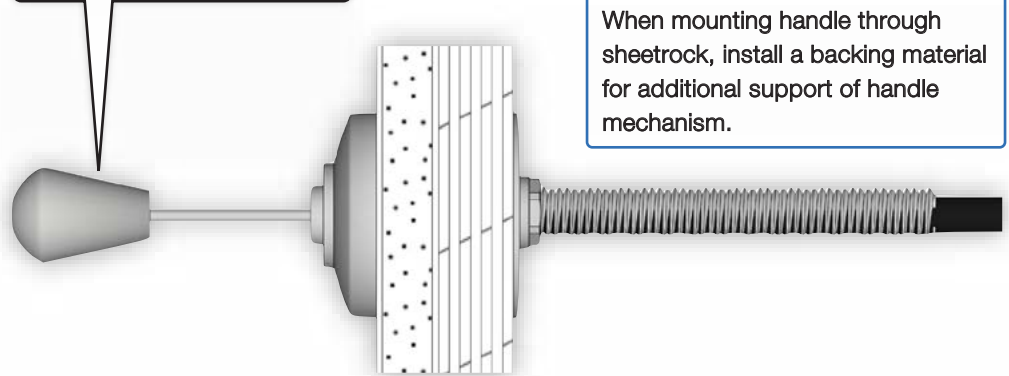
6" long threaded rod



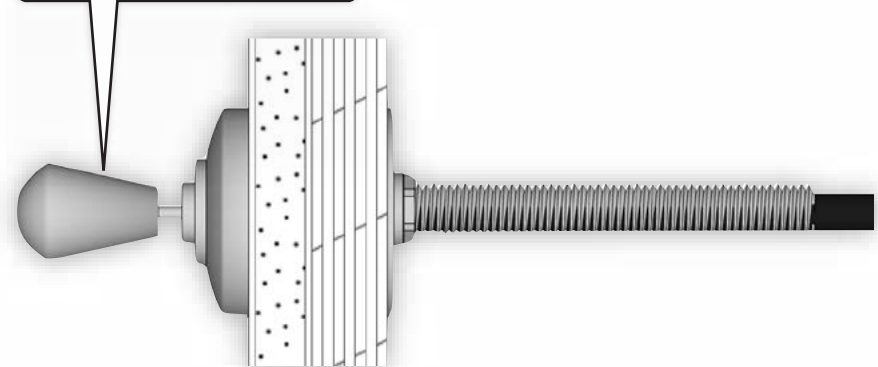


example: through framing member

OPEN POSITION
Free flow of outdoor air into combustion chamber





CLOSED POSITION
Outdoor air shut off from combustion chamber

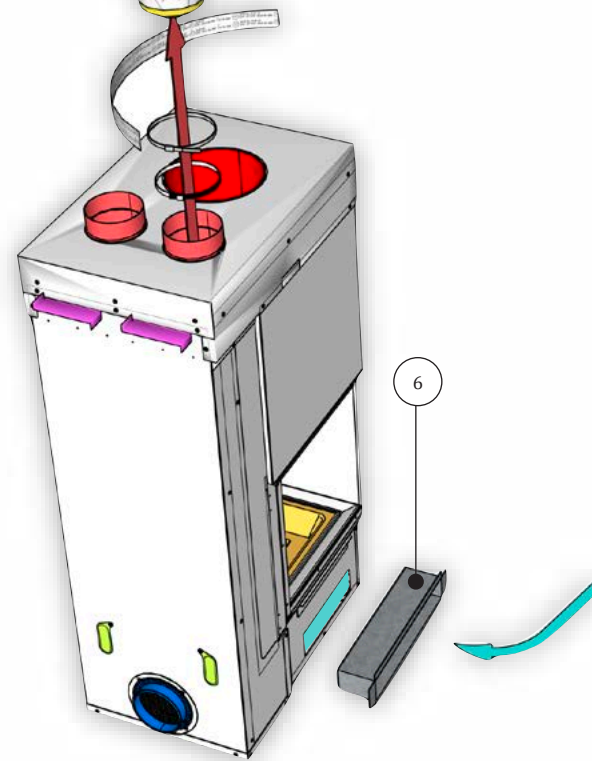
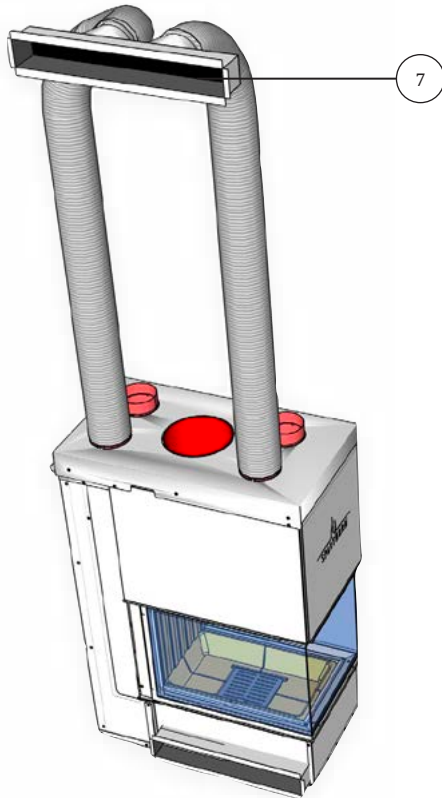
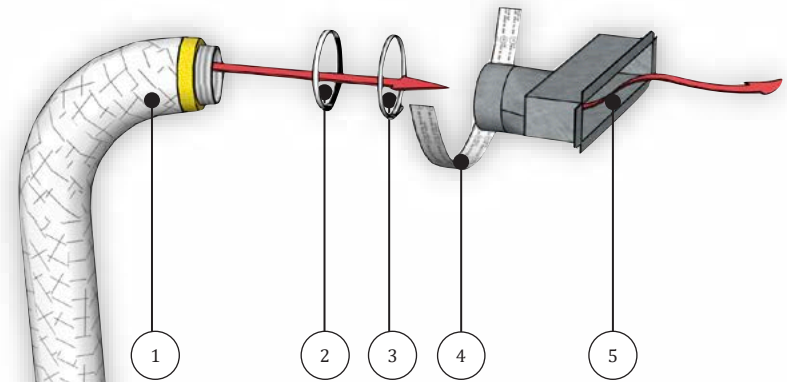


CAUTION
DAMPER MUST BE FULLY OPEN WHEN FIREPLACE IS OPERATIONAL.

NOTICE
When mounting handle through sheetrock, install a backing material for additional support of handle mechanism.

EXAMPLE OF CONVECTION PIPE INSTALLATION. NOT UNIT SPECIFIC.

1	6" round insulated flexible duct / UL181B labeled
2	metallic band clamp or UL181B labeled non metallic band clamps to secure outer cover of insulated duct
3	metallic worm-gear clamp to secure inner semi rigid duct
4	2" or wider UL181B-FX labeled foil tape
5	exhaust metallic plenum / as required
6	optional metallic intake plenum / as required
7	2 into 1 exhaust metallic plenum / as required
	stainless steel 5/16" hex head self tapping screws as required
	metallic duct supports to prevent duct bend from crush or collapse



REQUIRED CONVECTION OPENINGS IN THE CHASE.

SINGLE-SIDED	NET FEE AREA OF CONVECTION AIR INTAKE INCLUDING GRILL	CONVECTION AIR OUTLETS
Luxus 40 High	84 sq.inches or more	113.2 sq.inches or more
Luxus 40 Low	84 sq.inches or more	113.2 sq.inches or more
Luxus 26 Tall	84 sq.inches or more	113.2 sq.inches or more

SEE-THROUGH	NET FEE AREA OF CONVECTION AIR INTAKE INCLUDING GRILL	CONVECTION AIR OUTLETS
Luxus See-Thru 40	84 sq.inches or more	113.2 sq.inches or more

CORNER	NET FEE AREA OF CONVECTION AIR INTAKE INCLUDING GRILL	CONVECTION AIR OUTLETS
Luxus Corner Left 32	84 sq.inches or more	113.2 sq.inches or more
Luxus Corner Right 32	84 sq.inches or more	113.2 sq.inches or more
Luxus Corner Left 40	84 sq.inches or more	113.2 sq.inches or more
Luxus Corner Right 40	84 sq.inches or more	113.2 sq.inches or more

BAY	NET FEE AREA OF CONVECTION AIR INTAKE INCLUDING GRILL	CONVECTION AIR OUTLETS
Luxus Bay 32	84 sq.inches or more	113.2 sq.inches or more
Luxus Bay 40	84 sq.inches or more	113.2 sq.inches or more

PENINSULA	NET FEE AREA OF CONVECTION AIR INTAKE INCLUDING GRILL	CONVECTION AIR OUTLETS
Luxus Pier 28	84 sq.inches or more	113.2 sq.inches or more
Luxus Pier 36	84 sq.inches or more	113.2 sq.inches or more



AMBIANCE®

FIREPLACES | GRILLS

You may download and share this Installation Guide it as long as it is not modified

No part of this publication can be translated into another language and/or altered and/or reproduced, even partially, in another form, by mechanical or electronic means, photocopied, recorded or similar, without prior written approval from Ambiance®.

Ambiance® reserves the right to make changes to this publication at any time without prior notice and reserves its rights according to the law.