

2024/2025

Hipster®

WOOD
COLLECTION



Hipster® 20 Woodstove



AMBIANCE®

FIREPLACES | BBQ | OUTDOORS | SPAS

Hipster®

WOOD COLLECTION



Hipster® 14 Woodstove

Old is new again

The classic look of yesterday, combined with the latest engineering and technology of today, makes the Hipster® one of the best wood burning stoves available today. Best in terms of performance, best in terms of value and best in terms of appearance!

The timeless lines of cast iron, the amazing function of soapstone and the patented TruHybrid® combustion technology blend together to make the Hipster® wood burning stove incredibly efficient. The Hipster® is easy to operate and will provide hours and hours of reliable and consistent heat output.



FLEXIBLE FINANCING

Most Ambiance® Authorized Dealers offer advantageous & flexible financing solutions.

To apply online, visit united-buyers-group.com/financing-program



FEATURES

AN EXCEPTIONAL COMBUSTION

The Hipster® woodstove feature the TruHybrid® technology. The combustion is cleaner and more efficient than other EPA certified stoves. One load of hardwood will burn low and slow and produce heat for well over 20 hours.

Tertiary Combustion
Secondary Combustion
Primary Combustion



HEATING COMFORT

The Hipster® is a combination of cast iron and soapstone. Both materials are well known for their capacity to absorb and release heat for long hours. The heat is produced smoothly without spiking as much as a steel stove. The comfort it creates has no equal!



Variable Speed Heat Activated Fan



Back view with Heat Shield and Fan Option installed

Fresh air kit option



Back view

- ▶ Crystal clear tall glass.
- ▶ TruHybrid burn technology.
- ▶ Soapstone lining inside for a beautiful even heat output.
- ▶ Premium quality cast iron made in Europe.
- ▶ Made in Vermont, USA.
- ▶ Extra long burn times : up to 16 hours on the Hipster® 14 and up to 24 hours on the Hipster® 20.
- ▶ Mobile Home Approved.



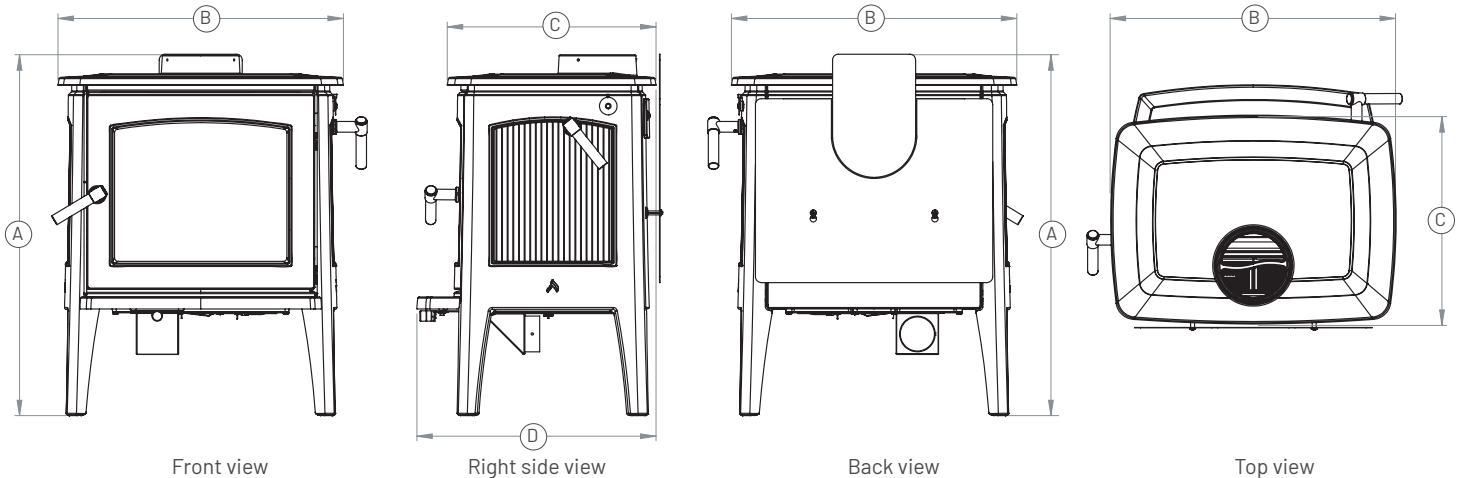
Hipster® 20 Woodstove

Hipster®



TECHNICAL SPECIFICATIONS

HIPSTER® 14 | HIPSTER® 20



	BTU		FIREBOX		CLEARANCES TO COMBUSTIBLE						EFFICIENCIES			VENTING	
	Cordwood	EPA	Cu. Ft	Log Length	Double Wall Pipe			Single Wall Pipe			g / hr	Optimal %	HHV	Type	Diameter
14	40,000	31.581	1.54	17"	Back	Sides	Corner	Back	Sides	Corner	1.07 g	82 %	79 %	Class A	6-inch
20	60,000	33.576	2.2	19"	5"*	13"	7"	11"	13"	7"	0.6 g	82 %	79 %	Class A	6-inch

	GLASS			DIMENSIONS			OPTIONAL BLOWER	
	Type	Dimensions	Area sq in	Height (A)	Depth (C) / (D)	Width (B)	Type	CFM
14	Ceramic	14.5" W X 11.7" H	170	30.38"	17.63 / 20.13"	24"	Variable speed and heat activated	150
20	Ceramic	17.7" W X 12.37" H	219	31.63"	19.6 / 22.13"	26.75"	Variable speed and heat activated	150

*Requires blower and heat shield.

WHY CHOOSE AMBIANCE®?

Ambiance® transforms a house into a home!

Ambiance® products will add elegance, peace of mind and comfort to the Soul of your home. All Ambiance® products are carefully selected and designed with your family in mind, to enrich the areas of your home where memories and life take place. The best quality and innovation are shown in the enhanced details and features that add a little «je ne sais quoi» in our Ambiance® designs.

Who are our designers? They are a network of over 300 Hearth & BBQ authorized members from coast to coast covering both Canada and USA. From Alaska to Québec and from Florida to California, they know what it takes to warm up your life and use their real-world experience to design quality and innovative products for your home.

Who can sell the Ambiance® products? Only our selected authorized dealers who are local professionals and who understand your local codes and standards.

A house needs a sense of Ambiance® to transform into a home.

*Ambiance®
the Soul of your home*

