

2024/2025

Elegance®

WOOD
COLLECTION



Elegance® 42 See-Thru with clean face surround, Ambiance® Lavarock stacked stones and 5-foot Golden Live Edge Ambiance® non-combustible mantel.



AMBIANCE®

FIREPLACES | BBQ | OUTDOORS | SPAS

Elegance®

WOOD COLLECTION



Arched Clean Face Elegance®40 fireplace with Snow Drift quartz stone wall

The Elegance® Series of wood burning fireplaces by Ambiance® is an outstanding combination of innovative technology and modern personalized aesthetics. They are backed up by the best warranty in the industry.

All four models in the Elegance® Collection, the 36, 40, 42 & the 42 See-Thru models are lined with soapstone and include a patented primary air control system, which means better heat retention, slower burn rate and steady, consistent heat over a longer period. You'll enjoy more heat from less wood!

United Buyers
GROUP 

FLEXIBLE FINANCING

Most Ambiance® Authorized Dealers offer advantageous & flexible financing solutions.

To apply online, visit
united-buyers-group.com/financing-program



FEATURES

AN EXCEPTIONAL FIRE

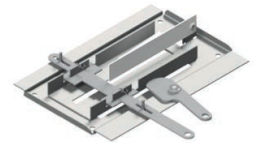
The Elegance® series offers an exclusive combination of aesthetics and technology with its four models that now include the first EPA certified see-through fireplace in the world! The Elegance® fireplaces are lined with Soapstone which has no equal for heat management. It absorbs 15 % more heat than firebrick and radiates heat 5 times more than firebrick. This increased efficiency is also the most beautiful to look at inside the firebox. It feels and looks rich!

HEATING COMFORT

The Elegance® series features a unique patented air control system. This is an important detail when it comes to a wood fireplace. It allows you to slow down the fire to as low as 0.8kg per hour. It will extend burntime and generate heat at a more even rate. When choosing a wood fireplace, make sure it truly has this type of control over the fire!

Watch how it works:

www.ambiancefireplaces.com/wood-fireplaces



The Elegance® series provides heat generously!
You may want to take advantage of it by sending heat to other parts of your home.

Option 1



Use the Hot Air Gravity Kit. This option works without electricity. Hot air will rise naturally and disperse the heat to a room close by. This option is required for a 'clean face' application.

Option 2



Forced Air Kit: This heatactivated fan will force the heat to travel further away from the fireplace. It can even be directed to the basement. This option is more efficient but requires electricity.



STANDARD FRONTS

All offered in Metallic Black only. Elegance®30 fireplaces are only offered with rectangular fronts.



Arched Clean Face



Rectangular Clean Face



Arched Louvered



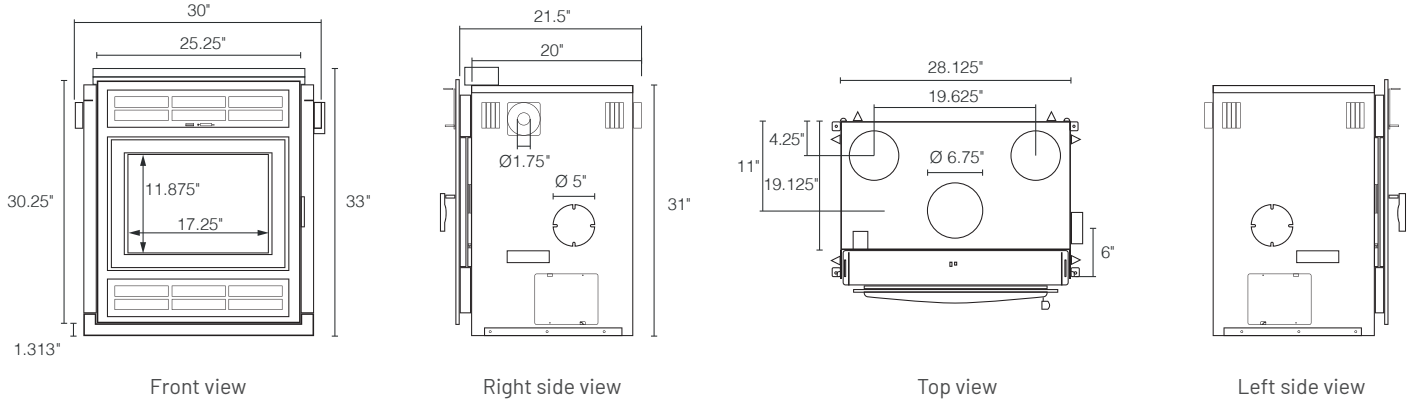
Rectangular Louvered

Elegance®



TECHNICAL SPECIFICATIONS

ELEGANCE® 30

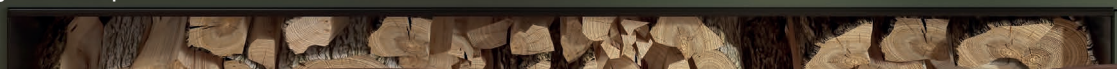


BTU		FIREBOX		EFFICIENCIES			VENTING		
Cordwood	EPA	Cu. Ft	Log Length	g / hr	Optimal %	LHV	Type	Diameter	Brands
60,000	19,821	1.79	16"	1.2 g	75 %	NA	Class A	6-inch	All

GLASS			WEIGHT	DIMENSIONS			OPTIONAL BLOWER	
Type	Dimensions	Area sq in	Lbs	Width	Depth	Height	Type	CFM
Ceramic	17.25" X 11.875"	204	280	30"	22"	33"	Variable Speed	2 x 165



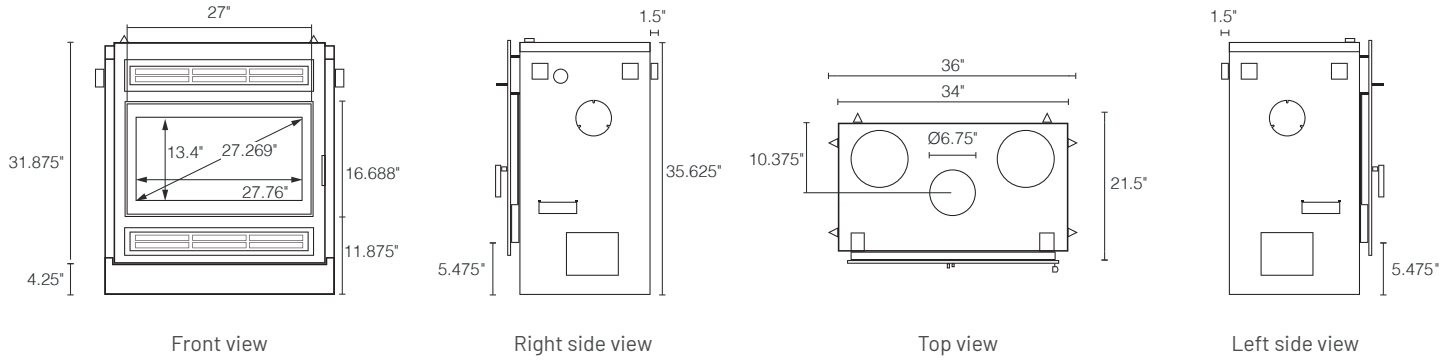
Louvered Elegance®30 fireplace





TECHNICAL SPECIFICATIONS

ÉLÉGANCE® 36



BTU		FIREBOX		EFFICIENCIES			VENTING		
Cordwood	EPA	Cu. Ft	Log Length	g / hr	Optimal %	LHV	Type	Diameter	Brands
75,000	25,944	2.4	24"	1.77 g	75 %	72.6 %	Class A	6-inch	All

GLASS			WEIGHT	DIMENSIONS			OPTIONAL BLOWER	
Type	Dimensions	Area sq in	Lbs	Width	Depth	Height	Type	CFM
Ceramic	23.75" X 13.4"	318	300	36"	21.875"	36.625"	Variable Speed	165



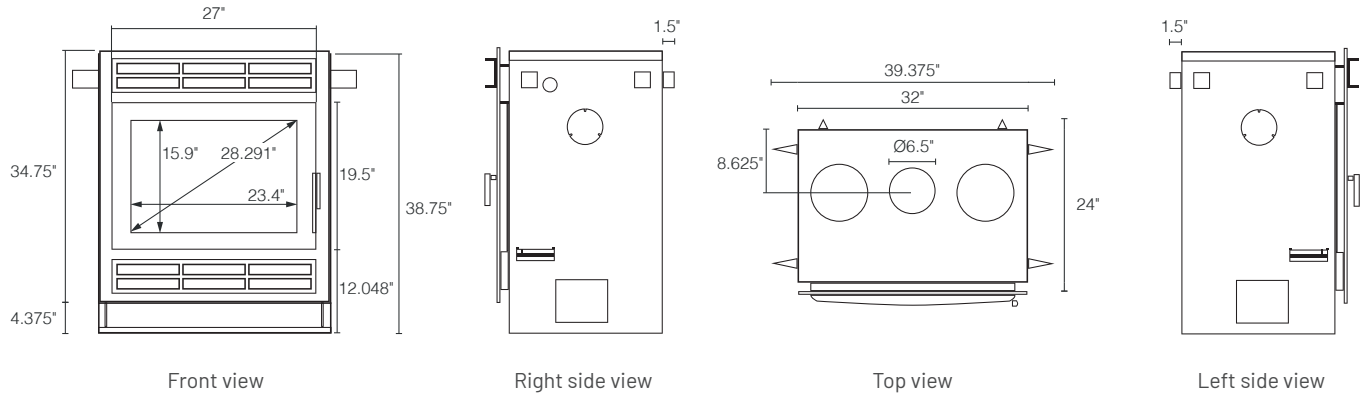
Elegance®36 with contemporary front

Elegance®



TECHNICAL SPECIFICATIONS

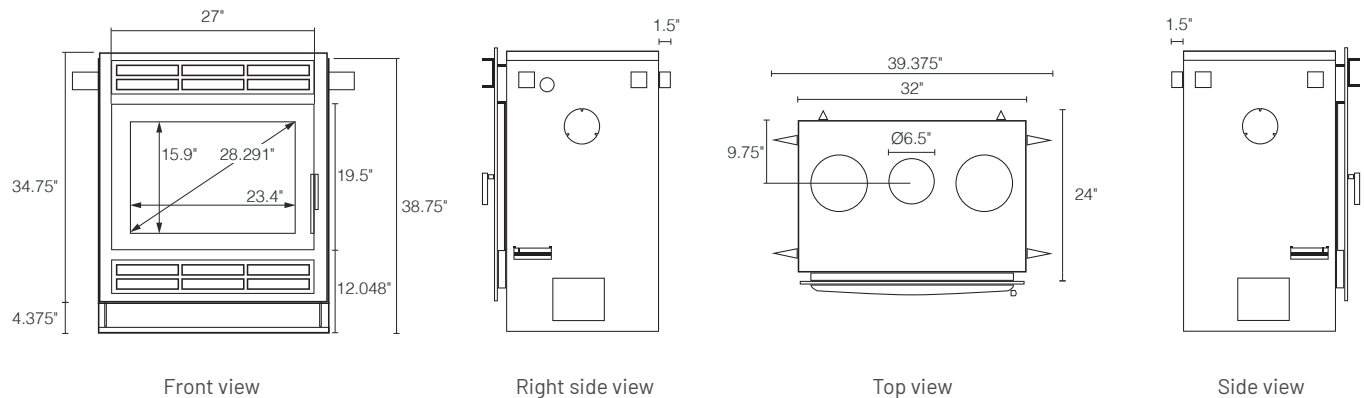
ÉLÉGANCE® 40



BTU		FIREBOX		EFFICIENCIES			VENTING		
Cordwood	EPA	Cu. Ft	Log Length	g / hr	Optimal %	LHV	Type	Diameter	Brands
90,000	29,274	3.2	20"	1.47 g	75 %	71.9 %	Class A	6-inch	All

GLASS			WEIGHT	DIMENSIONS			BLOWERS INCLUDED	
Type	Dimensions	Area sq in	Lbs	Width	Depth	Height	Type	CFM
Ceramic	23.4" X 15.9"	372	340	39.375"	24.325"	39.34"	Variable Speed	165

ÉLÉGANCE® 42



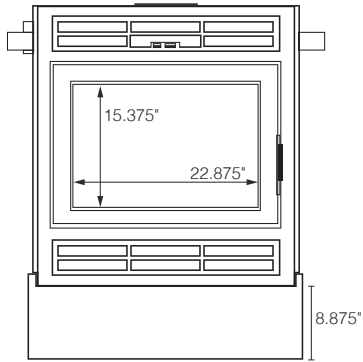
BTU		FIREBOX		EFFICIENCIES			VENTING		
Cordwood	EPA	Cu. Ft	Log Length	g / hr	Optimal %	LHV	Type	Diameter	Brands
100,000	26,354	3.8	23"	1.85 g	75 %	72.6 %	Class A	6-inch	All

GLASS			WEIGHT	DIMENSIONS			BLOWERS INCLUDED	
Type	Dimensions	Area sq in	Lbs	Width	Depth	Height	Type	CFM
Ceramic	15.9" X 23.4"	372	350	39.375"	24.375"	39.34"	Variable Speed	165

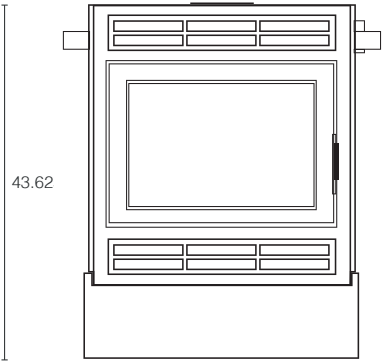


TECHNICAL SPECIFICATIONS

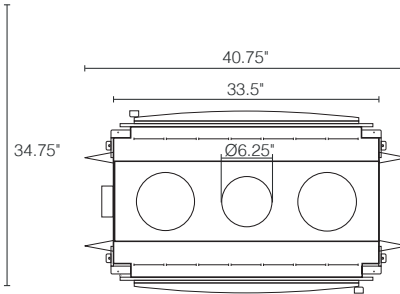
ELEGANCE® 42 SEE-THRU



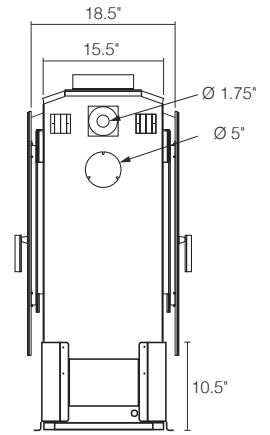
Front view



Back view



Top view



Side view

BTU		FIREBOX		EFFICIENCIES			VENTING		
Cordwood	EPA	Cu. Ft	Log Length	g / hr	Optimal %	LHV	Type	Diameter	Brands
100,000	61,231	3.8	24"	2.16 g	75 %	69.92 %	Class A	6-inch	All

GLASS		WEIGHT		DIMENSIONS			BLOWERS INCLUDED	
Type	Dimensions	Area sq in	Lbs	Width	Depth	Height	Type	CFM
Ceramic	22.875" X 15.375"	352	310	40.75"	19.5"	43.625"	Variable Speed	165



Elegance® 42 See-Thru with louvered and arched surround, Ambiance® Lavarock stacked stones and 5-foot Golden Live Edge Ambiance® non-combustible mantel.

WHY CHOOSE AMBIANCE®?

Ambiance® transforms a house into a home!

Ambiance® products will add elegance, peace of mind and comfort to the Soul of your home. All Ambiance® products are carefully selected and designed with your family in mind, to enrich the areas of your home where memories and life take place. The best quality and innovation are shown in the enhanced details and features that add a little «je ne sais quoi» in our Ambiance® designs.

Who are our designers? They are a network of over 300 Hearth & BBQ authorized members from coast to coast covering both Canada and USA. From Alaska to Québec and from Florida to California, they know what it takes to warm up your life and use their real-world experience to design quality and innovative products for your home.

Who can sell the Ambiance® products? Only our selected authorized dealers who are local professionals and who understand your local codes and standards.

A house needs a sense of Ambiance® to transform into a home.

*Ambiance®
the Soul of your home*



NON-COMBUSTIBLE MANTELS

COMPLETE THE LOOK

Non-combustible 4' to 6' fireplace mantels,* fireplace surrounds, and accessories, available in designer colors for extraordinary realism and beauty.



Visit our website to learn all about our non-combustible mantels.



WOOD FIREPLACES STANDARD FEATURES INCLUDES

- ▶ Innovative and Patented Automatic Air Control over the Fire.
- ▶ Gorgeous soapstone slabs covering the walls of the firebox.
- ▶ Arched or Rectangular looks combined to clean face or louvered applications.
- ▶ Certified and safety tested by top agencies in North America, including CSA and ANSI.
- ▶ Sold and installed by the very best network of Fireplace Stores in the country!
- ▶ Wood Fireplaces are manufactured in La Belle Province, Québec, Canada using components made in the USA, Canada, Germany and Brazil.



AMBIANCE®

FIREPLACES | BBQ | OUTDOORS | SPAS