



AMBIANCE

FIREPLACES | GRILLS

Elegance 42

Owner's Manual



Model Number: 38SF

This product is proudly developed and manufactured in North America by **SUPREME FIREPLACES INC.**

3594 Jarry East, Montreal, QC H1Z 2G4

T: 877-593-4722, F: 514-593-4424

www.supremem.com

Revised: June 2022

IMPORTANT: Keep the owner's manual for future use.

CONTENTS

- 1 SAFETY 1
- 2 GENERAL INFORMATION 2
 - 2.1 Overall Dimensions 2
 - 2.1.1 Traditional Dimensions 2
 - 2.1.2 Clean Face Dimensions 3
 - 2.2 Specifications 4
 - 2.3 Combustion Air Control 5
 - 2.4 Cold Hand Key 5
 - 2.5 Chimney Sweeping Cap 5
 - 2.6 Door 5
 - 2.7 Certification Label 6
 - 2.8 Removable Ash Lip 6
 - 2.9 SUPREME Radiation Shield Offset 6
 - 2.10 Baffle Secondary Burn Technology 6
 - 2.11 Soapstone Interior 7
 - 2.12 Blower Kit 7
 - 2.13 Optional Hot Air Kit 7
 - 2.14 Optional Fresh Air Kit 7
- 3 INSTALLATION INSTRUCTIONS 8
 - 3.1 Location 8
 - 3.2 Chimney Installation 9
 - 3.2.1 General Rules and Guidelines 9
 - 3.2.2 Listed UL 103 / ULC S629 Approved Chimney Models (Reference Table) 10
 - 3.2.3 Chimney Installation Instructions 10
 - 3.2.4 Offset Installation 11
 - 3.2.5 Angled Wall Radiation Shield 11
 - 3.2.6 Connecting to a Masonry Chimney 11
 - 3.3 Framing 13
 - 3.4 Surround Installation 14
 - 3.4.1 Traditional Surround 14
 - 3.4.2 Clean face Surround 15
 - 3.5 Gravity Kit Installation 17

3.5.1	Dual Louver Gravity Ducts.....	17
3.5.2	Single Linear Front Louver	19
3.6	Hearth Extension.....	23
3.7	Chase Installation.....	24
3.8	Clearances to Combustibles.....	25
3.9	Blower Kit.....	26
4	OPTIONS.....	28
4.1	Hot Air Kit.....	28
4.2	Fresh Air Kit	30
5	OPERATION INSTRUCTIONS.....	31
5.1	Fuel.....	31
5.2	First Fires	31
5.3	Operating the Combustion Air Control	31
5.4	Starting a High Efficiency Fire	32
5.5	Adding a New Load of Wood.....	33
5.6	Blower Kit Operation.....	33
6	TROUBLESHOOTING	34
6.1	Backdraft / Smoking	34
6.2	Over Firing	34
7	MAINTENANCE	35
7.1	Disposal of Ashes.....	35
7.2	Chimney Maintenance.....	35
7.3	Cleaning of Glass.....	36
7.4	Replacing a Soapstone Panel	36
7.5	Replacing the Door Gasket.....	36
7.6	Replacing the Glass Panel	37
7.7	Door Latch Maintenance	38
7.8	Paint.....	38
8	PARTS LIST.....	39
9	CERTIFICATION LABEL.....	40
10	WARRANTY.....	41

1 SAFETY

SUPREME FIREPLACES INC. congratulates you on purchasing an Elegance 42 wood burning fireplace. This manual describes the installation and operation of the Elegance 42 non-catalytic wood heater. This heater meets the 2020 U.S. Environmental Protection Agency's crib wood emission limits for wood heaters sold after May 15, 2015. Under specific test conditions this heater has been shown to deliver heat at rates ranging from 11,704 to 26,354 Btu/hr. In addition, this fireplace complies with the ULC-S610 and UL-127 standards.

SAFETY NOTICE: Carefully read this manual before installation and operation of this fireplace. A house fire may result if not properly installed. To reduce the risk of a fire, follow the installation instructions. Failure to follow instructions presented in this manual can lead to property damage, bodily injury or even death. Alterations or modifications made on the unit or the installation is strictly forbidden as it may predispose the user to hazardous risks. Contact your local building or fire officials for restrictions and installation inspection requirements in your area and the need to obtain a permit.

WARNING: This unit is hot during operation; keep children, pets, flammable liquids, or combustible materials at a safe distance. Ensure that all clearances to combustible materials are respected. Contact with the unit during operation may cause severe harm. Install a safety screen to keep children and pets away.

CAUTION:

- Do not connect this unit to a chimney flue serving another appliance.
- Do not connect to any air distribution duct or system.
- Never use chemicals to ignite the fire.
- Never burn waste or flammable fluids (such as gasoline, naphtha, or engine oil).
- Only burn dry natural cordwood.
- Never leave the unit unattended with the door open or unlatched.
- Only refuel this unit when the wood is reduced to embers.
- Always keep the door closed during operation.
- Do not operate this unit with a fireplace grate.
- Do not install an unvented gas log set into the firebox.
- Do not install this unit in a mobile home.
- Do not clean or service the unit while it is hot.
- Allow proper air flow by keeping the louvers/openings clear of any obstructions.
- Do not use this unit while the home is under construction or being obstructed.

Note: Failure to respect the above cautions may cause damages to the unit, damages to personal property, bodily harm and will void the warranty. "This wood heater needs periodic inspection and repair for proper operation. It is against federal regulations to operate this wood heater in a manner inconsistent with operating instructions in this manual."



This product can expose you to chemicals including carbon monoxide, which is known to the State of California to cause cancer, birth defects or other reproductive harm. For more information go to www.P65warnings.ca.gov/

2 GENERAL INFORMATION

2.1 Overall Dimensions

2.1.1 Traditional Dimensions

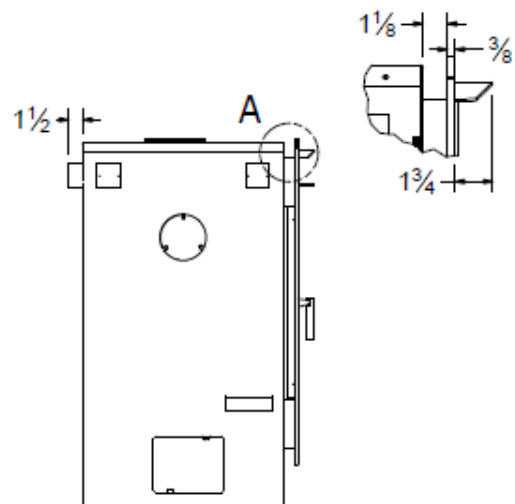
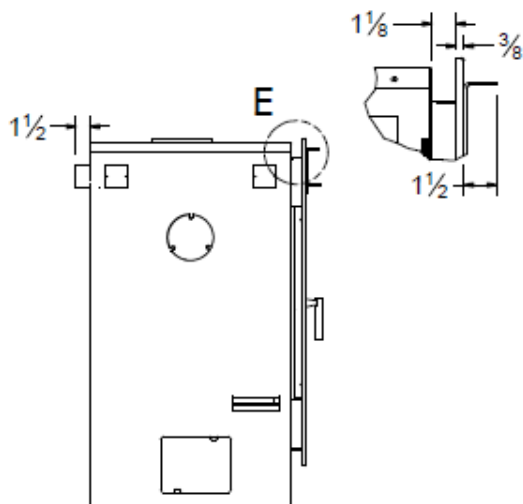
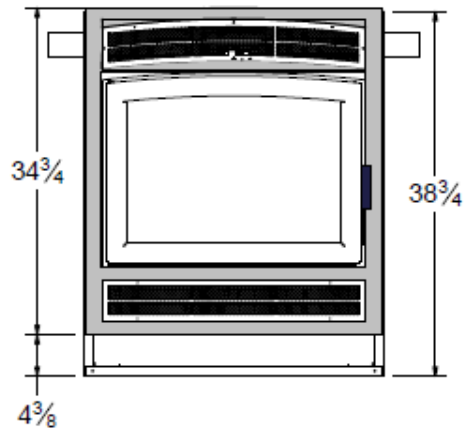
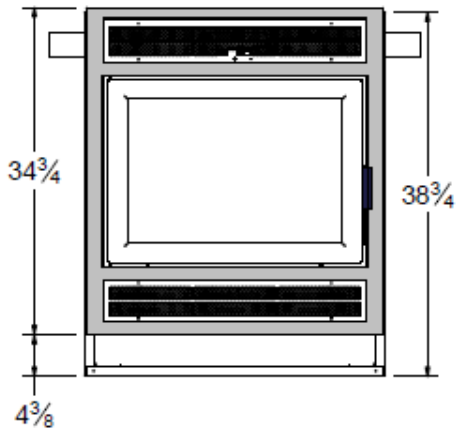
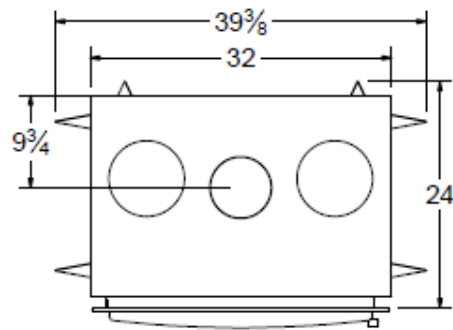
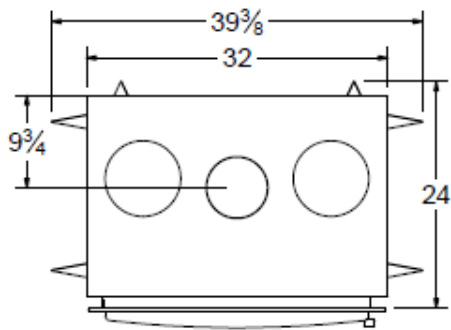


Figure 2-1: Elegance 42 Traditional Rectangular Dimensions

Figure 2-2: Elegance 42 Traditional Arched Dimensions

2.1.2 Clean Face Dimensions

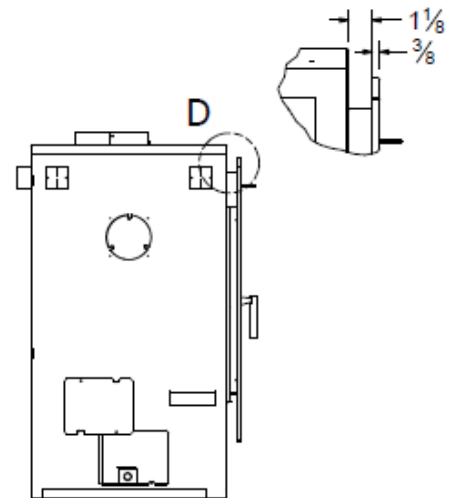
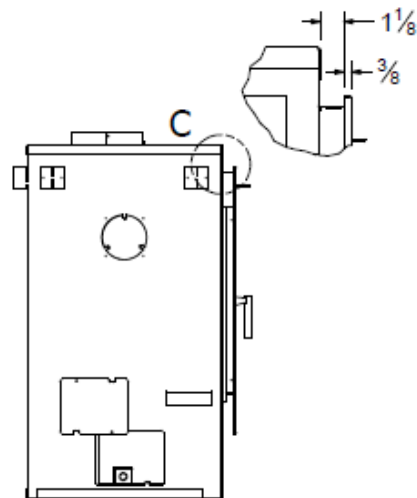
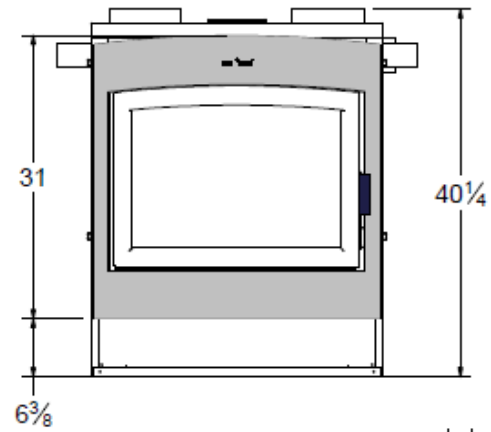
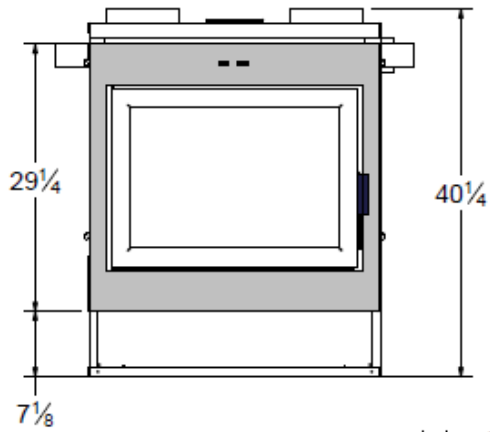
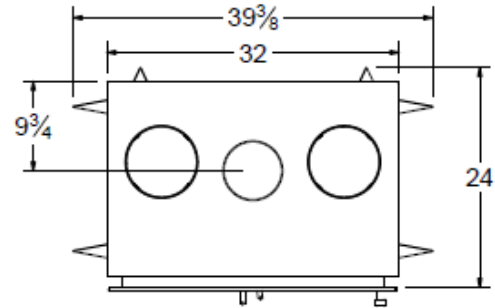
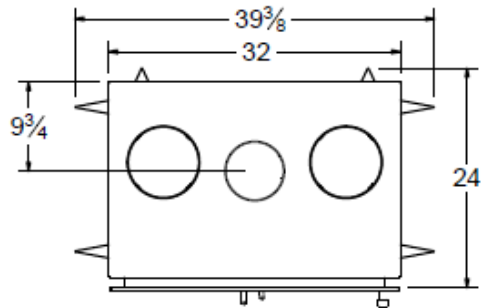


Figure 2-3: Elegance 42 Clean Face Rectangular Dimensions

Figure 2-4: Elegance 42 Clean Face Arched Dimensions

2.2 Specifications

Appliance Type:	Adjustable Burn Rate Wood Heater – Non-Catalytic
Fuel Type:	Dry Cordwood
Maximum Log Length:	24 in (6.09 cm)
Burn Time ¹ :	6 to 12 hrs
Firebox Volume:	3.8 ft ³ (0.11 m ³)
Heating Area:	1,000 to 2,500 ft ² (93 to 232 m ²)
Average Particulate Emissions Rate ² :	1.85 g/hr
Average CO Emissions Rate ³ :	2.09 g/min
EPA Protocol:	Method 28R, ASTM2780-10, and ASTM2515-11
Efficiency (Crib Wood):	HHV ⁴ : 67.83% LHV ⁵ : 72.9%
Heat Output (Crib Wood):	11,704 to 26,354 BTU/hr (3,431 to 7,724 W)
Optimum Efficiency:	75%
Optimum Heat Output:	125,000 BTU (36.6 kWh)
Efficiency Protocol:	CSA B415.1-10

WARRANTY REGISTRATION

Please register your SUPREME product online at <http://www.supremem.com/warranty.php> to ensure full warranty coverage. Proof of purchase is required for all warranty claims.

¹ Depending on combustion air control setting (see Section 5.3 for further details).

² Officially tested and certified by an independent laboratory.

³ Note that rate is smaller for low to medium/low burn rates.

⁴ Higher Heating Value.

⁵ Lower Heating Value.

2.3 Combustion Air Control

The Combustion Air Control is a patented mechanism (Patent No: US 7,325,541 B2) that regulates the air flow into the firebox based on the temperature of the unit. It is located on the top of the firebox, at the front center of the unit. The combustion air control of the Elegance 42 has two components: the Activator and the Burn Rate Selector (see Figure 2-5). The left combustion control lever is the Activator. When starting a fire or adding a new load of wood, the Activator must be pushed in to allow a primary source of air to enter the firebox. The Activator will retract automatically with heat. The right combustion control lever is the Burn Rate Selector. The Burn Rate Selector can slide sideways to achieve different burn rates. When the Burn Rate Selector is positioned to the left, a maximum burn rate is achieved and when it is positioned to the right, a minimum burn rate is set.

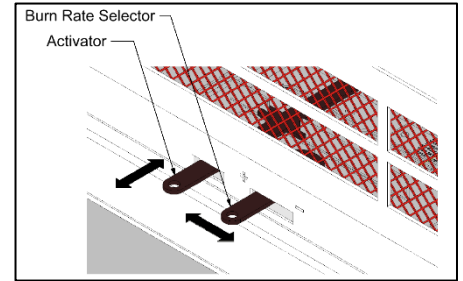


Figure 2-5: Combustion Air Control's Activator and Burn Rate Selector

WARNING: Never manipulate the Combustion Air Control with bare hands as it gets hot when the Elegance 42 is in operation. Use the Cold Hand Key (see Section 2.4) to adjust the Combustion Air Control.

2.4 Cold Hand Key

The Cold Hand Key is an accessory that comes standard with the Elegance 42 fireplace (Figure 2-6). The Cold Hand Key is a tool used to manipulate the Combustion Air Control Levers when they are hot.



Figure 2-6: Cold Hand Key

2.5 Chimney Sweeping Cap

The chimney sweeping cap found at the baffle of the Elegance 42 allows easy access for chimney sweeping without having to remove any components of the firebox (Figure 2-7).

WARNING: The chimney sweeping cap should be blocking the access to the chimney at all times during combustion. A chimney sweeping cap that is not blocking the baffle hole during combustion is a safety hazard, will overheat the fireplace and void the warranty.

2.6 Door

The Elegance 42 wood burning fireplace comes with a Pyroceramic glass panel door. Pyroceramic is the highest grade available for fireplaces and stoves and can withstand temperatures up to 1300°F. To remove the door, open the door, lift it and pull it towards the bottom until the rod exits from the hinge holes.

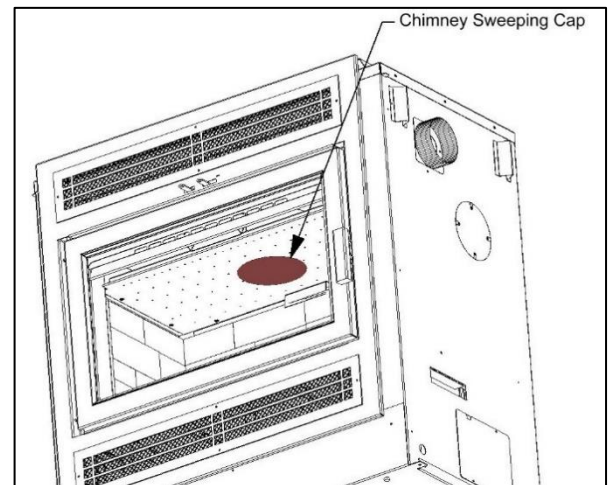


Figure 2-7: Chimney Sweeping Cap

2.7 Certification Label

The certification label contains important information regarding the installation and operation of the Elegance 42 fireplace. In addition, the serial number of the unit is permanently embossed onto the top right corner. See Figure 2-8 for the location of the certification label.

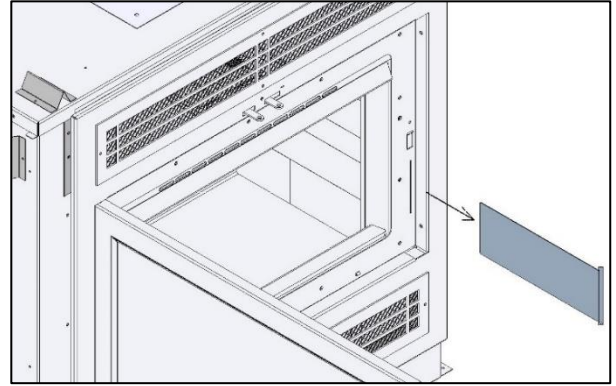


Figure 2-8: Location of Certification Label with Product Serial Number

2.8 Removable Ash Lip

The Ash Lip is a removable accessory that comes standard with the Elegance 42 fireplace (Figure 2-9). It is installed on the door holder (under the two small angled tags below the door) and prevents ashes from falling onto the front of the hearth. The Ash Lip can be installed with the door open or closed. It is safe to operate the unit without the Ash Lip.

NOTE: The door of the Elegance 42 must remain closed at all times during operation.

2.9 SUPREME Radiation Shield Offset

The SUPREME Radiation Shield Offset is a standard component for the Elegance 42 fireplace (Figure 2-10). Prior to installing the chimney manufacturer's radiation shield, the SUPREME Radiation Shield Offset is fastened below the chimney opening within the chase, with the flanges along the component providing a 1/2" offset.

2.10 Baffle Secondary Burn Technology

An innovative baffle design comprises of carefully engineered perforations that allow the introduction of secondary air to increase the efficiency and heat output while offering an uncompromising view of the fire (Figure 2-11).

CAUTION: It is not recommended to remove the baffle. If the baffle needs to be removed, please contact SUPREME FIREPLACES INC. beforehand.

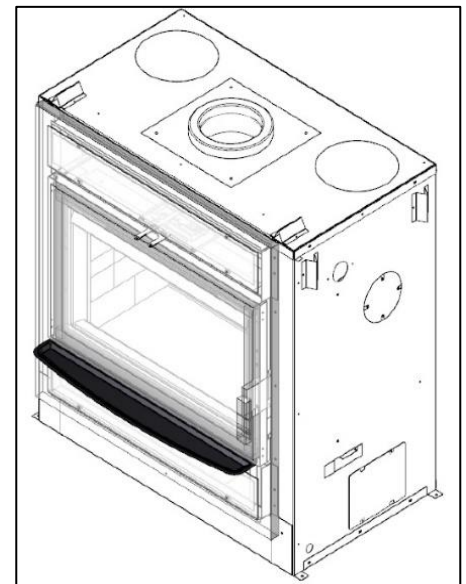


Figure 2-9: Removable Ash Lip

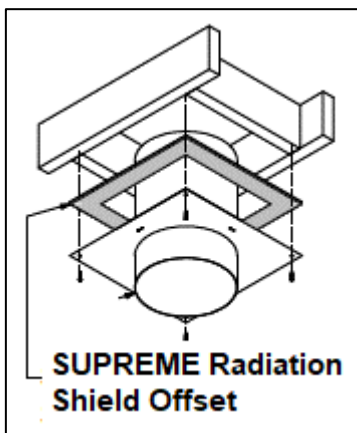


Figure 2-10: SUPREME Radiation Shield Offset

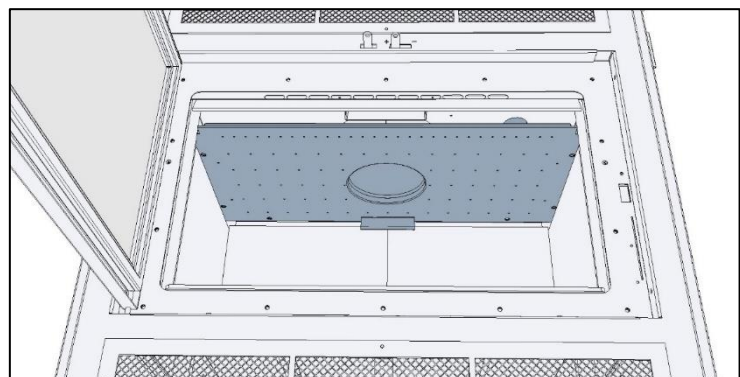


Figure 2-11: Baffle Secondary Burn Technology

2.11 Soapstone Interior

The Elegance 42 is lined with 1.25 inch thick soapstone slabs. Soapstone offers unparalleled advantages in a fireplace beyond its natural aesthetics: it radiates five times more heat and absorbs 15% more heat when compared to firebrick.

2.12 Blower Kit

A dual AC tangential blower (electrical rating: 115V, 60Hz, and 56W) with a variable speed control is installed into the Elegance 42 wood burning fireplace to maximize efficiency. Refer to Section 3.9 for installation instructions.

WARNING: Make certain that the fireplace is not in operation and the blowers are unplugged (breaker off) before accessing the electrical wiring of the blower kit.

CAUTION: Only a blower provided by SUPREME FIREPLACES INC. can be installed into the fireplace. Substituting the blower kit may result in overheating, will void the warranty and can be hazardous.

2.13 Optional Hot Air Kit

The Optional Hot Air Kit (kit number SU250) allows heat to be drawn from the unit by a thermostatically controlled blower (electrical rating: 115 V and 60 Hz) and dispersed to different areas of the house. This option is recommended when the fireplace is installed in an area below the maximum heating space. A total of three kits can be installed onto one unit with a maximum distance of 25 feet each. Note that a 5 inch insulated duct (part number UCAC5) is required for the installation (item ordered separately). Refer to Section 4.1 for installation instructions.

WARNING: Make certain that the fireplace is not in operation and that hot air blower is not powered (breaker off) before accessing the electrical wiring of the hot air kit.

CAUTION: Only a hot air kit provided by SUPREME FIREPLACES INC. can be installed onto the fireplace. Substituting the hot air kit may result in overheating, will void the warranty and can be hazardous.

2.14 Optional Fresh Air Kit

The Optional Fresh Air Kit (kit number UPEA4) allows for exterior air (outdoors) to be drawn into the fireplace during operation of the unit. Note that a 4 inch insulated duct is required for the installation (item ordered separately). Refer to Section 4.2 for installation instructions. Contact your local building official regarding mandatory fresh air kit installations within your area.

CAUTION: Only a fresh air kit provided by SUPREME FIREPLACES INC. can be installed onto the fireplace. Substituting the fresh air kit may result in overheating and will void the warranty.

3 INSTALLATION INSTRUCTIONS

Before installing the unit, consult an authority having jurisdiction (such as your municipal building department, your fire department, your fire prevention department...) for any local codes and whether a permit is required. In the absence of local codes, refer to the CSA B365 Installation Code for Solid Burning Appliances and Equipment (Canada) or the ANSI NFPA 211 Standard for Chimneys, Fireplaces, Vents and Solid Fuel-Burning Appliances (USA).

CAUTION: Modifications/alterations to the unit/installation without written authorization from SUPREME FIREPLACES INC. are strictly forbidden and will void the warranty. Refer to Section 1 for further safety information. Carefully read the instructions below before installing your Elegance 42.

3.1 Location

Determine the location of the Elegance 42 by taking into consideration the following criteria:

- The size of the room with respect to the heat output of the fireplace.
- The proximity of windows, doors, and traffic flow.
- The necessary amount of space in front of the unit for the hearth extension and mantel (Refer to Sections 3.6 and 3.8).
- The clearances to combustible materials.
- The passage of the chimney.

If possible, select a location for the fireplace that will minimize the number of offsets in the chimney course. Offsets will reduce the draft, complicate the chimney sweeper's work, and increase installation costs. Do not install an offset directly onto the unit/anchor plate. Technical drawings outlining the chimney route should be prepared prior to the installation. NOTE: The cutting of joists and rafters for floor, ceiling, and roof chimney penetrations will affect the load bearing capacities of the dwelling structure. To determine whether additional support is required, consult your local building codes. Improper cutting of chimney openings in the attic and roof will affect the bearing and thermal insulating capacity, as well as the weather tightness of the dwelling. Avoid incorrect workmanship by consulting a professional engineer or a certified installer.

Through examination of the floor construction, ensure that the fireplace and chimney system is resting on a surface capable of withstanding its weight. Consult your building codes to see whether additional structural supports are required (applicable for rare and isolated cases).

Avoid having the chimney outlet near any obstructions (such as trees and roof offsets) as the draft of the chimney may be affected by wind turbulence. Ideally position the outlet of the chimney at the highest area of the roof.

NOTE: It is strongly recommended to install a carbon monoxide (CO) and smoke detector near the location of the unit.

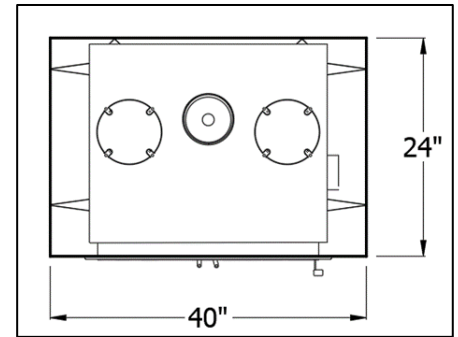


Figure 3-1: Straight Wall Installation

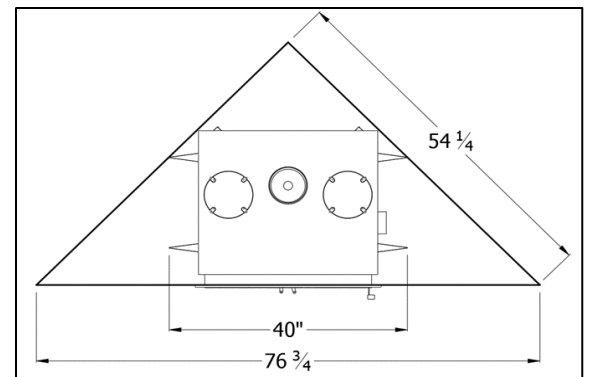


Figure 3-2: Corner Installation

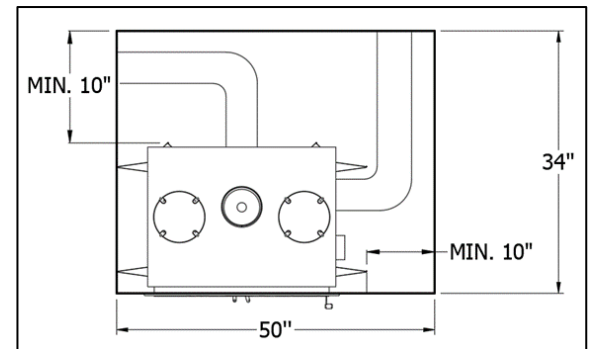


Figure 3-3: Space Required for Forced Hot Air System Installations

Refer to Sections 4.1 and 4.2

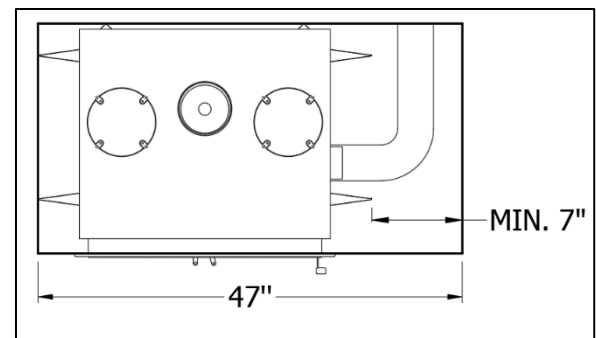


Figure 3-4: Space Required for Fresh Air Kit Installations

Refer to Sections 4.1 and 4.2

3.2 Chimney Installation

The Elegance 42 is approved with a 6" chimney that is listed under the UL 103 / ULC S629 standards (refer to Table 3-1). **WARNING: Mixing chimney components from different brands is a safety hazard and will void the warranty on the unit.** When connecting the unit to an existing chimney, thoroughly inspect the condition of the chimney and that the installation conforms to the requirements of the chimney manufacturer and the building codes. **Note that to avoid any unnecessary risk, it is often recommended to replace the chimney system.** Always respect the clearances to combustibles from the chimney manufacturers; a minimum clearance of 2 inches is usually required for prefabricated chimneys.

3.2.1 General Rules and Guidelines

1. Carefully read the instructions from the chimney manufacturer prior to installation (manuals can be obtained from the chimney manufacturer's website or from the vendor). Unless specified, follow the chimney manufacturer's instructions for proper installation.
2. For optimal performance of the unit, it is recommended to install the chimney system in an interior setting. To prevent drafting issues and creosote buildups, avoid exterior installations of the chimney system in regions that experience extreme cold conditions.
3. The minimum and the maximum height of the chimney from the base of the unit are 15 and 35 feet respectively.
4. A minimum length of 12 inches of straight chimney is required from the top of the unit before having an offset.
5. Only chimneys approved under the UL 103 / ULC S629 standards can be installed onto the unit (refer to Table 3-1 in Section 3.2.2).
6. A 6 inch anchor plate is required to connect the fireplace to the chimney system. The anchor plate can be secured onto the unit with 4 self-tapping screws.
7. The chimney installed onto the unit cannot be connected to another appliance.
8. Enclose any portion of the chimney that extends to accessible spaces.
9. The clearance of the chimney to any combustible material cannot be less than 2 inches; the 2 inch clearance cannot be filled with insulation or any non-combustible material.
10. At least one support is to be incorporated in any chimney installation.
11. A firestop is required in the joists/frames where the chimney goes through (ceilings, floors, walls, and attic).
12. A vented flashing is required, unless otherwise specified by the chimney manufacturer, as well as a roof radiation shield in the installation of the Elegance 42.
13. To prevent drafting issues, avoid deviations wherever possible.
14. The chimney shall extend at least 3 feet above its point of contact with the roof and at least 2 feet higher than any wall, roof, or adjacent building within a 10 foot radius.
15. A secure brace is to be installed if the chimney extends a minimum of 5 feet above the contact point with the roof.
16. A rain cap must be installed on top of the chimney to avoid internal damage and/or corrosion.
17. Consult the chimney manufacturer for clearances to combustibles when installing a combustible chimney enclosure above the roof.

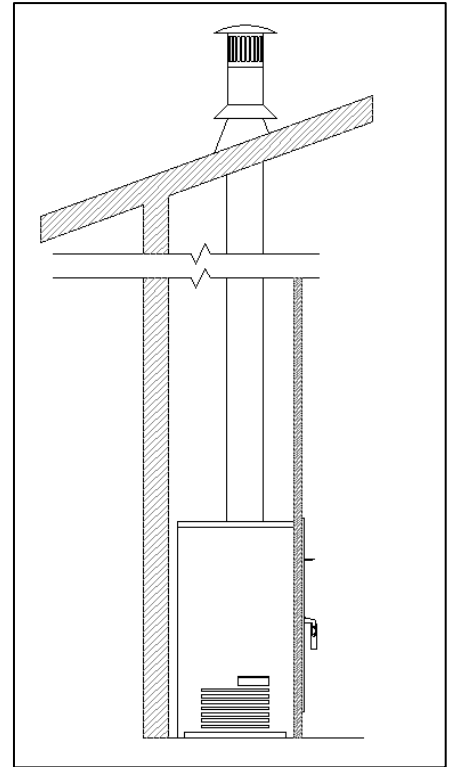


Figure 3-5: Straight Interior Installation

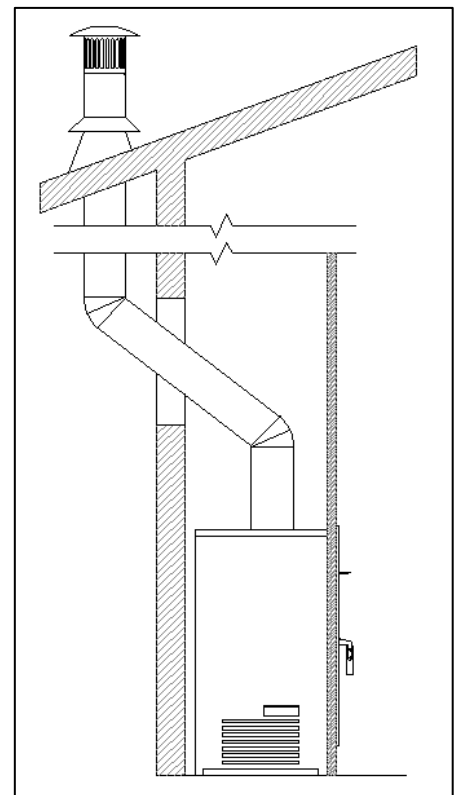


Figure 3-6: Exterior Installation

3.2.2 Listed UL 103 / ULC S629 Approved Chimney Models (Reference Table)

Note that only chimney models listed in Table 3-1 can be installed for the Elegance 42.

Table 3-1: List of Approved Chimney Models

<u>Manufacturer</u>	<u>Models</u>
American Metal	<ul style="list-style-type: none"> • HS, AC Triple Wall, 6" inner diameter • HSS, AC Triple Wall, 6" inner diameter
FMI (US only)	<ul style="list-style-type: none"> • AC, AC Triple Wall, 6" inner diameter
ICC	<ul style="list-style-type: none"> • Excel 2100, 1" Solid Pack, 6" inner diameter
Metal Fab	<ul style="list-style-type: none"> • Temp Guard, 1" Solid Pack, 6" inner diameter
Olympia Chimney	<ul style="list-style-type: none"> • Ventis, 1" Solid Pack, 6" inner diameter
Security Chimney	<ul style="list-style-type: none"> • ASHT+, 1" Solid Pack, 6" inner diameter • S-2100+, 2" Solid Pack, 6" inner diameter
Selkirk	<ul style="list-style-type: none"> • Super Pro (SPR), 1" Solid Pack, 6" inner diameter • Super Pro 2100 (ALT), 2" Solid Pack, 6" inner diameter • Hart & Cooley (TLC), 1" Solid Pack, 6" inner diameter • Sure-Temp (ST), 1" Solid Pack, 6" inner diameter • Super Vent (JSC), 1" Solid Pack, 6" inner diameter • Super Vent 2100 (JM), 2" Solid Pack, 6" inner diameter • Ultra-Temp (UT), 1" Solid Pack, 6" inner diameter • UltimateOne, 1" Solid Pack, 6" inner diameter • CF Sentinel (CF), 2" Solid Pack, 6" inner diameter
DuraVent (US Only)	<ul style="list-style-type: none"> • DuraTech (DT), 1" Solid Pack, 6" inner diameter • DuraPlus (DP), AC Triple Wall, 6" inner diameter
DuraVent	<ul style="list-style-type: none"> • DuraTech Canada (DTC), 1" Solid Pack, 6" inner diameter • DuraTech Premium (DTP), 2" Solid Pack, 6" inner diameter • DuraPlus HTC, 2" Solid Pack, 6" inner diameter

3.2.3 Chimney Installation Instructions

1. Cut and frame square openings in the floors, ceilings, and roof where the chimney will pass through while taking into consideration the minimum clearance to combustibles.
2. For an installation with the chimney running through the ceiling, install the SUPREME Radiation Shield Offset below the chimney opening prior to installing the radiation shield (refer to Figures 2-10 and 3-7).
3. In the ceiling/floor openings, install a chimney manufacturer's firestop from below. Install the chimney manufacturer's attic radiation shield from above in the chimney opening to the attic. Install the chimney manufacturer's roof radiation shield in the opening of the roof – adjust the shield so that it is extruding approximately 1" above the roof surface. Ensure to install the appropriate firestop for ceilings and walls.
4. Install the chimney manufacturer's anchor plate onto the unit.
5. Install the chimney lengths according to the manufacturer's instructions and ensure proper fastening/locking of the joints.
6. Install the roof support once the desired height has been reached.
7. Position the vented roof flashing. Note that for sloping roofs, position the upper portion of the vented flashing under the shingles and position the lower portion of the vented flashing above the shingles. Seal the joint between the roof and the vented flashing with roofing cement or silicone. Secure the vented flashing to the roof with roofing nails.
8. Install the storm collar over the vented flashing by tightening the supplied bolt or through the flange mechanism (depends on chimney brand). Seal the joint between the storm collar and the chimney using a silicone caulking. **WARNING: Do not seal, caulk, or obstruct the ventilation openings.**
9. Install the chimney rain cap.

Refer to Figures 3-5 and 3-6 for typical chimney installations.

3.2.4 Offset Installation

An offset installation (Figure 3-7) consists of the use of elbows to deviate from unavoidable obstacles or to extend the chimney outside. The following list is a few general rules to take note when installing offsets:

- A maximum of 2 offsets (2 elbows per offset) is permitted per installation.
- A minimum length of 12 inches of straight chimney is required from the top of the unit before having an offset.
- The maximum deviation is 45° in Canada and 30° in the US.
- Secure the elbows and the chimney components according to the instructions from the chimney manufacturer.
- A support strap, a wall support, or a roof support must be installed above each offset to allow adequate support to the vertical chimney lengths.
- **Never install an elbow in an opening of a floor, wall, ceiling, or roof.** In addition, only vertical chimney sections can be installed within ceiling/floor openings.
- A minimum length of 12 inches of straight chimney is required from the top of the unit before having an offset.
- Install a support for the first 15 feet of chimney.

The following are instructions for offset installations:

1. Rotate the elbow in the required direction and secure it to the adjacent chimney section according to the chimney manufacturer's instructions.
2. Follow the chimney manufacturer's instructions to install the chimney length(s) necessary for the offset.
3. Once the desired offset length has been achieved, install the second elbow to redirect the venting to the vertical position.
4. Cut an opening in the floor/ceiling to allow the chimney to pass through.
5. Install the appropriate firestop.

CAUTION: For offset installations, always install a vented flashing and a roof firestop unless otherwise specified by the chimney manufacturer. Never install an elbow directly onto the unit.

3.2.5 Angled Wall Radiation Shield

For chimney installations requiring to pass through a combustible wall at a 30° (Canada) or 45° (Canada and US) angle, an angled firestop or an angled wall radiation shield from the chimney manufacturer must be installed within the wall opening. Install the angled firestop and angled wall radiation shield according to the manufacturer's instructions. It is recommended to use an insulated angled wall radiation shield in areas that experience cold climates.

3.2.6 Connecting to a Masonry Chimney

The Elegance 42 fireplace can be connected to a masonry chimney that complies with current national and municipal building codes. A 6 inch chimney liner that complies with ULC S635 M2000 (Canada) or UL 1777 (US) standards must be installed within the existing masonry chimney. Note that the 6CON connector (manufactured by SUPREME FIREPLACES INC.) must be installed to connect the prefabricated chimney to the liner (6CON sold separately), unless otherwise specified by the manufacturer of the prefabricated chimney being used. Refer to figure 3-8.

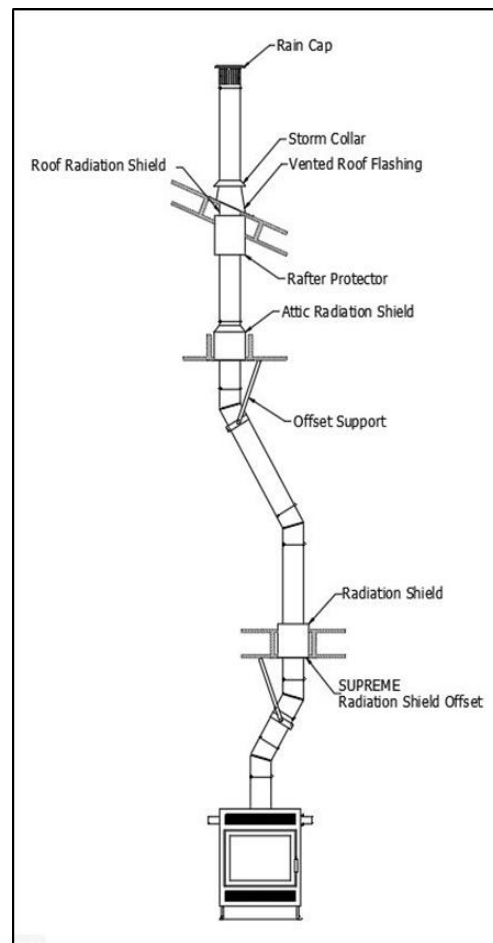


Figure 3-7: Offset Installation

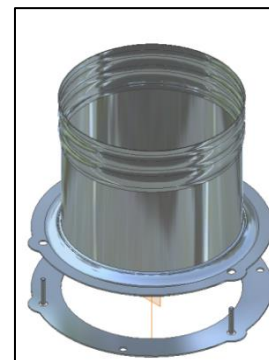


Figure 3-8: 6CON Liner Connector

Note that prior to installation, an inspection from an authority having jurisdiction is required to determine whether the masonry chimney:

- Is constructed in accordance with national and municipal building codes.
- Is in good condition. Note that repairs must be performed on any cracked or missing bricks.
- Is thoroughly cleaned of any soot or creosote.
- Is not connected to another appliance such as a furnace, hot water heater, or another fireplace.
- Has a flue of adequate size for proper installation of the venting.
- Respects minimum clearances to combustibles.

It is recommended to position the fireplace as close as possible to the masonry chimney to ensure proper venting. The prefabricated chimney must penetrate at least 3 inches within the masonry chimney before connecting the liner. Elbows can be used within the masonry chimney, with a maximum deviation of 30° in the United States and 45° in Canada. **Note: A minimum length of 12 inches of straight chimney is required from the top of the unit before having an offset.**

The installation of the prefabricated chimney and the liner must comply with the manufacturer's instructions. The following are instructions in installing the venting of the Elegance 42 running through a masonry chimney:

1. Install the anchor plate onto the unit.
2. Position the fireplace to the recommended location.
3. Install the initial prefabricated chimney lengths and elbows.
4. Mark the area where the prefabricated chimney will penetrate the masonry chimney.
5. Remove the fireplace to allow for sufficient space to work.
6. Make a hole to the required size to allow for the prefabricated chimney to be inserted freely in the masonry chimney. Note that the appropriate firestops need to be installed if running the prefabricated chimney through a combustible wall.
7. Install the remaining prefabricated chimney components center with the masonry chimney.
8. Align the flange holder of the 6CON connector with the studs facing upwards to the center of the prefabricated chimney section (elbow or tee) and secure it with three self-tapping screws.
9. Reposition the fireplace to its initial position.
10. Overlap by 1 inch the lower end of the liner in the expanded portion of the 6CON connector and secure the joint with 3 #8 stainless steel self-tapping screws.
11. From the roof, slide the liner down the masonry chimney until it reaches the upper end of the prefabricated chimney.
12. Install the upper portion of the 6CON liner connector to the flange holder by aligning the threaded studs to the holes and complete the connection by tightening the wing nuts.
13. Seal any openings around the prefabricated chimney and the 6CON connector with refractory cement resistant to high temperatures.

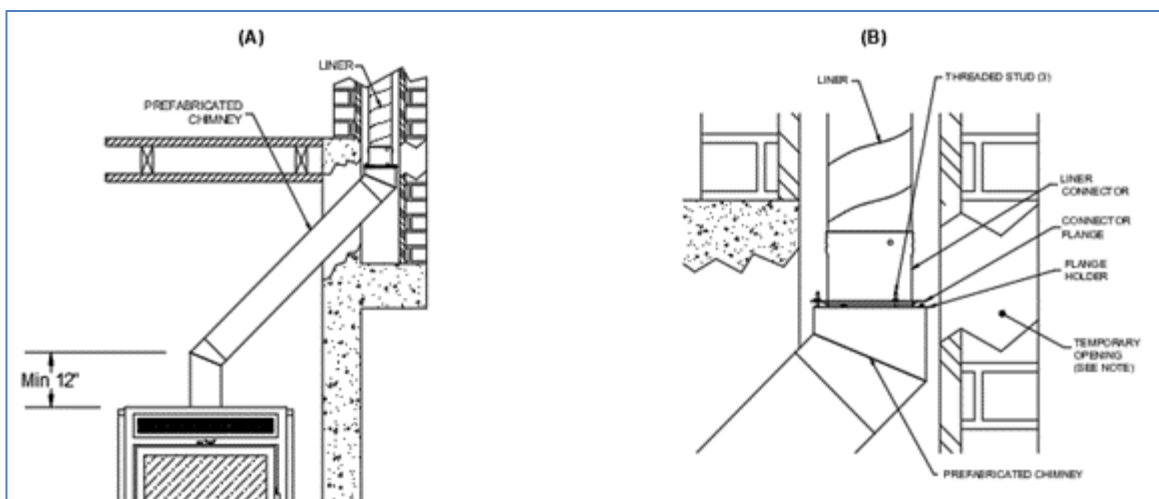


Figure 3-9: (A) Connection into a masonry chimney through an elbow/liner; (B) detailed drawing of masonry chimney connection.

3.3 Framing

The Elegance 42 can be placed directly onto or against normal, combustible construction materials such as lumber, plywood, millboard, particleboard, drywall and decorative wood paneling. The fireplace should NOT be placed directly against or be in contact with an insulation material. A portion of the framing on the face of the chase must be constructed with nominal 2" x 3" or 2" x 4" metal studs and the remainder can be constructed with nominal 2" x 3" or 2" x 4" lumber. Refer to Figure 3-10 for an example of a framing design and Figure 3-11 for the framing for installations of the single linear front louver gravity kit. The framing must be nailed or screwed onto the floor and to the ceiling.

The recommended framing dimensions of the single linear front louver is 40" x 7.5". A minimum distance from the ceiling to the top of the louver is 5.5". The base of the louver must be at least 64" from the base of the unit.

CAUTION: Respect the framing design outlined in Figure 3-11 as well as the chimney manufacturer's clearances to combustibles.

WARNING: Do not nail or screw framing components onto the fireplace.

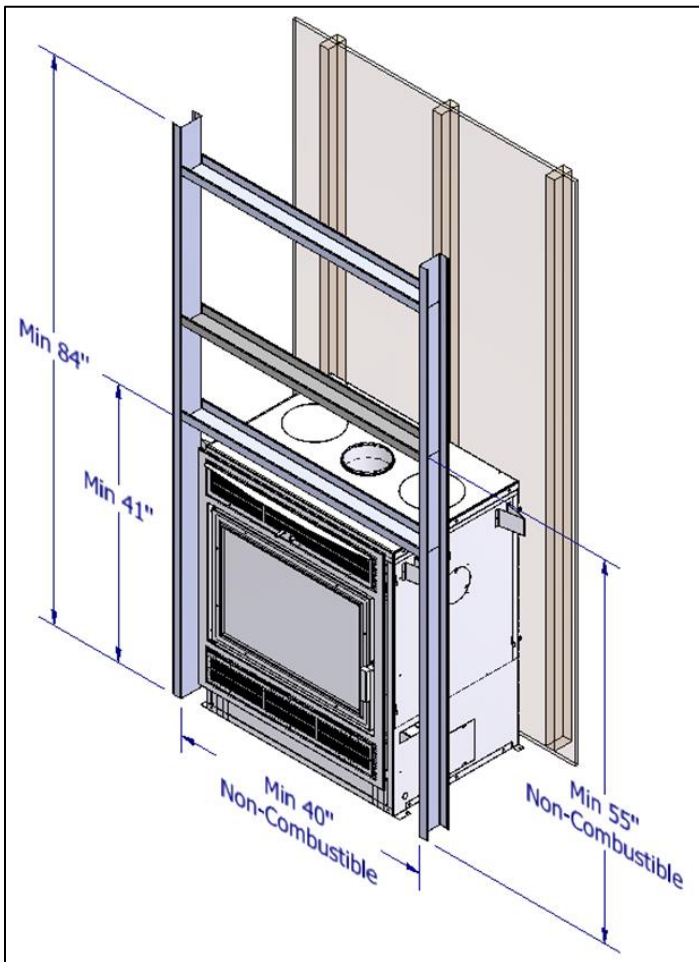


Figure 3-10: Minimum Elegance 42 Framing Dimensions

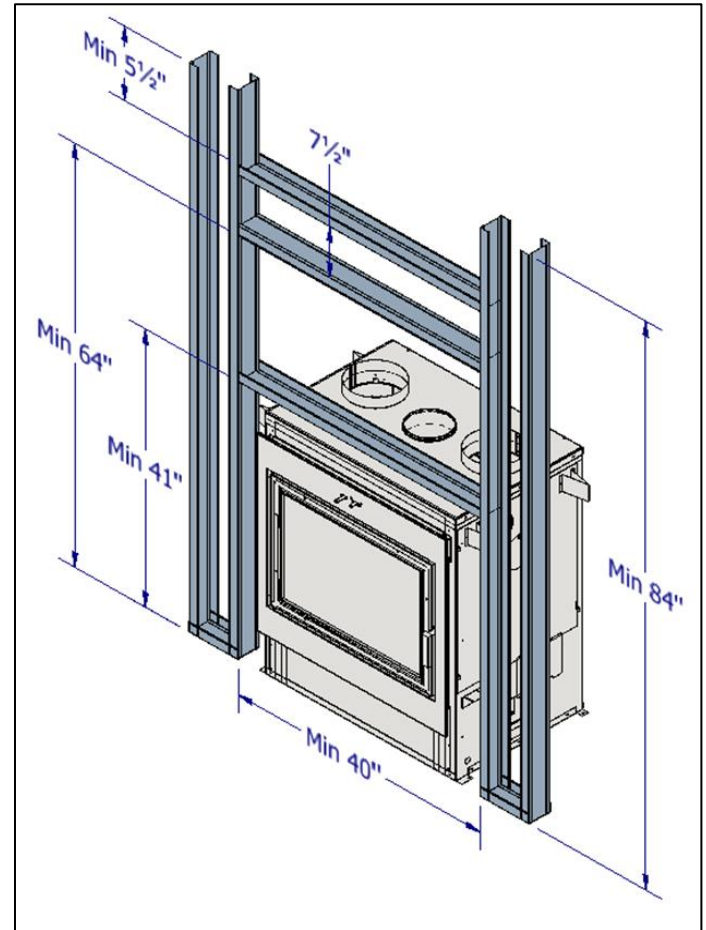


Figure 3-11: Minimum Framing Dimensions for Single Linear Front Louver Gravity Kit Installations

Refer to Figure 3-10 for minimum non-combustible framing dimensions

3.4 Surround Installation

The Elegance 42 can be installed with either the traditional surround or the clean face surround.

3.4.1 Traditional Surround

The traditional surround comprises louvers below (intake) and above (outtake) the door. All components and fasteners are included in the surround kit. Refer to Figures 3-13 and 3-14 and Tables 3-2 and 3-3 for the instructions below.

1. Remove the door of the unit and place it on a soft surface, such as a carpet or cardboard, to avoid any scratches or damages.
2. Align the lower support bracket (Item 6) to the intake opening and fasten it in place (Figure 3-13).
3. Bend the ends of the upper support bracket (Item 7), align it to the outtake opening and fasten it in place (Figure 3-13).
4. Place the surround (Item 1 in Figure 3-14 or Item 3 in Figure 3-15) within the door holder and secure it in place with four black screws (one on each corner). Make sure that the handles of the Combustion Air Control pass through the slots of the surround.
5. Reinstall the door onto the unit.
6. Secure the Intake Swivel Covers on the bottom sides of the unit to the closed position (Figure 3-12).

WARNING: For traditional surround installations only.

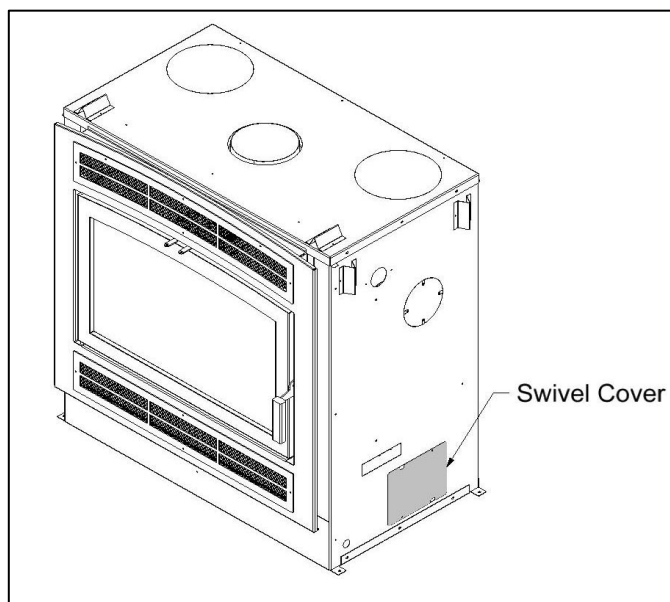


Figure 3-12: Intake Swivel Cover Closed

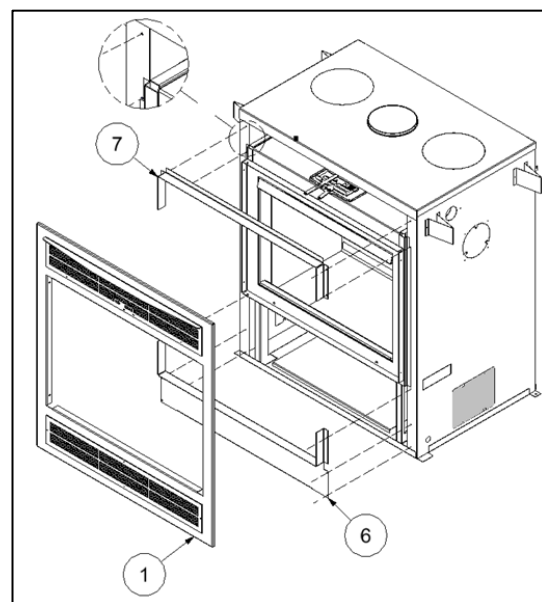


Figure 3-13: Traditional Surround Installation

WARNING: For Traditional Surround Installations Only

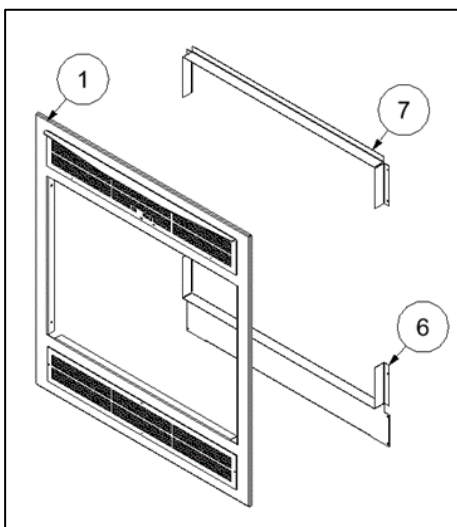


Figure 3-14: Traditional Rectangular Surround Components

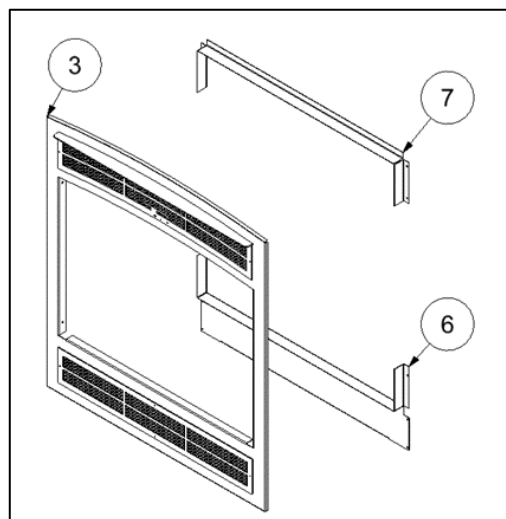


Figure 3-15: Traditional Arched Surround Components

Table 3-2: UWA600 Components

TRADITIONAL RECTANGULAR		
ITEM	DESCRIPTION	QTY
1	Traditional Rectangular Surround	1
6	Lower Support Bracket	1
7	Upper Support Bracket	1

Table 3-3: UWA610 Components

TRADITIONAL ARCHED		
ITEM	DESCRIPTION	QTY
3	Traditional Arched Surround	1
6	Lower Support Bracket	1
7	Upper Support Bracket	1

3.4.2 Clean face Surround

The Clean Face surround comprises no louvers; however, an intake into the chase and an outtake through gravity ducts is required for this configuration. The instructions below describe the installation of the Clean Face surround. Refer to Figures 3-18 and 3-19 and Tables 3-4 and 3-5 for the instructions below. Refer to Section 3.5 for Gravity Kit installation instructions.

1. Remove the door of the unit and place it on a soft surface, such as a carpet or cardboard, to avoid any scratches or damages.
2. Align the Clean Face lower cover (Item 8) and fasten it in place (Figure 3-17).
3. Bend the ends of the Clean Face upper cover (Item 7), align it and fasten it in place (Figure 3-17).
4. Place the surround (Item 4 in Figure 3-18 or Item 5 in Figure 3-19) within the door holder and secure it in place with 4 black screws (one on each corner). Make sure that the handles of the Combustion Air Control pass through the slots of the surround.
5. Reinstall the door onto the unit.
6. Secure the Intake Swivel Covers on the bottom sides of the unit to the **open** position (Figure 3-16).
7. Remove the two 8" knockouts at the top of the unit using a flat head screwdriver (Figure 3-20).
8. Through the openings of the knockouts, cut the exposed insulation. Make sure to remove any pieces of insulation that has fallen into the unit.
9. Bend the tabs inside the 8 inch knockouts (Figure 3-21) upwards.
10. Install the 8 inch duct adapters (Item 9 in Figure 3-17) through the newly cut knockouts and screw them to the bent tabs (Figure 3-22).

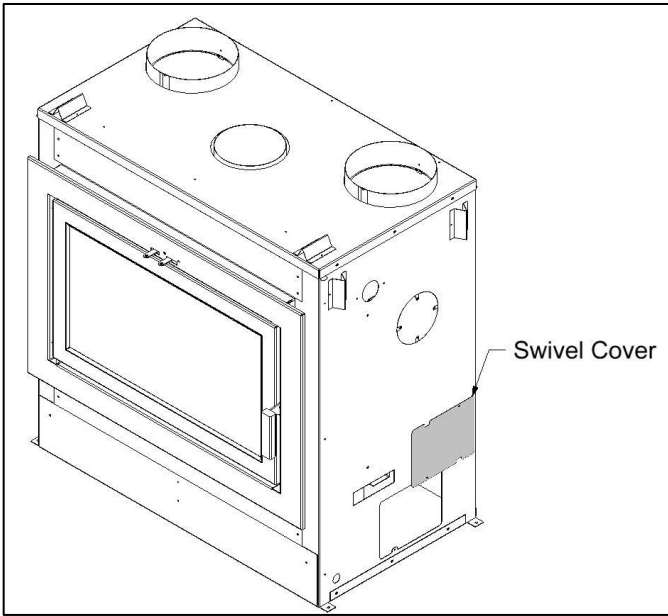


Figure 3-16: Intake Swivel Cover Kept Open for Clean Face Installations

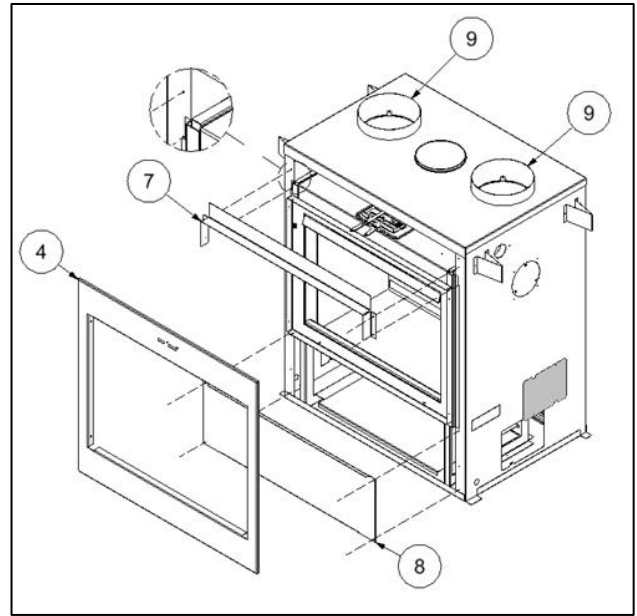


Figure 3-17: Clean Face Surround Installation

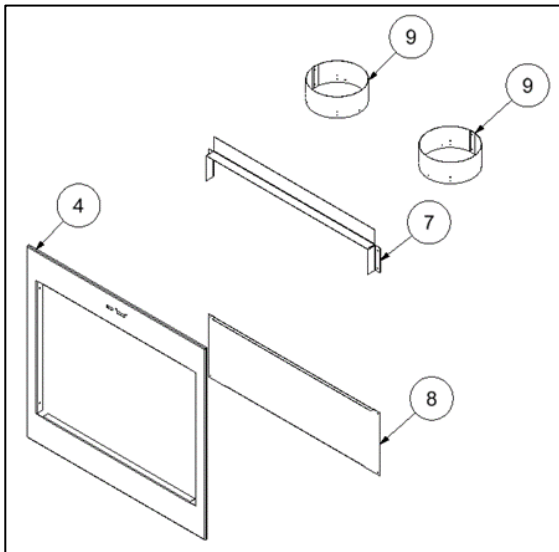


Figure 3-18: Clean Face Rectangular Surround Components

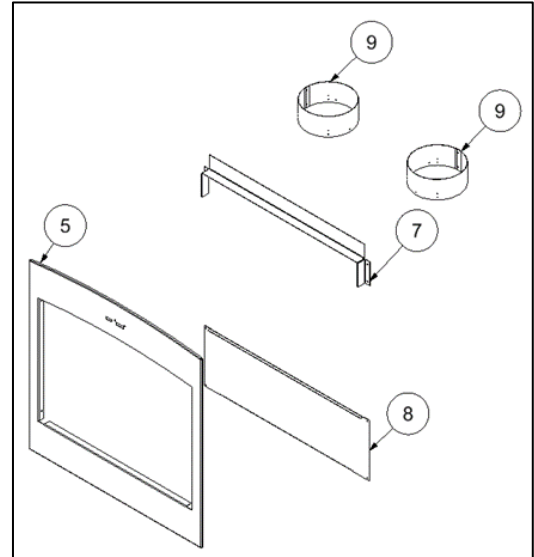


Figure 3-19: Clean Face Arched Surround Components

Table 3-4: UWA620 Components

CLEAN FACE RECTANGULAR		
ITEM	DESCRIPTION	QTY
4	Clean Face Rectangular Surround	1
7	Clean Face Upper Cover	1
8	Clean Face Lower Cover	1
9	Duct Adapter	2

Table 3-5: UWA630 Components

CLEAN FACE ARCHED		
ITEM	DESCRIPTION	QTY
5	Clean Face Arched Surround	1
7	Clean Face Upper Cover	1
8	Clean Face Lower Cover	1
9	Duct Adapter	2

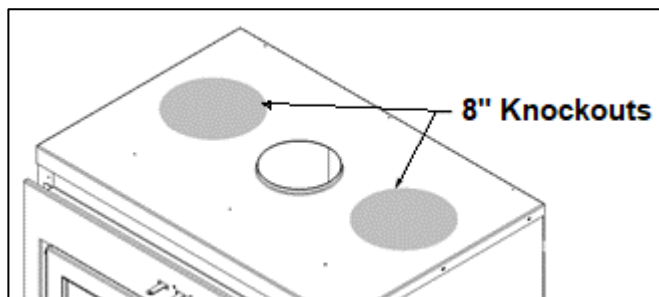


Figure 3-20: 8 Inch Knockouts for Gravity Kit

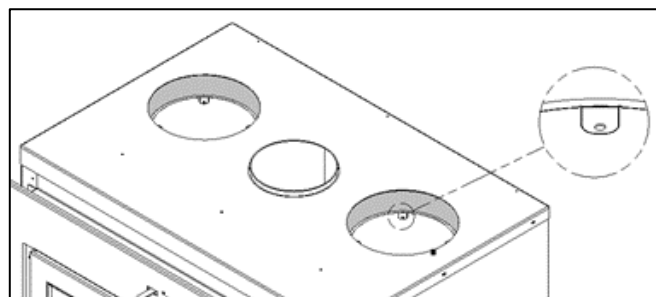


Figure 3-21: Tabs Inside the 8 Inch Knockouts

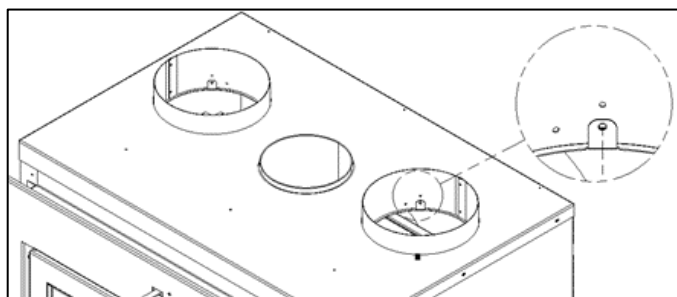


Figure 3-22: Installation of 8 Inch Duct Adapters

3.5 Gravity Kit Installation

The Clean Face surround comprises no louvers; however, an intake into the chase and an outtake through gravity ducts is required for this configuration. The instructions below describe the installation of the intake openings, and the gravity ducts/outtakes. Note that in order to connect the gravity ducts to the sides of the chase, the sides of the chase need to be constructed and the front of the chase needs to remain open; to connect the gravity ducts to the front of the chase, the sides need to remain open and the front of the chase needs to be constructed (Figure 3-24). Please note that the SUPREME KG540 kit and the UCAC8 semi-rigid insulated ducts are required for the Gravity Kit installation (Figure 3-23).

3.5.1 Dual Louver Gravity Ducts

1. Determine the two locations of the air intakes on the chase and cut a rectangular opening 10.5" (W) X 9.5" (H). Note that a distance of 5" is required from the floor.
2. Determine the two locations of the air outtakes on the chase and cut a rectangular opening 10.5" (W) X 9.5" (H). Note that a minimum distance of 64" is required from the floor and a minimum of 6" is required from the ceiling (Figure 3-40). Please note that the air outtake grilles can be installed in the same room or in different rooms from each other. If the grilles are installed at different heights, more heat will be distributed to the highest one.
3. From the exterior of the chase, place the duct/louver adapter into the air outtake hole and secure it onto the wall with screws. Repeat for the other outtake.
4. Within the chase, place the grooved end of the adjustable 45° elbow into the flange of the duct/louver adapter and secure it using aluminum tape. Repeat for the other outtake.
5. Measure the distance between the duct adapter on top of the unit and the flange of the duct/louver adapter and cut the 8" semi-rigid insulated duct (SUPREME part number UCAC8) to the necessary length. Repeat for the other outtake.
6. Complete the connections by sliding the ducts over the duct adapters and the flanges of the duct/louver adapters and tighten both ends with the worm gear clamps.
7. From the exterior of the chase, fasten the grilles over the intake and outtake openings with the beige screws.

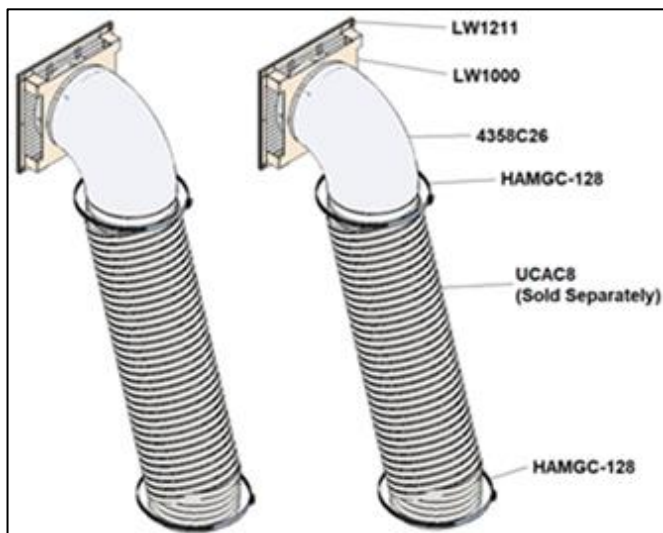






Figure 3-23: KG540 Assembly Diagram

Table 3-6: KG540 Components

ITEM	DESCRIPTION	QTY	ILLUSTRATION
LW1211	12"x 11" grille for intakes and outtakes	4	
LW1000	Duct/louver adapter	2	
4358C26	45° elbow, 8" diameter	2	
HAMGC-128	8" worm gear clamp	4	

WARNINGS:

- The gravity ducts must extend upwards from the top of the unit and cannot exceed 10 feet.
- The ducts should never extend downwards; only upwards.
- The air outtakes must be installed at a minimum of 64 inches from the floor.
- The gravity ducts must not be connected to a central heating system.
- A clearance must be maintained between the gravity ducts and the chimney.
- The intake swivel covers at the bottom sides must remain open for all Clean Face installations. Refer to Figure 3-16.

Refer to Figure 3-39 for clearances to combustibles.

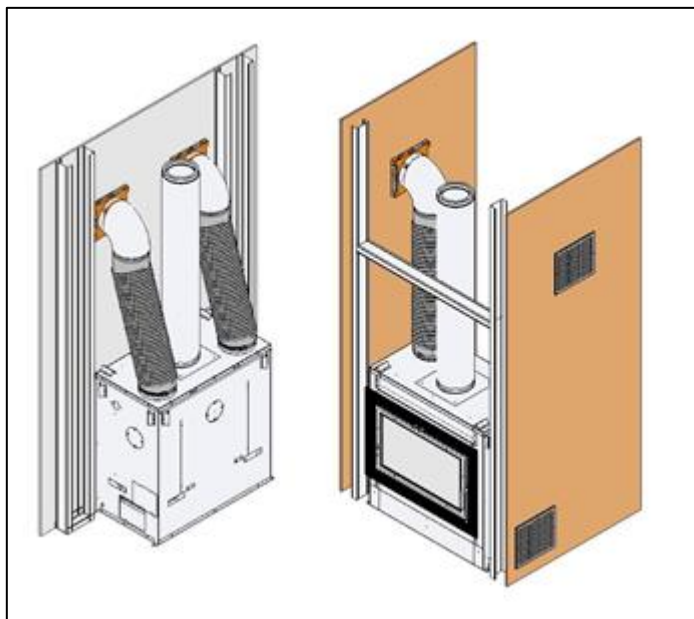


Figure 3-24: Gravity Kit Installation

3.5.2 Single Linear Front Louver

The clean face surround comprises no louvers; however, an intake into the chase and outtake through gravity ducts is required for this surround configuration. The instructions below describe the installation of the intake openings and the single linear front gravity ducts/outtakes. Please note that the SUPREME LV32 kit is required for the Gravity Kit installation with a single linear front louver (Figure 3-25).

ATTENTION: The single linear front louver requires framing for installation. The recommended framing dimensions of the single linear front louver are 40" x 7.5". A minimum distance from the ceiling to the top of the louver is 5.5". The base of the louver must be at least 64" from the base of the unit.

Refer to Figure 3-11 in Section 3.3 for framing requirements of single linear front louver installations.

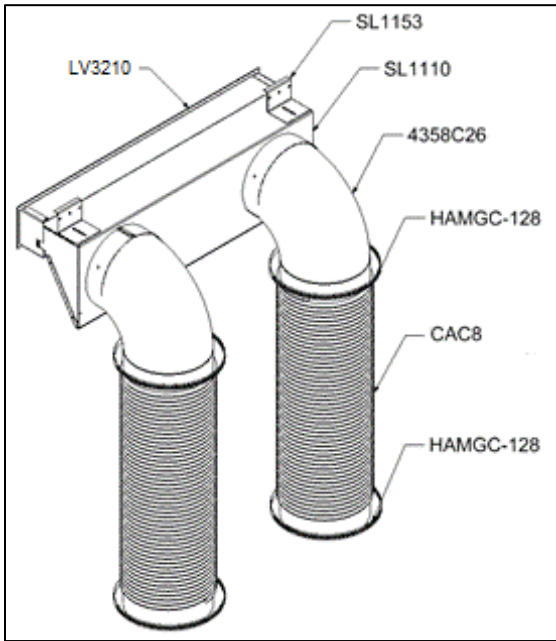


Figure 3-25: LV32 Assembly Diagram

Table 3-7: LV32 Components

ITEM	DESCRIPTION	QTY	ILLUSTRATION
LV3210	Linear front outtake louver	1	
SL1110	Linear duct/louver adapter	1	
4358C26	90° elbow, 8" diameter	2	
HAMGC-128	8" worm gear clamp	4	
CAC8	8" duct 5' long	2	
LV1610	16"x 5" grille for intakes	2	

WARNINGS:

- A minimum clearance of 1 inch is required from the CAC8 ducts to combustible materials.
- The gravity ducts must extend upwards from the top of the unit and cannot exceed 10 feet.
- The ducts should never extend downwards; only upwards.
- The gravity ducts must not be connected to a central heating system.
- The intake swivel covers at the bottom sides must remain open for all Clean Face installations. Refer to Figure 3-16.

Refer to Figure 3-41 for single linear louver front chase.

INSTALLATION:

1. Install the linear duct/louver adapter (item SL1110 of Figure 3-25 and Table 3-7) onto the framing of the single linear front louver (Figure 3-26). The brackets of the SL1110 (SL1153 of Figure 3-25) are adjustable to accommodate different wall finishing materials (Figure 3-27).
2. Temporarily install one of the 90° elbows (4358C26 of Figure 3-25 and Table 3-7) on the linear duct/louver adapter (Figure 3-28) and measure the distance L indicated in Figure 3-29.

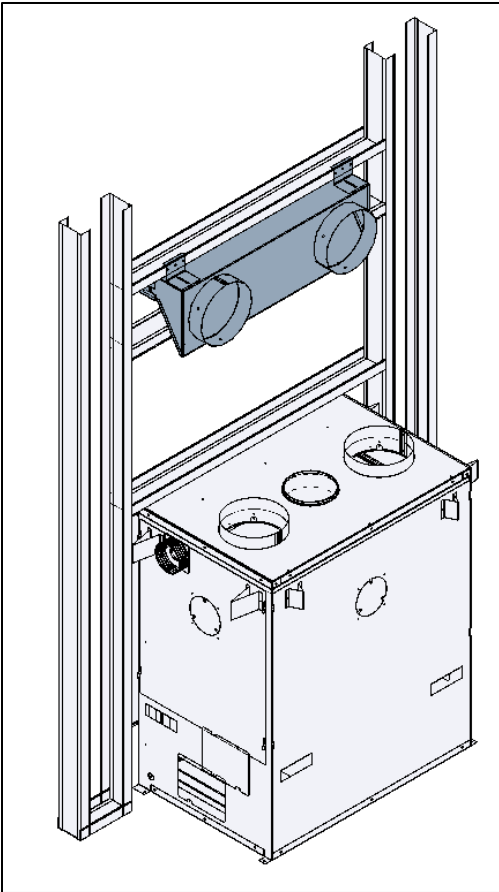


Figure 3-26: Linear Duct/Louver Adapter Installation

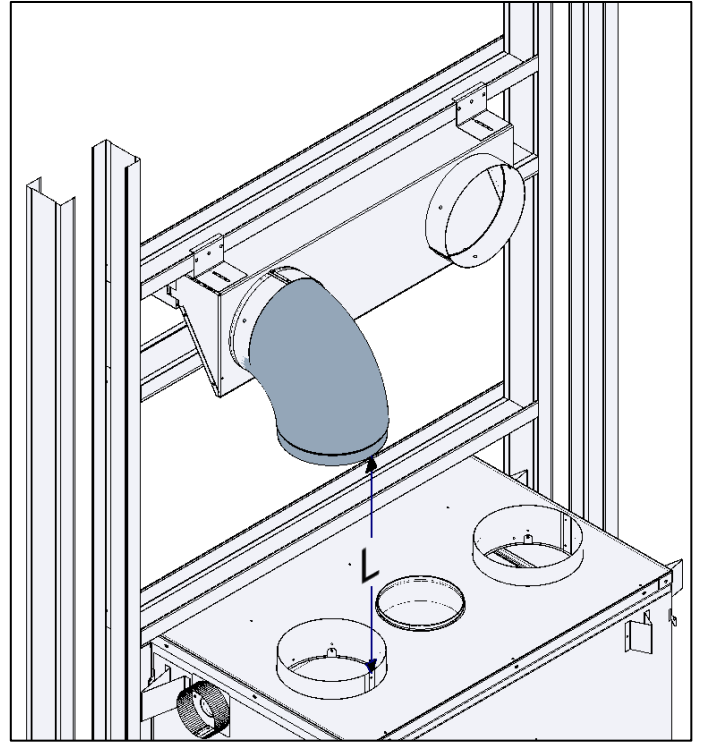


Figure 3-28: Elbow Temporarily Installed on Linear Duct/Louver Adapter

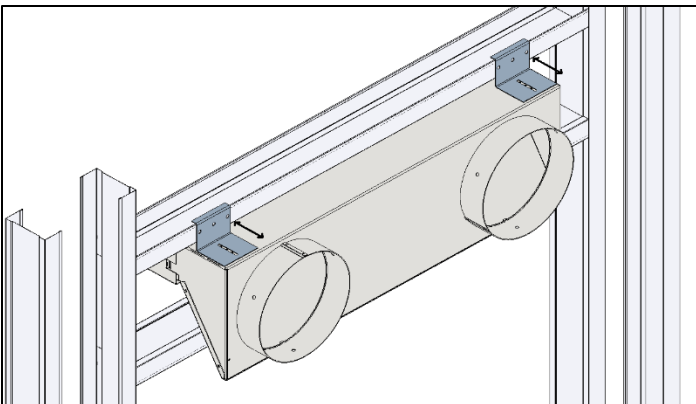


Figure 3-27: Adjustable Brackets of Linear Duct/Louver Adapter

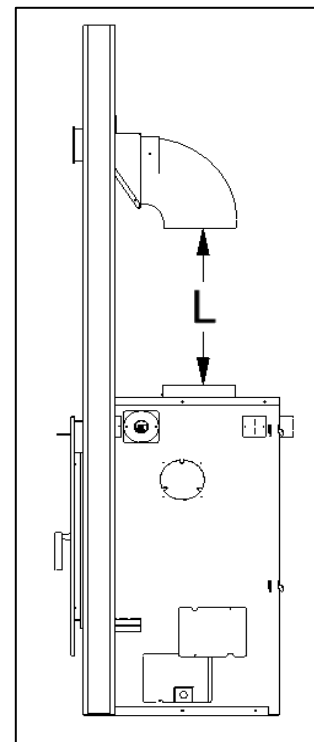


Figure 3-29: Distance L

3. Uninstall the 90° elbow from the linear duct/louver adapter.
4. Add 3 inches to the distance L and cut the two CAC8 ducts (Figure 3-25 and Table 3-7) to that length.
5. Insert a worm gear clamp on each end of the ducts (Figure 3-30).
6. Install the 90° elbows on one end of the ducts and secure them with the worm gear clamps (Figure 3-31).
7. Insert the other ends of the ducts on the 8 inch duct adapters on top of the fireplace (Figure 3-32).

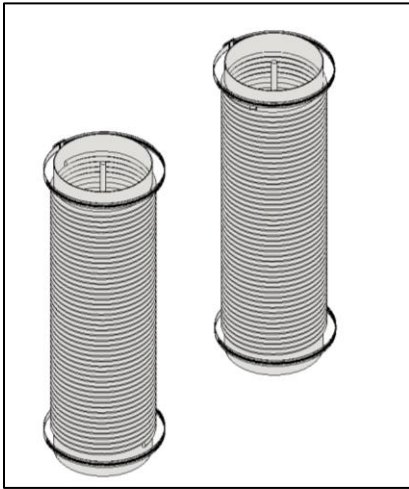


Figure 3-30: CAC8 Ducts with Worm Gear Clamps

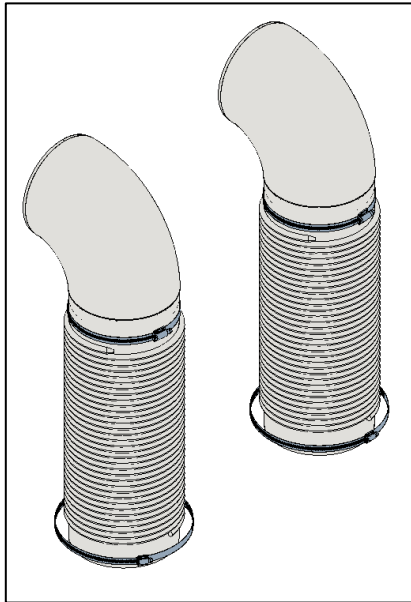


Figure 3-31: Installation of 90° Elbows on CAC8 Ducts

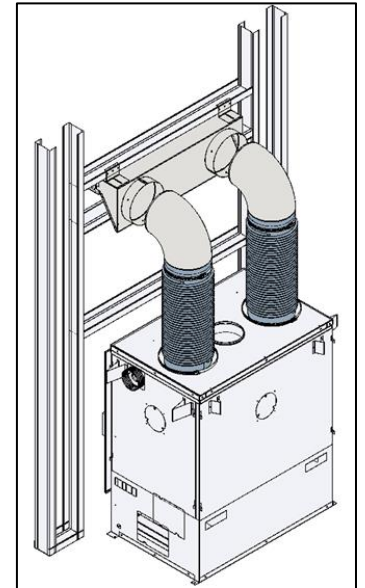


Figure 3-32: CAC8 Duct Installation

8. Connect the elbows to the linear duct/louver adapter and secure them with sheet metal screws (Figure 3-33).
9. Tighten the worm gear clamps to secure the assembly on top of the fireplace (Figure 3-34).

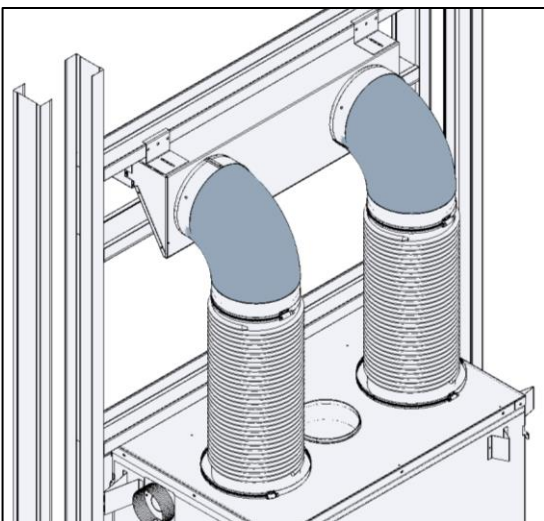


Figure 3-33: Installation of 90° Elbows onto Linear Duct/Louver Adapter

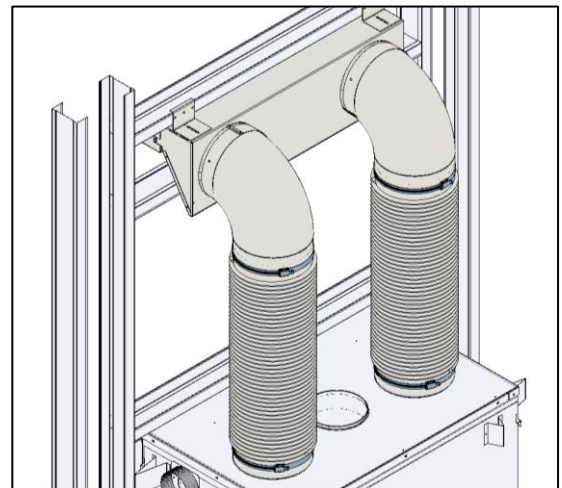


Figure 3-34: The Two Bottom Worm Gear Clamps Tightened

10. Once the chase has been built, locate the linear duct/louver adapter outlet and cut an opening on the chase finishing material of 30.75" (W) X 4.5" (H) centered with the outlet (Figure 3-35).

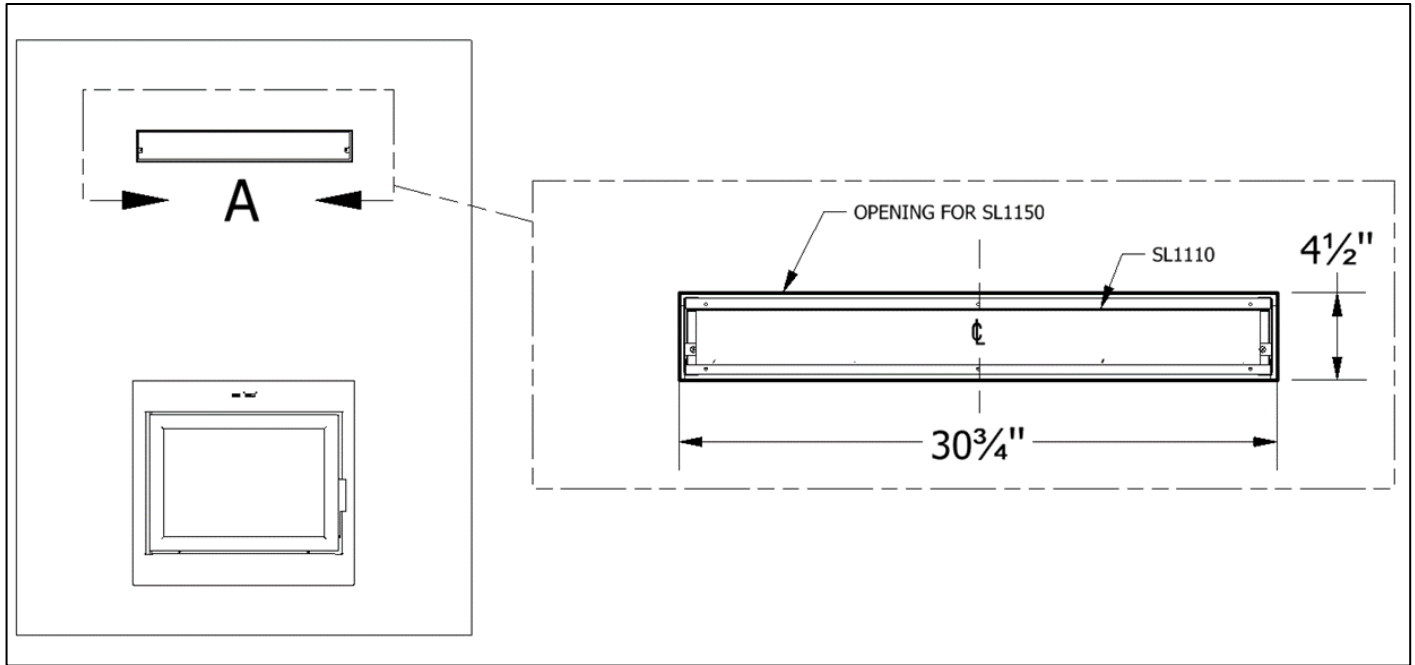


Figure 3-35: Opening for Air Outtake

11. Determine the two locations of the air intakes on the chase and cut the rectangular openings of 15.25" (W) X 4.5" (H) (Figure 3-36).
 Note: A distance of 5 inches is required from the floor.
12. From the exterior of the chase, fasten the LV3210 linear front outtake louver and the two LV1610 intake grilles (Refer to Table 3-7).

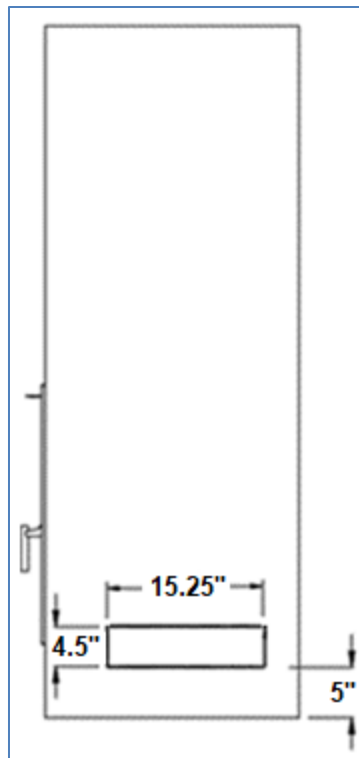


Figure 3-36 Opening for Air Intake
Two Required

3.6 Hearth Extension

The hearth extension of the Elegance 42 must comprise of a non-combustible material, such as steel, cement or mortar, bricks, or ceramic tiles. Note that unidentified materials may be combustible; verify product specifications prior to installation. The hearth extension must extend a minimum of 18" from the front of the door, 8" from side of the outer frame of the door and extended all the way to the unit (see Figure 3-37 for dimensions and Figure 3-38).

CAUTION: Make sure to remove any carpet or fabric under the hearth extension.

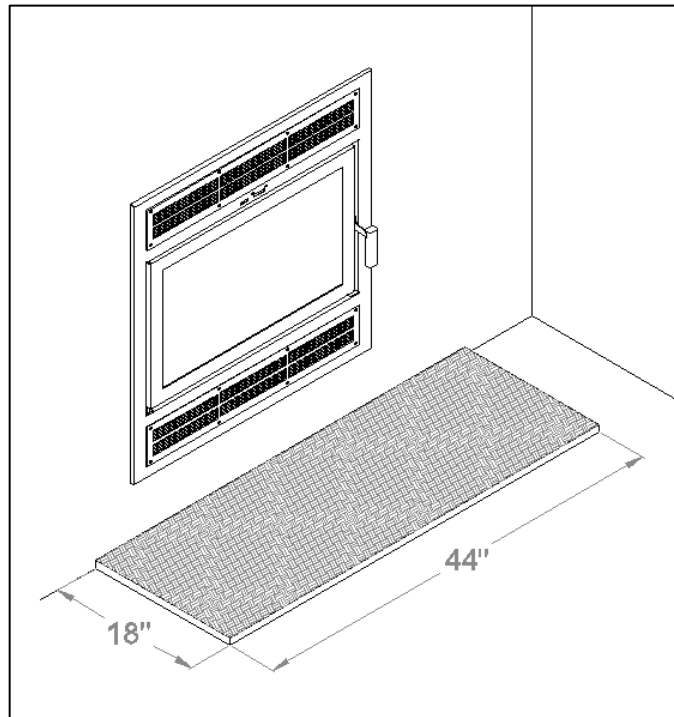


Figure 3-37: Hearth Extension

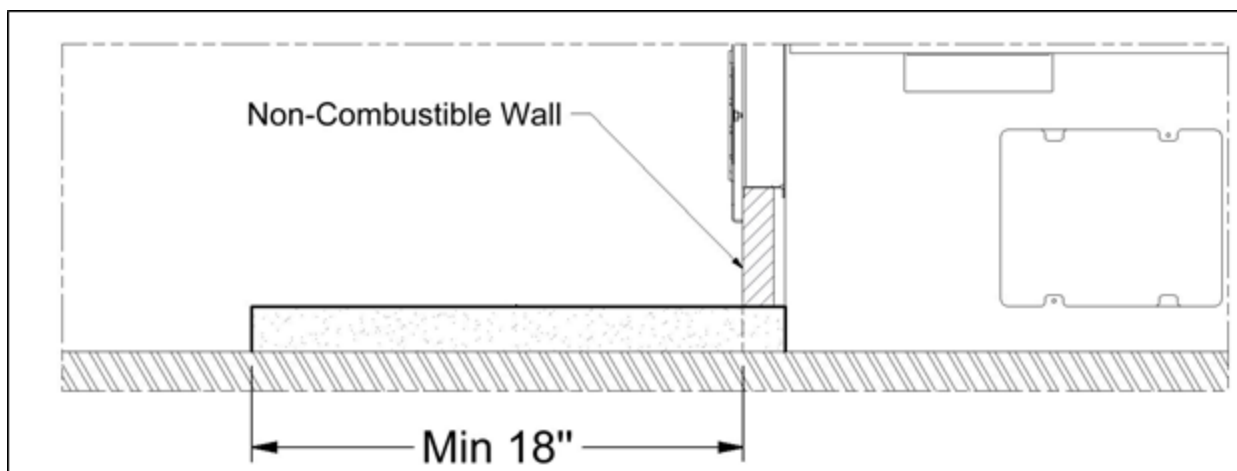


Figure 3-38: Hearth Extension Extended to Unit

3.7 Chase Installation

A portion of the front of the chase must be constructed out non-combustible material. Refer to Figure 3-39, 3-40, and 3-41 for dimensions. Note the chase must be properly fastened onto the framing structure.

WARNING: Do not nail or screw the chase onto the fireplace.

For the clean face surround option, two intake openings must be constructed onto the chase, as well as two outtake openings or one if installing the linear single louver front (Section 3.5). Refer to Figures 3-39 and 3-41 for minimum clearances.

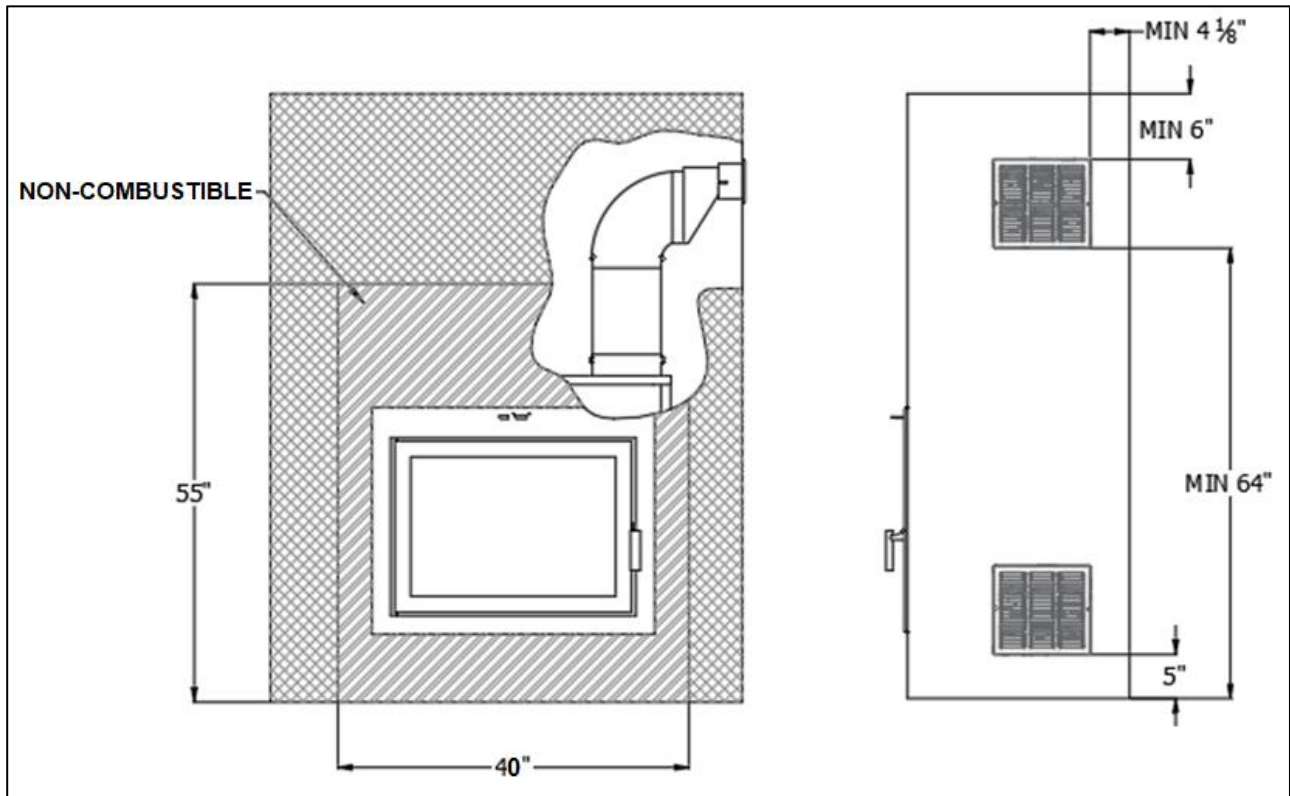


Figure 3-39: Front and Side Chase for Clean Face Dual Louver Configuration

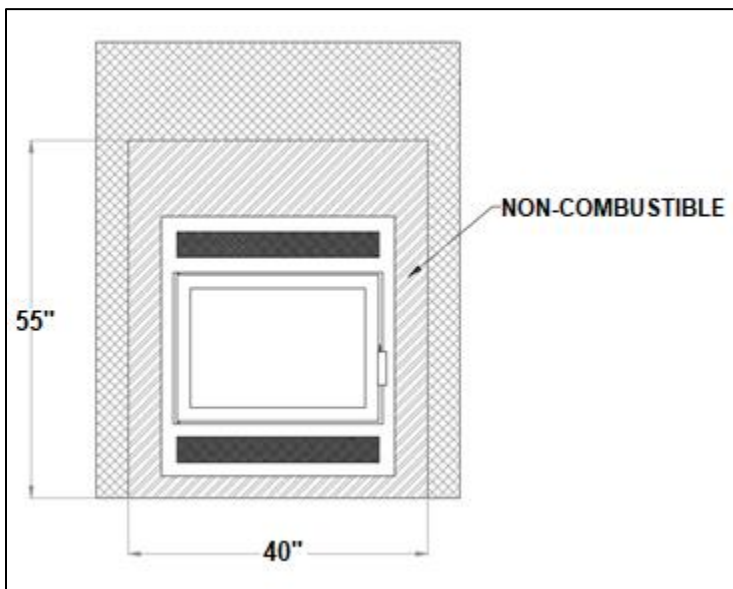


Figure 3-40: Front Chase for Traditional Surround Option

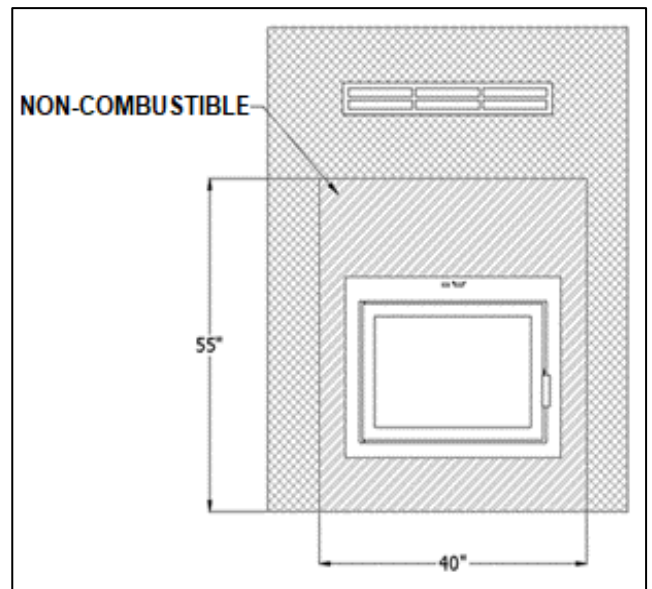


Figure 3-41: Front Chase for Clean face Linear Louver Configuration

3.8 Clearances to Combustibles

The clearances below must be respected to ensure safe operation of the unit under normal and extreme conditions. Failure to follow the information below is a safety hazard and may result in property damage.

Table 3-8: Overall Clearances

Combustible	Clearance	Reference
Side Wall	16" (41 mm)	Outer edge of fuel door
Side Trim	4" (10 mm)	Outer edge of fuel door
Ceiling	84" (214 mm)	Base of unit

Table 3-9: Combustible Mantel Clearances

Maximum Mantle Depth	Distance from the Base of the Elegance 42 to the Bottom of the Mantle
3" (7.6 mm)	51.5" (130.8 mm)
5" (12.7 mm)	53.5" (135.9 mm)
7" (17.8 mm)	55.5" (141 mm)

The depth of the mantle is measured from the face of the fireplace door. When the non-combustible wall is recessed, the depth of the mantle can be increased by the amount of the recess (see Figure 3-42). Note that a combustible mantle cannot be installed below the minimum clearance of 51.5" (from the bottom of the mantle to the base of the unit). A non-combustible mantle doesn't require a minimum distance from the fireplace.

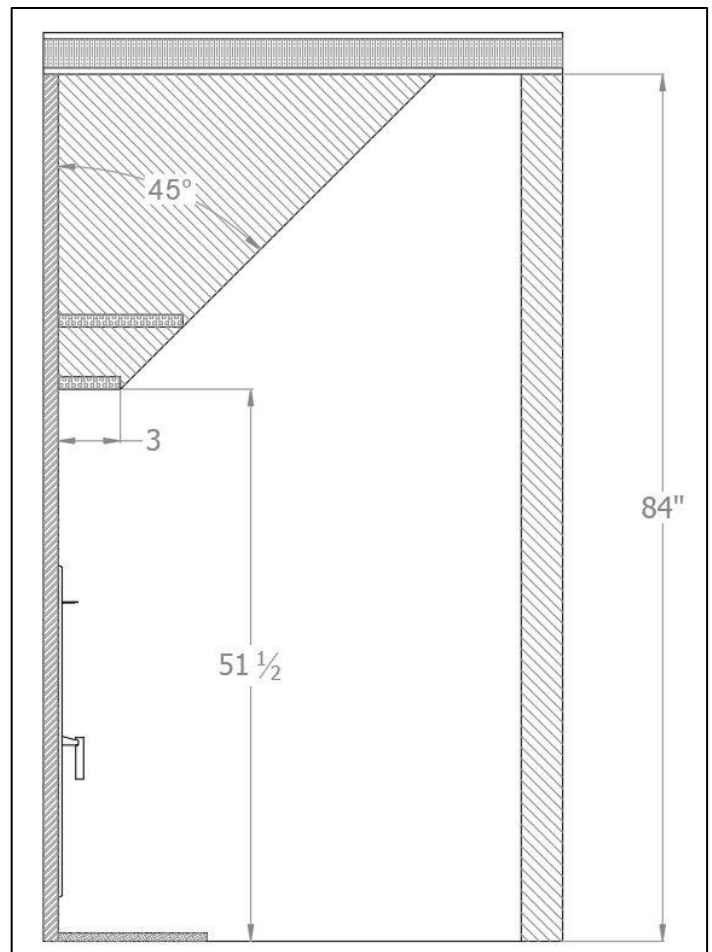


Figure 3-42: Mantel Clearance

3.9 Blower Kit

The Elegance 42 blower kit comes with two high performance 130 CFM blowers, which have an electrical rating of 115 V, 60 Hz, and 56 W. A variable speed control (rheostat) and a heat sensor (therm-o-disc) are included with the kit. **WARNING: Only a blower provided by SUPREME FIREPLACES INC. can be installed into the fireplace. Substituting the blower kit may result in overheating, will void the warranty and can be hazardous.**

The electrical connection of the blowers is to be performed by a certified electrician. Note that it is recommended that the wiring of the blowers be done before the installation of the surround kit. The blowers and the electric box are located respectively at the back/bottom and at the front/bottom of the unit (Figure 3-43).

WARNING: Make certain that the fireplace is not in operation and the blowers are unplugged (breaker off) before accessing the electrical wiring of the blower kit.

For maintenance or replacement purposes, the blowers and the electrical box are accessible from within the bottom of the firebox (Figure 3-44). 1) Remove the floor plate. 2) Disassemble and remove the stainless steel cover on the bottom of the firebox by unscrewing it. Take caution to the therm-o-disc and wiring assembled onto the stainless steel bracket.

The following are instructions on installing the blower kit into the Elegance 42 (refer to Figure 3-45 for the electrical diagram):

1. Using two screws, install the therm-o-disc onto the L bracket located under the firebox.
2. Connect the black wire of the power supply to the therm-o-disc.
3. Connect the therm-o-disc to the black wire of the rheostat (install/mount the rheostat at a convenient location).
4. Connect the white wire of the rheostat to the blowers.
5. Connect the blowers to the white wire (neutral) of the power supply.
6. Ground the connection with the green wire in the electric box.

Once the electrical connections are completed, the blowers will turn on and turn off automatically during the operation of the unit. As the temperature of the fireplace increases and the therm-o-disc reaches 95°F, the blowers will turn on. Note that the average time it takes for the blowers to activate is between 30 to 45 minutes after starting a fire. The blowers will turn off once the fireplace has cooled down and the therm-o-disc is 85°F. The speed of the blowers can be adjusted with the variable speed control (rheostat) mounted on the wall. It is safe to operate the Elegance 42 in the event of a power failure (blowers not powered).

Note: The blowers sit on a fixture. If a blower needs to be removed for maintenance, the fixture's pin needs to be unbent and the blower can then be removed by lifting it upwards, out of the fixture. See Figure 3-47.

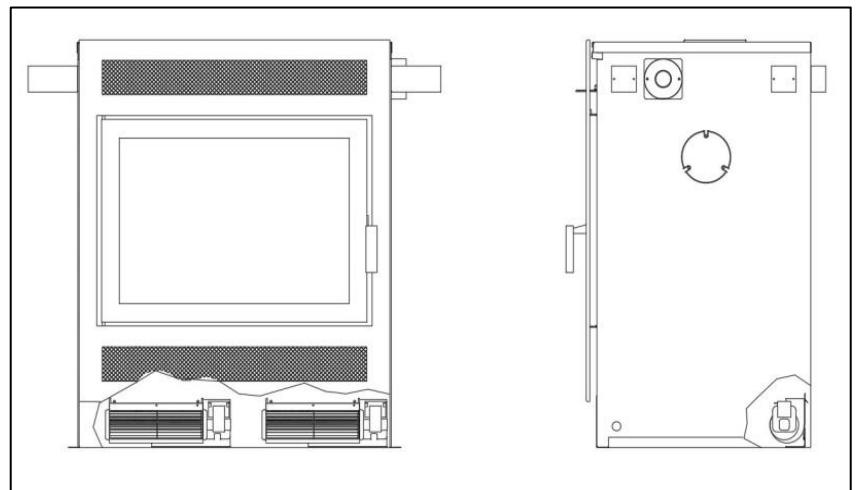


Figure 3-43: Location of Blower

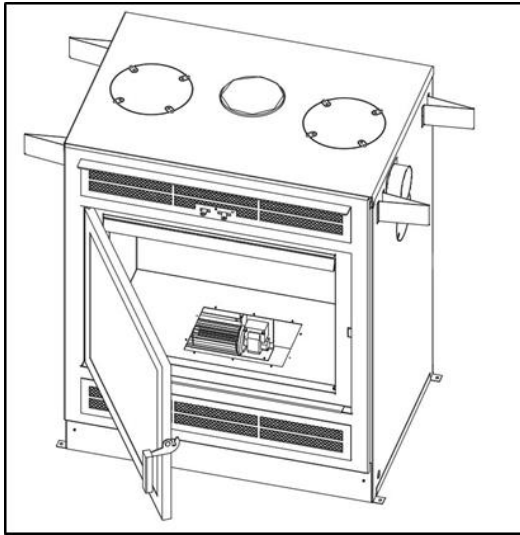


Figure 3-44: Access to Blowers

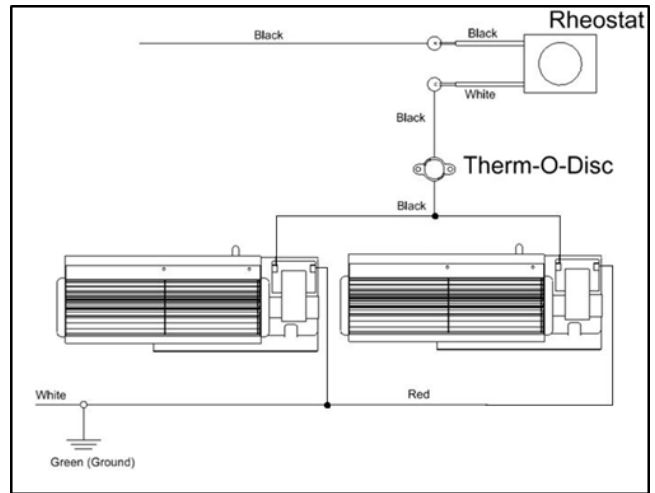


Figure 3-45: Electrical Diagram

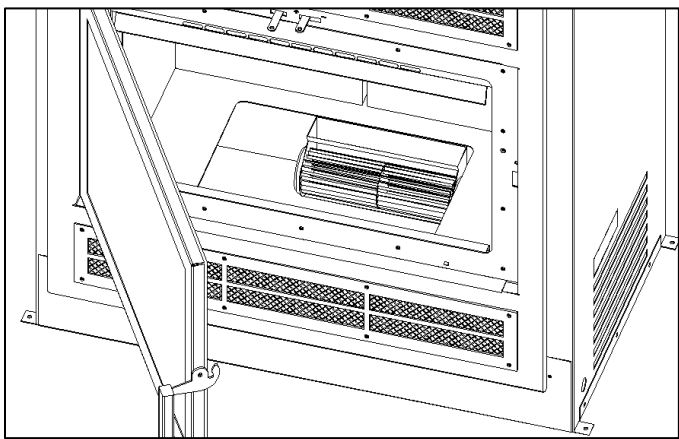


Figure 3-46: Access to Blowers

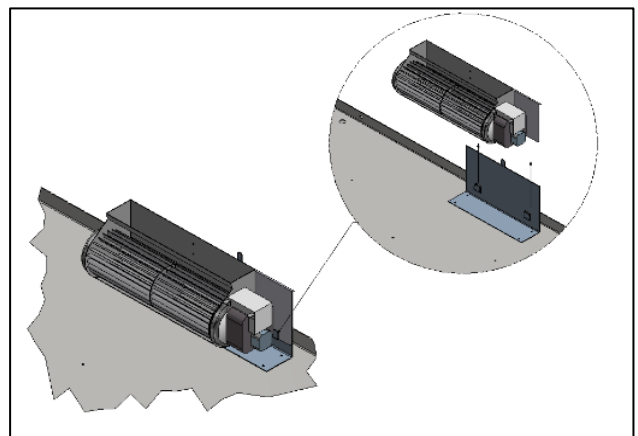


Figure 3-47: Blower and its Fixture

4 OPTIONS

4.1 Hot Air Kit

The hot air system is an optional kit intended to bring hot air from the fireplace to a remote area using a 250 CFM blower. The system is designed to distribute heat with ducting lengths up to 25 feet. Note that only an insulated flexible duct capable of withstanding a maximum temperature of 210°F can be installed with this kit. Note that a minimum distance of ten inches is required between the side of the unit connecting to the hot air kit and the framing to allow significant space (refer to Figure 3-3). It is possible to install up to three air ducts and to direct the ducts upwards or downwards.

CAUTION: Only a hot air kit provided by SUPREME FIREPLACES INC. can be installed onto the fireplace. Substituting the hot air kit may result in overheating, will void the warranty and can be hazardous.

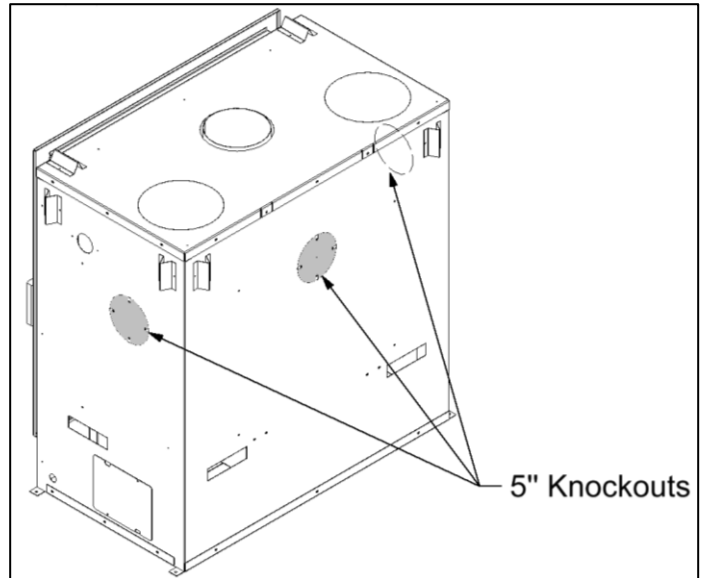


Figure 4-1: Hot Air Kit Knockouts

WARNINGS

- Do not install the blower within the casing of the fireplace.
- The minimum wall opening to run the duct is 6" x 7.5".
- When the hot air duct passes through the chase of the fireplace, the minimum distances to combustible materials must be respected. The duct must be secured to prevent accidental displacement.
- The minimum distance between the blower and the fireplace is 3 feet.
- The duct must not be in contact with the top of the fireplace.
- Do not use a speed control for the blower, which is hazardous and will void the warranty.
- The top of the hot air grille must be a minimum of 2 inches away from a flat ceiling.
- The hot air grille must be installed in a location that ensures the effective dispersion of the hot air.
- The hot air grille cannot be installed on a floor.
- If the grille is installed near a wall or ceiling, the grille openings must be positioned in such a way to direct hot air away from the wall or ceiling.

Parts List			
ITEM	QTY	PART NUMBER	DESCRIPTION
1	4	CLP	Clamp
2	1	701710	Blower
3	1	BLC	Blower-Duct Connector
4	2	UCAC5	Hot Air Duct *
5	1	FDC	Fireplace-Duct Connector
6	1	HAG	Hot Air Grille
7	1	WDC	Wall-Duct Connector

* Item not included

Figure 4-2: Hot Air Kit Parts List

Installation:

1. Remove the 5" knockout on the exterior casing of the fireplace using a flat head screwdriver (Figure 4-1).
WARNING: Only remove the knockouts that will be connected to a hot air kit system.
2. Using the knockout as a template, cut the exposed insulation. Make sure to remove any pieces of insulation that has fallen into the unit.
3. Install the fireplace duct connector (FDC - #5) on the opening using four screws.
4. In the room where the heat will be distributed, cut an opening of 6" X 7.5".
5. Find a suitable location to install the blower (701710 - #2).
6. Install the wall-duct connector (WDC - #7).
7. Install the air duct (UCAC5 - #4)* and secure it with a clamp (CLP - #1). The exterior of the insulated duct can be in contact with combustible materials.
8. Install the wall grille (HAG - #6).
9. Make the electrical connections (Figures 4-3 and 4-4). Note that the power supply to the blower is 115V.

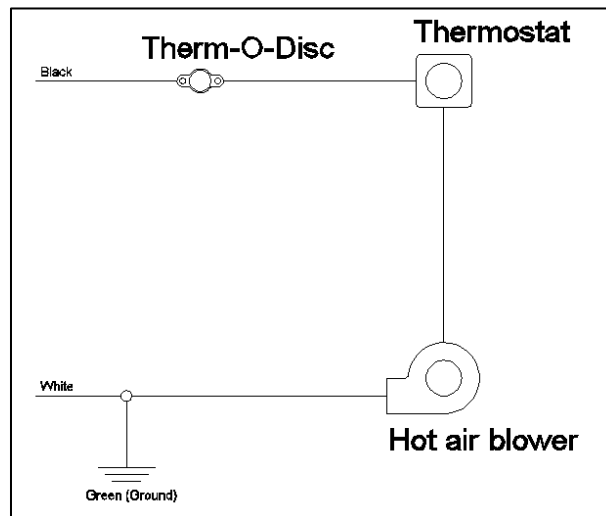


Figure 4-3: Electrical Diagram for Hot Air Kit

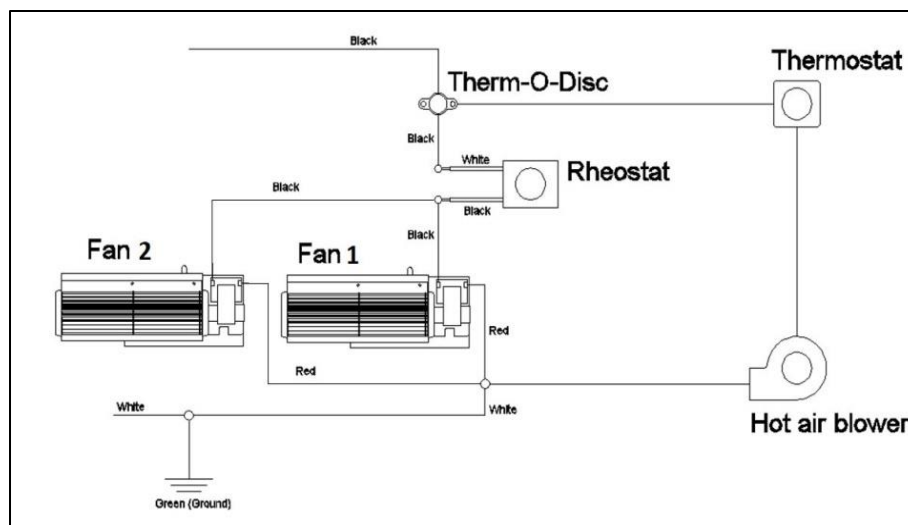


Figure 4-4: Electrical Diagram for Parallel Connection of Hot Air Kit and Blower Kit

4.2 Fresh Air Kit

Sufficient air exchange is necessary for the fireplace to operate properly and to maintain a good combustion. In an airtight household, the fireplace may not function as designed due to a lack of air; it is therefore recommended to install the fresh air kit in such cases. The fresh air system is an optional kit intended to bring combustion air into the fireplace from an exterior source. Note that a minimum distance of seven inches is required between the side of the unit connecting to the fresh air kit and the framing to allow significant space (refer to Figure 3-4).

Note that the Elegance 42 is designed to use a minimum amount of air during operation. Using an air exchanger or simply opening a nearby window/door during the ignition of the unit will achieve a similar result as the fresh air kit.

When the fireplace is idle, there is no air escaping from the house through chimney. **Consult a local authority having jurisdiction (such as the fire department, the municipal building department, the fire prevention bureau) to determine if it is mandatory to install a fresh air kit in your area.**

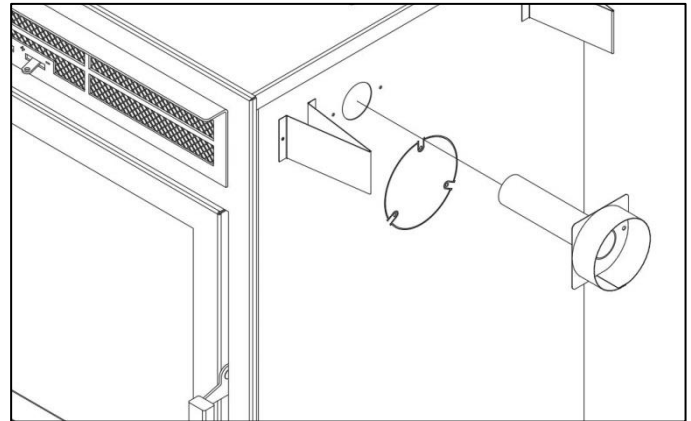


Figure 4-5: ADP4 Installation in Fireplace

General Notes:

The outside air kit should be installed according to the following guidelines:

- The air duct must be insulated, wrapped with a vapor barrier, and have an inner diameter of 4 inches.
- The length of the air duct should not exceed 25 feet.
- The duct should not be elevated more than 10 feet from the base of the unit.
- Fresh air must come from the outside and not from another room or the attic.
- The outside register must be away from automobile exhaust fumes, gas meters, or other vents.
- Avoid installing the air register where it will likely be covered by snow or exposed to strong winds.
- The air register can be installed above or below the level of the fireplace.
- Use the SUPREME FIREPLACES INC. Fresh Air Adapter (ADP4) provided with the unit.
- Use the SUPREME FIREPLACES INC. Fresh Air Kit (UPEA4).

Installation:

1. Cut 4 ½" diameter hole on the exterior wall of an ideal location.
2. Install the air register on the exterior wall.
3. Insert the fresh air adapter (ADP4) into the fireplace from the exterior casing. Make sure that the adapter is properly inserted into the combustion air box on top of the firebox.
4. Secure the fresh air adapter to the side of the fireplace using two screws.
5. Install the air duct and secure it with worm gear clamps.

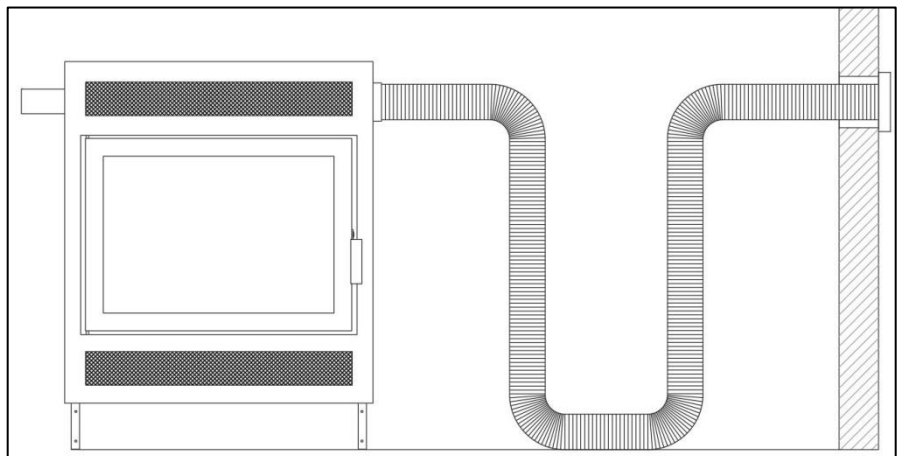


Figure 4-6: Installation of Fresh Air Kit

5 OPERATION INSTRUCTIONS

5.1 Fuel

The Elegance 42 is designed to burn natural wood only. Higher efficiencies and lower emissions generally result when burning air dried seasoned hardwoods (moisture content below 20%), as compared to softwoods or to green or freshly cut hardwoods. The following are a few signs indicating that firewood is sufficiently dry for use: (a) cracks on the ends and surface of the logs, (b) lighter in weight, and (c) color (yellow/grey). It is recommended to use a moisture meter with pin sensors for determining accurately the moisture content of firewood (read manufacturer's instruction manual before operating). The optimum log length is 18-22 inches, preferably split in halves or quarters and left to dry under a cover or away from external elements for a minimum of one year prior to use. Use good quality dry cordwood only. DO NOT burn garbage, lawn clipping, yard waste, materials containing rubber (including tires), materials containing plastic, waste petroleum products, paints, paint thinners, asphalt products, materials containing asbestos, construction debris, demolition debris, railroad ties, pressure-treated wood, wood that has been processed or modified from its natural state, manure, animal remains, coal, salt water driftwood or other previously salt water saturated materials, unseasoned wood, paper products, cardboard, plywood, particle boards, or other foreign materials in this product. The prohibition against burning these materials does not prohibit the use of fire starters made from paper, cardboard, saw dust, wax and similar substances for the purpose of starting a fire in an affected wood heater. Burning these materials may result in release of toxic fumes or render the heater ineffective and cause smoke. Do not over fire the Elegance 42 fireplace. Over firing will damage the fireplace, is hazardous and will void the warranty. NOTE: Gas logs cannot be installed in the Elegance 42 fireplace.

WARNING: Never use gasoline, gasoline-type lantern fuel, kerosene, charcoal lighter fluid, or similar liquids to start or “freshen up” a fire in this fireplace. Keep all such liquids well away from the fireplace while it is in use.

WARNING: Do not keep the door open while the fireplace is in operation.

5.2 First Fires

For the first three fires, burn a maximum of three logs at the medium to low burn rate (refer to Section 5.3) to allow for proper conditioning of the unit. Newly quarried Soapstone naturally contains moisture that must be slowly expelled by building smaller fires, otherwise the high temperatures can crack the stone.

CAUTION:

- Never throw wood into the fireplace. The impact can cause the soapstone to crack.
- Only use dry firewood.
- Do not use a fireplace grate in the Elegance 40.

Due to oil residues and the curing of the paint of the fireplace, it is normal to smell an odor for the first fires of the Elegance 40. Open a window or a dr near the fireplace to ventilate the house during the first fires. Oil residues may cause light smoking.

5.3 Operating the Combustion Air Control

The burn rate and the heat output are related to the amount of air entering into the firebox. The combustion air control of the Elegance 42 has two components: the Activator and the Burn Rate Selector (see Section 2.3). When starting the fire or when adding a new charge of wood, the fireplace needs additional air in order to establish a good fire. When the wood starts to burn properly, the amount of air can be reduced depending on the heating requirements.

The left combustion control lever is the Activator. When starting a fire or adding a new load of wood, the Activator must be pushed in to allow maximum air to enter the firebox. The right combustion control lever is the Burn Rate Selector. The Burn Rate Selector can slide sideways to achieve different burn rates. When the Burn Rate Selector is positioned to the left, a maximum burn rate is achieved and when it is positioned to the right, a minimum burn rate is set. Keeping the Burn Rate Selector to the right will burn the wood slower. Keeping the Burn Rate Selector to the left will provide a stronger fire and keep the glass of the fireplace cleaner for longer. Adjust the burn rate according to your heating requirements and the quality of your wood. The combustion air control will automatically and gradually close the primary air source to the selected burn rate setting (right lever) with the presence of heat to maximize the burn time.

NOTE: The Burn Rate Selector can remain at the same setting at all times if the burn rate is satisfactory. However, the Activator must be pushed in when starting a fire or when adding a new load of wood.

WARNING: The combustion air openings should never be obstructed.

WARNING: Never manipulate the Combustion Air Control with bare hands as it gets hot when the Elegance 42 is in operation. Use the Cold Hand Key (see Section 2.4) to adjust the Combustion Air Control.

WARNING: This wood heater has a manufacturer-set minimum low burn rate that must not be altered. It is against federal regulations to alter this setting or otherwise operate this wood heater in a manner inconsistent with operating instructions in this manual.

5.4 Starting a High Efficiency Fire

The Elegance 42 has patented technologies and innovative features that make starting a fire quick and easy. Before starting a fire, assure that all the safety precautions mentioned in the owner's manual are being respected. The following instructions describe starting a fire in Elegance 42 fireplace using a "top-down" approach, which results in a cleaner, more efficient, and longer burn. We recommend starting a fire with four to five standard sized logs, which are approximately 16-18" in length and 4-5" in depth, or its equivalent in volume, as well as a good quality firestarter and kindling.

- a) Place two logs in the firebox. The logs should sit directly on the hearth from left to right or east to west (parallel with the door). Do not use a fireplace grate.
- b) Place the firestarter on top of the two first logs.
- c) Place logs 3 and 4 across from logs 1 and 2 with the firestarter in between.
- d) Add some kindling wood above all your logs. See Figure 5-1.
- e) Push the left combustion control lever (the Activator) inwards.
- f) Slide the right combustion control lever (the Burn Rate Selector) to the desired burn rate. Positioning the Burn Rate Selector towards the left is for maximum burn rate and towards the right is for minimum burn rate.
- g) Light the firestarter.
- h) Once the firestarter is well lit, close the door. Do not leave the door open for more than 2 minutes.



Figure 5-1: Starting a Fire

CAUTION: The wood should be placed away from the door to avoid damage to the glass.

WARNINGS: Over firing the unit may result in overheating and can damage the fireplace and/or result in fire hazards. The maximum firewood load must not exceed four medium sized logs

(approximately 30 pounds). This fireplace has been designed to burn with the door closed. When the fireplace is being used, the door should remain closed at all times. Failing to do so is a safety hazard, will damage the fireplace and void the warranty.

WARNING: Do not use fire accelerants to rekindle the fire if the first attempt to start the fire failed. Do not open the door. Simply reactivate the Activator by pushing it inwards.

NOTE: Sufficient air exchange is necessary for the fireplace to operate properly. Air is required in order to maintain the combustion of the fireplace. If the house is airtight, the fireplace may not function properly. If the fireplace is deprived of air, it will be necessary to provide a source of fresh air into the dwelling. This may be done by using an air exchanger unit or simply by opening a window or a door near the fireplace partially for a few minutes. Make sure that other equipment such as the kitchen exhaust fans or oil central heating systems does not affect the fireplace functionality. Large return ducts of central heating systems located in the same room as the fireplace may affect the proper functioning of the unit and may cause smoking.

5.5 Adding a New Load of Wood

WARNING: Open the door to reload only when the wood has been reduced to embers, otherwise there is a risk of smoke infiltration into the house.

When the wood has been reduced to embers and there's no visible flame, you may add a new load.

- a) Turn the blower of the fireplace off.
- b) Crack the Elegance 42 door open and wait a few moments before opening the door completely.
- c) Use your fireplace tools to gather the remaining embers at the center of the firebox.
- d) Activate the Activator by pushing it in.
- e) Once the embers begin to glow red, add the new load of wood in the firebox.
- f) Keep the door of the Elegance 42 slightly unlatched until you see a flame in the firebox. Never leave the Elegance 42 door unlatched without constant supervision.
- g) Completely latch the Elegance 42 door and turn the blower back on.

Assure that a flame is maintained. Avoid wood smoldering on top of embers as this will result in a dirty glass, excessive emissions, chimney creosote buildup and poor heat output. If wood is smoldering, ensure the Activator has been activated and unlatch the door slightly with supervision until a flame has been maintained.

5.6 Blower Kit Operation

The blower kit for the Elegance 42 consists of two blowers mounted at the back/bottom of the unit and a heat sensory therm-o-disc; the blowers will start and stop automatically in the presence and absence of heat respectively. A variable speed control allows the adjustment of the speed of the blowers. Do not install a substitute kit as this may result in overheating and risk of fire. Refer to Section 3.9 for the installation instructions of the blower kit.

When the fireplace gets hot and the therm-o-disc reaches 95°F, the blowers will turn on. The average time it takes for the blowers to activate is 30 to 45 minutes after starting a fire as explained in Section 5.4. The blowers will turn off once the insert has cooled down and the therm-o-disc reaches 85°F. The speed of the blowers can be adjusted with the variable speed control.

CAUTION: To avoid ash and dust contamination, it is recommended to clean the blower at least once a year and to keep the hearth area clean. The blower must always be turned off before opening the door of the fireplace to reload. Failure to do so will void the warranty of the blower.

6 TROUBLESHOOTING

6.1 Backdraft / Smoking

Draft is the force created by a difference in pressure, which moves air from the appliance up through the chimney. It is important to operate the Elegance 42 with proper draft to ensure optimal performance of the unit. Draft is depended on the length of the chimney, local geography, nearby obstructions and other factors. Proper draft results in an upwards flow through chimney, which prevents smoke infiltrating into the house during operation of the unit. As the temperature of the unit and chimney rises during combustion, the draft consequently increases due to a higher difference in pressure.

In contrast, backdraft is air flow from the chimney into the house, which results in smoke infiltration from the appliance and/or the chimney joints during operation. The unit is experiencing backdraft if air is flowing out from the exhaust of the baffle system (within the firebox). Backdraft is most commonly caused by fans around the house (such as in the kitchen and bathrooms) simultaneously in operation, insufficient length of the chimney (less than 15 feet), or a blocked chimney. Refer to the following suggestions to eliminate backdraft:

- Close any fans operating around the house (specifically for the duration of ignition).
- Clean the chimney of any obtrusions (when the unit is cold).
- Open one window or one door near the Elegance 42.

6.2 Over Firing

The appearance of a red glow on the exterior of the firebox (top and sides) and/or on the flue is a sign of over firing. Excess air entering the firebox, over fueling, or an abnormal strong draft causes the unit to reach drastic temperatures from an uncontrollable combustion. Over firing is a safety hazard and may result in permanent damage to the unit. In the occurrence of over firing:

- a) Make sure the Elegance 42 door is properly closed.
- b) Manually close the Combustion Air Control by pulling the Activator (left lever).
- c) If possible, turn on the blowers to the maximum speed. The red glow on the exterior of the firebox and/or the flue should gradually disappear.

WARNING: Do not touch hot surfaces with bare hands. Always wear heat protecting gloves and use fireplace tools.

Guideline to avoid over firing:

- Always keep the door closed during operation.
- Inspect regularly the door gasket/glass and replace accordingly.
- Always operate the unit with the chimney sweeping cap in position, blocking the hole in the baffle.
- Never load more than 30 lbs of wood at a time.
- Ensure that there is no excess draft.

WARNING: Failure to follow the above guideline will void the warranty. Over firing is a safety hazard, can cause irreversible damages to the Elegance 42 and will void the warranty.

7 MAINTENANCE

7.1 Disposal of Ashes

Ashes should be placed in a metal container with a tight fitting lid. The closed container of ashes should be placed on a non-combustible floor or on the ground, well away from all combustible materials, pending final disposal. If the ashes are disposed of by burial on soil or otherwise locally dispersed, they should be retained in the closed container until all cinders have been thoroughly cooled. **CAUTION: Always wear heat resistant gloves when removing the ashes from the firebox.**

- a) Let the firebox cool to ambient temperature before removing the ashes. It is recommended to remove the ashes once the bed has exceeded a height of 4 inches.
- b) Slowly open the door to prevent ashes from coming into the room.
- c) Place an ash bucket (metal container) near the fireplace, onto the non-combustible hearth.
- d) Using a shovel and brush, remove the bulk of the ashes from the firebox into the ash bucket. Note that it is not necessary to keep a thin bed of ashes for the next fire.
- e) Store the ash bucket (with the tight-fitting lid) on a non-combustible surface, away from any combustible materials, pending final disposal.

7.2 Chimney Maintenance

Creosote – Formation and Need for Removal: When wood is burned slowly, it produces tar and other organic vapors, which combine with expelled moisture to form creosote. The creosote vapor condenses in the relatively cool chimney flue of a slow-burning fire. As a result, creosote residue accumulates on the flue lining. When ignited, this creosote makes an extremely hot fire. The chimney connector and chimney burning wood or coal should be inspected at least once every two months during the heating season to determine if creosote buildup has occurred. **Never use chemical cleaners for your chimney.**

WARNING: In the case of a chimney fire: 1) close the door of the fireplace; 2) set the burn rate of the Combustion Air Control to minimum (Section 5.3); 3) call the local fire department (if assistance is needed); 4) use a dry chemical fire extinguisher (baking soda or sand) to control the fire.

CAUTION: Never use water to extinguish a fire as it may result to dangerous steam explosions. Do not use the unit until the chimney is inspected and repaired (if needed) by a qualified technician.

NOTE: Do not clean the chimney when the unit is in operation/hot. Follow the instructions below for sweeping the chimney of an Elegance 42 fireplace:

- a) Open the door of the unit.
- b) From within the firebox, displace the chimney sweeping cap located in the baffle by lifting and moving it to the side.
- c) Close the door of the unit.
- d) Using an appropriately sized chimney sweeping brush, clean the chimney from any creosote buildup and other residues.
- e) Remove all the fallen/loose creosote/residues from the firebox and baffle system (a shop vacuum cleaner can be used for a thorough cleaning).
- f) Place back the chimney sweeping cap.

CAUTION: Operating the unit without the chimney sweeping cap in position will result in over firing and void the warranty.

7.3 Cleaning of Glass

It is recommended to clean the glass door with a soft cloth, dampened with a non-abrasive solution, such as soap and water.

CAUTION: Cleaning the glass with an abrasive solution will result in surface scratches, reducing glass transparency and resistance to impacts.

The glass of the door may be cleaned with commercial products intended for fireplaces and stoves. After cleaning the glass, remove any remaining solutions with a wet cloth to avoid chemical reactions at elevated temperatures (“cloudiness” on the surface of the glass).

CAUTION: Do not apply commercial cleaners or soap onto any painted surfaces as discoloration/peeling may occur.

NOTE: Never clean the glass when the unit is in operation or hot.

7.4 Replacing a Soapstone Panel

Four soapstone panels are assembled along the combustion chamber side walls (left, right, and back) allowing for a longer and a constant heat output. It is recommended to perform a weekly check on the condition of the panels to ensure proper operation of the unit. The soapstone panels need to be replaced when it is gravely chipped and/or cracked. Failure to replace the soapstone panel under the mentioned conditions will alter the performance of the unit. Refer to the following instructions for replacing a soapstone panel:

- a) Order the replacement kit for the Elegance 42 soapstone panel.
- b) Remove the door from the firebox and place it face down on a soft surface. NOTE: Rotate the handle to permit proper placing.
- c) Remove the bottom plate (hearth) by lifting it out of the firebox.
- d) Slide the back wall soapstone panel by tilting the bottom and swivelling them out of the top retainer.
- e) Replace the damaged soapstone panel if it was removed in step d) and position the panels back in place by swiveling them behind the top retainer.
- f) In the case of a damaged panel on the firebox side walls, replace the damaged panel and reposition the back wall panels by swiveling them behind the top retainer.
- g) Insert the bottom plate (hearth) and door to its original position.

WARNING: Do not operate the unit with any of the soapstone panels missing.

7.5 Replacing the Door Gasket

SUPREME FIREPLACES INC. assembles heat resistant graphite coated gaskets on the doors of all products, allowing for a proper seal of the unit at extreme temperatures (up to 1000°F). It is recommended to perform a weekly visual check on the condition of the $\frac{3}{4}$ " gasket to ensure proper operation of the unit. The $\frac{3}{4}$ " gasket of your door needs to be replaced when 1) the fibers of the gasket are coming loose, 2) the gasket is disintegrating and 3) the door is no longer airtight. Failure to replace a gasket under the mentioned conditions can cause irreversible damage to the unit due to over firing. Refer to the following instructions for replacing the $\frac{3}{4}$ " gasket:

- a) Order the replacement kit for the Elegance 42 $\frac{3}{4}$ " door gasket GSK_75_7.
- b) Remove the door from the firebox and place it face down on a soft surface. NOTE: Rotate the handle to permit proper placing.
- c) Cover all painted surfaces of the door to avoid damages.
- d) Using a wedging tool or flat head screwdriver, gently remove the old $\frac{3}{4}$ " gasket (along with the old silicone) from the door framing.
- e) Apply a bead of high temperature silicone along the groove of the metal brackets.

- f) Place the new 3/4" gasket around the door framing and cut any excess gasket with scissors. NOTE: It is recommended to tape the extremity of the gasket for a cleaner result.

Give significant amount of time to allow the silicone to cure before reinstalling the door onto the firebox. A slight resistance is expected when closing the door with the new 3/4" gasket; the door will close normally after the gasket has taken proper shape.

7.6 Replacing the Glass Panel

SUPREME FIREPLACES INC. uses a high quality 5mm thick Pyroceram III / Keralite ceramic glass that can withstand temperatures up to 1300°F. It is recommended to perform a weekly visual check for any damages or cracks on the glass.

WARNING: Avoid striking the glass and slamming the door shut. Never operate the unit with a broken or damage glass.

CAUTION: Wear protective gloves when handling broken glass. Refer to the following instructions for replacing the glass:

- a) Order the replacement kit for the Elegance 42 glass.
- b) Remove, clean, and dispose any broken glass from the door and the surroundings.
- c) Remove the door from the firebox and place it face down on a soft surface. NOTE: Rotate the handle to permit proper placing.
- d) Using a wedging tool or flat head screwdriver, gently remove the 3/4" gasket (along with the silicone) from the door framing.
- e) Using a wrench, remove the 8 nuts fastened around the door framing.
- f) Remove the first row of metal brackets (2 small and 2 big) and thin gasket.
- g) Remove the damage glass and clean thoroughly the door framing from loose glass fragments.
- h) Place the new glass onto the second row of thin gasket, centered with the door framing.
- i) Place back the first row of metal brackets (2 small and 2 big) and thin gasket.
- j) Using a wrench, fasten the 8 nuts around the door framing (do not over-tighten).
- k) Apply a bead of high temperature silicone along the groove of the metal brackets.
- l) Place the 3/4" gasket back into position.

Table 7-1: Parts List of Door Assembly

Item	Code	Description	Qty
1	DR2100-*	Door frame assembly	1
2	DR_25.75	Horizontal metallic bracket	4
2	DR_18.125	Vertical metallic bracket	4
3	PYRO_24.25X17	Pyroceram glass	1
4	GSK_31_7	Thin gasket	2
5	GSK_75_7	Thick gasket	1
6	SF0031	Door latch - Elegance	1
7	SF0032-01	Wood pull handle – Elegance	1

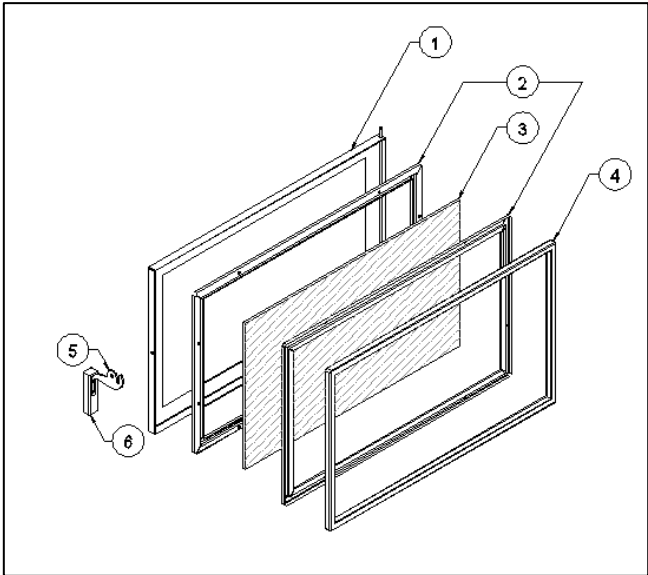


Figure7-1: Door Assembly Exploded View

Give significant amount of time to allow the silicone to cure before reinstalling the door onto the firebox.

7.7 Door Latch Maintenance

Lightly lubricate the hook of door latch (SF0031) with grease on a yearly basis to prevent abrasive wear. Occasionally inspect the bushing of the door latch. If required, adjust the tightness of the latch bolt using a 5/32" hex key.

7.8 Paint

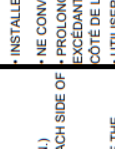
Paint touch-ups can be performed on the unit using a high temperature paint (in aerosol spray can format) by Stove Bright® in Metallic Black (#6309). Contact your local hearth shop for further information on purchasing this paint.

NOTE: Apply the paint in a well ventilated area. If applying paint to the door, properly cover/mask the glass of the door using painters tape and cardboard. Wait for paint to dry before operating the unit. Refer to the instructions on the label of the aerosol spray can for proper paint application. **WARNING: Never apply paint to the unit during operation or when it is hot.**

8 PARTS LIST

Code	Description
SF0032-01	Black Wood Door Handle
PYRO_24.875"X17"	Pyroceram III / Keralite 5mm Thick Door Glass, 24.875" X 17"
GSK_31_7	Graphite Coated Round Glass Gasket, 0.3125" thick, 7' length
GSK_75_7	Graphite Coated Square Door Gasket, 0.75" thick, 7' length
130CFM_BLW_BRK	130 CFM AC Tangential Blower, 115VAC, 60Hz, 56W, certified VDE, CSA, UL, CE
TOD	Therm-o-disc, 120VAC, 15A, certified UL/CSA
WALL_RHEO	In-Wall Variable Speed Control, 2.5 Amps, 115VAC – 50/60Hz, certified UL, ULC
PA5000-01	Combustion Air Control
CM0020	Cold Hand Key
CM0301-01	Removable Ashlip
38SF1175	Soapstone Slab, 16" X 12.625" X 1.25"
CM1210	Chimney Sweeping Cap
38SF1150	Baffle Assembly
LW1211	Wall Intake/Outtake Grille 12" X 11" – White
LV1610	Wall Linear Louvre 16" X 5" – Metallic Black
LV3210	Wall Linear Louvre 32" X 4.5" – Metallic Black
SF2290	Exterior Casing Sealing Plates for Condo Installations (<i>Traditional Configuration Only</i>)
MB_PAINT_AERO	Stove Bright High Temp Paint, 12oz in Metallic Black

9 CERTIFICATION LABEL

<p>MODEL NUMBER/NUMERO MODELE: 385FC AUGUST 2018 / AOUT 2018</p> <p>CERTIFIED TO: ULC S810 : UL 127</p> <p>ASTRA 38 <input type="checkbox"/> ELEGANCE 42 <input type="checkbox"/></p>	<p>U.S. ENVIRONMENTAL PROTECTION AGENCY Certified to comply with 2020 particulate emission standards using crib wood. Tested with EPA Method 209 crib wood standard at 1.85 g/m³ of emissions. This wood heater needs periodic inspection and repair for proper operation. Consult the owner's manual for further information. It is against federal regulations to operate this wood heater in a manner inconsistent with the operating instructions in the owner's manual. Certification tests were performed by POLYTEST SERVICES INC. with DIRIGO LABORATORIES, INC. as the third-party-certifier.</p>	<p>WH-385FC</p> <p>suprême</p> <p>3894 Jerry E., Montreal, QC H1Z 2G4, Canada</p> <table border="1"> <tr> <th colspan="2">DATE OF FABRICATION / DATE DE FABRICATION</th> </tr> <tr> <td>JA</td> <td>FE</td> </tr> <tr> <td>MR</td> <td>AR</td> </tr> <tr> <td>MA</td> <td>JN</td> </tr> <tr> <td>JL</td> <td>AU</td> </tr> <tr> <td>SE</td> <td>OC</td> </tr> <tr> <td>NO</td> <td>DE</td> </tr> <tr> <td>2018</td> <td>2019</td> </tr> <tr> <td>2020</td> <td>2021</td> </tr> <tr> <td>2022</td> <td>2023</td> </tr> </table>	DATE OF FABRICATION / DATE DE FABRICATION		JA	FE	MR	AR	MA	JN	JL	AU	SE	OC	NO	DE	2018	2019	2020	2021	2022	2023
DATE OF FABRICATION / DATE DE FABRICATION																						
JA	FE																					
MR	AR																					
MA	JN																					
JL	AU																					
SE	OC																					
NO	DE																					
2018	2019																					
2020	2021																					
2022	2023																					
<p>MINIMUM CLEARANCES TO COMBUSTIBLES DÉGAGEMENTS MINIMUMS AUX COMBUSTIBLES</p>  <p>ADJACENT SIDEWALL / MUR LATÉRAL 16" A) CHASE WIDTH / LARGEUR DE L'ENCEINTE 42" B) CHASE DEPTH / PROFONDEUR DE L'ENCEINTE 24" C) CEILING / PLAFOND 84" D) MANTEL FROM FLOOR / MANTEAUX DU PLANCHER 51.5" E) HEARTH DEPTH / PROFONDEUR DE L'ÂTRE 18" F) HEARTH FROM SIDE DOOR / ÂTRE DE LA PORTE 8"</p> <p>ELECTRICAL RATING - OPTIONAL ALIMENTATION ÉLECTRIQUE - OPTIONNEL</p> <table border="1"> <tr> <td>VOLTAGE / TENSION:</td> <td>120 V</td> </tr> <tr> <td>FREQUENCY / FRÉQUENCE</td> <td>60 Hz</td> </tr> <tr> <td>POWER / PUISSANCE</td> <td>112 W</td> </tr> </table>	VOLTAGE / TENSION:	120 V	FREQUENCY / FRÉQUENCE	60 Hz	POWER / PUISSANCE	112 W	<p>FOR USE WITH WOOD ONLY. DO NOT USE OTHER FUELS. USE ONLY IN ACCORDANCE WITH MANUFACTURER'S INSTALLATION AND OPERATING INSTRUCTIONS.</p> <ul style="list-style-type: none"> NOT SUITABLE FOR MANUFACTURED OR MOBILE HOMES. A NON-COMBUSTIBLE HEARTH EXTENSION OF MINIMUM THICKNESS 9 MM (5/16 IN.) EXCEEDING 457 MM (18 IN.) FROM THE DOOR FACE AND OF 200 MM (8 IN.) FROM EACH SIDE OF THE DOOR MUST BE INSTALLED. USE ONLY WITH 6 IN. (152 MM) DIAMETER CHIMNEY LISTED UL 103JULC S629 MINIMUM MAXIMUM CHIMNEY HEIGHT 15335 FEET MEASURED FROM THE BASE OF THE FIREPLACE. CAN BE CONNECTED TO A MASONRY CHIMNEY. SEE OWNER'S MANUAL FOR INSTALLATION INSTRUCTIONS. DO NOT CONNECT THIS UNIT TO A CHIMNEY SERVING ANOTHER APPLIANCE. DO NOT INSTALL A FIREPLACE INSERT OR OTHER COMPONENTS NOT LISTED FOR USE WITH THIS PRODUCT. FOR CLOSED DOOR OPERATION ONLY DO NOT OVERFIRE THE UNIT. IF HEATER OR CHIMNEY CONNECTOR GLOWS, YOU ARE OVERFIRING. REPLACE GALLS ONLY WITH CERAMIC 5 MM THICK ONLY. CAUTION: AIR IS NECESSARY FOR FIREPLACE OPERATION. PRIMARY AND SECONDARY COMBUSTION AIR OPENINGS MUST NOT BE OBSTRUCTED. WARNING: THIS FIREPLACE HAS NOT BEEN TESTED WITH AN UNVENTED GAS LOG SET. TO REDUCE THE RISK OF FIRE OR INJURY, DO NOT INSTALL AN UNVENTED GAS LOG SET INTO THE FIREPLACE. CONTACT LOCAL BUILDING CODE OR FIRE OFFICIALS ABOUT RESTRICTIONS AND INSTALLATION INSPECTION IN YOUR AREA. THE FIREPLACE AND CHIMNEY MUST BE INSPECTED AND CLEANED REGULARLY. 	<p>U.S. ENVIRONMENTAL PROTECTION AGENCY Certified to comply with 2020 particulate emission standards using crib wood. Tested with EPA Method 209 crib wood standard at 1.85 g/m³ of emissions. This wood heater needs periodic inspection and repair for proper operation. Consult the owner's manual for further information. It is against federal regulations to operate this wood heater in a manner inconsistent with the operating instructions in the owner's manual. Certification tests were performed by POLYTEST SERVICES INC. with DIRIGO LABORATORIES, INC. as the third-party-certifier.</p>	<p>POUR UTILISATION AVEC BOIS SEULEMENT, NE PAS UTILISER AVEC D'AUTRES COMBUSTIBLES.</p> <ul style="list-style-type: none"> INSTALLER ET UTILISER CONFORMÉMENT AU MANUEL D'UTILISATION DU FABRIQUANT. NE CONVIENT PAS AUX MAISONS MOBILES PROLONGEMENT DE L'ÂTRE AYANT UNE ÉPAISSEUR DE 8 MM (5/16 PO.) MINIMUM EXCÉDANT 450 MM (18 PO.) DU DEVANT DE LA PORTE ET DE 200 MM (8 PO.) DE CHAQUE CÔTÉ DE LA PORTE DOIT ÊTRE INSTALLÉ. UTILISER SEULEMENT AVEC UNE CHEMINÉE HOMOLOGUÉE SELON UL 103JULC S629 DE 6 PO. (152 MM) PARMIS LA LISTE DANS LE MANUEL DU PROPRIÉTAIRE. PEUT ÊTRE CONNECTÉ À UNE CHEMINÉE DE MAÇONNERIE. VOIR LE MANUEL DU PROPRIÉTAIRE POUR INSTRUCTIONS. NE PAS RACCORDER CET APPAREIL À UNE CHEMINÉE DESSERVANT UN AUTRE APPAREIL. NE PAS UTILISER UN Foyer ENCASTRABLE OU D'AUTRES COMPOSANTES NON-HOMOLOGUÉES POUR UTILISATION AVEC CE Foyer. Pour utilisation avec porte fermée seulement. NE PAS SURCHAUFFER L'UNITÉ. SI L'APPAREIL OU LE TUYAU ROUGIT, IL Y A UN SURCHAUFFEMENT. REPLACER LA VITRE AVEC UN VERRE CÉRAMIQUE DE 5 MM D'ÉPAISSEUR. ATTENTION : L'AIR EST NÉCESSAIRE AU FONCTIONNEMENT DU Foyer. LES ENTRÉES D'AIR DE COMBUSTION PRIMAIRE ET SECONDAIRE NE PEUVENT PAS ÊTRE OBSTRUÉES ATTENTION : CE Foyer N'A PAS ÉTÉ TESTÉ AVEC UN BRÛLEUR AU GAZ. POUR RÉDUIRE LES RISQUES D'INCENDIES OU DE BLESSURES, NE PAS INSTALLER UN BRÛLEUR AU GAZ DANS CE Foyer. CONTACTER LES AUTORITÉS DE VOTRE LOCALITÉ AYANT JURIDICTION CONCERNANT LES RESTRICTIONS ET INSPECTIONS D'INSTALLATION. LE Foyer ET LA CHEMINÉE DOIVENT ÊTRE INSPECTÉS ET NETTOYÉS RÉGULIÈREMENT. SE RÉFÉRER AU RÉPERTOIRE DES PRODUITS DE CONSTRUCTION POUR DES INFORMATIONS DÉTAILLÉES 	<p>FOR USE WITH WOOD ONLY. DO NOT USE OTHER FUELS. USE ONLY IN ACCORDANCE WITH MANUFACTURER'S INSTALLATION AND OPERATING INSTRUCTIONS.</p> <ul style="list-style-type: none"> NOT SUITABLE FOR MANUFACTURED OR MOBILE HOMES. A NON-COMBUSTIBLE HEARTH EXTENSION OF MINIMUM THICKNESS 9 MM (5/16 IN.) EXCEEDING 457 MM (18 IN.) FROM THE DOOR FACE AND OF 200 MM (8 IN.) FROM EACH SIDE OF THE DOOR MUST BE INSTALLED. USE ONLY WITH 6 IN. (152 MM) DIAMETER CHIMNEY LISTED UL 103JULC S629 MINIMUM MAXIMUM CHIMNEY HEIGHT 15335 FEET MEASURED FROM THE BASE OF THE FIREPLACE. CAN BE CONNECTED TO A MASONRY CHIMNEY. SEE OWNER'S MANUAL FOR INSTALLATION INSTRUCTIONS. DO NOT CONNECT THIS UNIT TO A CHIMNEY SERVING ANOTHER APPLIANCE. DO NOT INSTALL A FIREPLACE INSERT OR OTHER COMPONENTS NOT LISTED FOR USE WITH THIS PRODUCT. FOR CLOSED DOOR OPERATION ONLY DO NOT OVERFIRE THE UNIT. IF HEATER OR CHIMNEY CONNECTOR GLOWS, YOU ARE OVERFIRING. REPLACE GALLS ONLY WITH CERAMIC 5 MM THICK ONLY. CAUTION: AIR IS NECESSARY FOR FIREPLACE OPERATION. PRIMARY AND SECONDARY COMBUSTION AIR OPENINGS MUST NOT BE OBSTRUCTED. WARNING: THIS FIREPLACE HAS NOT BEEN TESTED WITH AN UNVENTED GAS LOG SET. TO REDUCE THE RISK OF FIRE OR INJURY, DO NOT INSTALL AN UNVENTED GAS LOG SET INTO THE FIREPLACE. CONTACT LOCAL BUILDING CODE OR FIRE OFFICIALS ABOUT RESTRICTIONS AND INSTALLATION INSPECTION IN YOUR AREA. THE FIREPLACE AND CHIMNEY MUST BE INSPECTED AND CLEANED REGULARLY. 	<p>Hot while in operation. Do not touch. Keep children, clothing, and furniture away. Contact instructions.</p> <p>Chaud pendant fonctionnement. Ne pas toucher. Garder les enfants, les vêtements et les meubles hors de portée. Risque de brûlures au contact. Voir la fiche signalétique et instructions.</p>											
VOLTAGE / TENSION:	120 V																					
FREQUENCY / FRÉQUENCE	60 Hz																					
POWER / PUISSANCE	112 W																					



10 WARRANTY

SUPREME FIREPLACES INC. warrants that the factory-built fireplaces, fireplace inserts, and stoves will be free from defects in material and workmanship, under normal use and service, for a period of **ten (10) years** from the date of purchase.

This warranty is only intended for the original retail purchaser and is non-transferable, given that the product was purchased from SUPREME FIREPLACES INC. or one of its authorized dealers. This warranty is conditional upon correct installation and intended use of the products and does not cover damages caused by misuse. This warranty shall be void if the fireplace, fireplace insert or wood stove is not installed by an authorized qualified technician in accordance with the installation instructions in the manual provided with this product. The installation must meet local and national building codes.

DESCRIPTION	COVERAGE	LABOUR
Patented combustion air control, chimney sweeping cap, door handle (breakage only), door latch assembly, podium structure of wood stove series, legs of wood stove series, circulating chamber of fireplace insert series, bimetallic strip of combustion air control, removable ash lip, surround structure, cold hand key, wall intake and outtake grilles of gravity kit	10 years	2 years
Baffle (excluding bypass mechanism), bottom plate, stainless steel components, cast iron panel, firebox soapstone slab, exterior door frame, liner adaptor of Fusion series	5 years	2 years
Painted and plated parts, door gasket	2 years	1 year
Electrical components	2 years	90 days
Glass panel (thermal breakage only)	90 days	90 days

Please register your SUPREME product online at <https://supremem.com/warranty.php> to ensure full warranty coverage. Prior to contacting your dealer, have the following information available for warranty claim processing:

- Customer information (name, telephone number, and address)
- Proof of purchase
- Model name and serial number (see Section 2.7)
- Detailed description of defected component
- Pictures (minimum of three)
- Videos of the issues

In the case of a return for repair or replacement, it is the responsibility of the customer to adequately package the component/unit to prevent further damage during transport. Items sent to SUPREME FIREPLACES INC. without an open warranty claim will be returned to the sender.

WARRANTY LIMITATIONS:

Abuse and improper use of the unit may cause irreversible damage and will void the warranty.

Transportation, packaging, and other related costs or expenses arising from the replacement or repair of defective parts will not be covered by this warranty, nor will SUPREME FIREPLACES INC. assume responsibility for them.

Freight related damages of products that are shipped directly from the SUPREME INC. warehouse are covered under warranty if they were indicated on the Bill of Lading from the carrier and SUPREME FIREPLACES INC. is notified within 48 hours.

This warranty is void for any fireplace, wood stove or fireplace insert that wasn't purchased from an authorized SUPREME FIREPLACES INC. dealer.

The warranty does not cover any physical or esthetic damages that were caused by glass cleaners, soap, or any other cleaning products.

Soapstone is a natural material. Normal wear and tear of the soapstone may result in surface fractures or small hairline cracks. Since these do not affect the functionality nor the integrity of the product, the warranty only covers fractures that are over 3 mm thick and spread across one extremity of the slab to the other.

Deformations, discoloration, corrosion and scratches are not covered under warranty.

All parts are limited to one replacement per warranty term.

This warranty does not cover the labor or other related costs for the removal of a product already installed, the installation of a replacement product and the shipping and handling for the return of a product or for the replacement part.

This warranty applies to normal residential use only. Damages caused by acts nature or natural disasters, accidents, over firing, misuse, abuse, negligence, improper installation, alterations or substitutions of components of the fireplace, abrasives, chemical cleaners, and negligence are not covered by this warranty. Burning anything other than natural wood will damage your fireplace and void the warranty.

This warranty is void for any product that has been moved from its original installation location.

SUPREME FIREPLACES INC. will not be responsible for environmental conditions and drafting issues such as inadequate vents or ventilation, excessive venting configurations or negative air pressures which may or may not be caused by geographic elements, exterior elements and/or mechanical systems such as exhaust fans, furnaces, clothes dryers, etc.

The noise generated by the expansion and contraction of the metallic components is normal as they heat up and cool down and are not covered under the warranty.

Labour covered under the warranty must not exceed the retail price of the part being replaced, are based on a predetermined rate amount found in the dealer program, exclude dealer travel costs and are disbursed to the dealer.

The manufacturer at its discretion may decide to repair or replace any part or unit after inspection and investigation of the defect. The manufacturer may, at its discretion, fully discharge all obligations with respect to this warranty by refunding the wholesale price of the defective part(s).

The manufacturer shall in no event be responsible for any consequential damages of any nature, which are in excess of the original purchase price of the product.

Repairs and/or replacements of parts and labor covered under warranty must be preauthorized by SUPREME FIREPLACES INC.

A proof of purchase (copy of the invoice) is required for all warranty claims, as well as the completed warranty claim form and pictures/videos of the issue.

This **Limited Warranty** is effective on all appliances sold after May 31st, 2022, and supersedes any and all warranties currently in existence.